

Lee County Board Of County Commissioners
Agenda Item Summary

Blue Sheet No. 20050169

1. REQUESTED MOTION:

ACTION REQUESTED: Approve Change Order No. 2 to Contract 2872 with Westwind Contracting for B-04-31, Bayshore Road (SR 78) Watermain Relocation, for the Utilities Division, in the amount of \$119,080.67.

WHY ACTION IS NECESSARY: Board Approval Required.

WHAT ACTION ACCOMPLISHES: To provide funding and formal approval for corrective activities needed for unforeseen situations and to improve constructability.

2. DEPARTMENTAL CATEGORY:

10 Utilities
COMMISSION DISTRICT #: 4

C10a

3. MEETING DATE:

02-22-2005

4. AGENDA:

- CONSENT
- ADMINISTRATIVE
- APPEALS
- PUBLIC
- WALK ON
- TIME REQUIRED:

5. REQUIREMENT/PURPOSE:

(Specify)

- STATUTE
- ORDINANCE
- ADMIN. CODE AC-4-4
- OTHER

6. REQUESTOR OF INFORMATION:

- A. COMMISSIONER
- B. DEPARTMENT Public Works
- C. DIVISION Utilities
- BY: Rick Diaz, P.E., Utilities Director

[Signature]
2/8/05

7. BACKGROUND:

At the Board meeting August 24, 2004, the Board entered into a contract for B-04-31 Bayshore Road (S.R. 78) Watermain Relocation to Westwind Contracting, Inc., for an original contract amount of \$3,105,594.00; to do the removal of approximately 17,620 LF of various existing DIP and PVC potable water mains up to 24 inches in diameter and replace with approximately 13,804 LF of DIP and PVC Mains up to 30 inches in diameter in conjunction with the widening of 2 miles of Bayshore Road (SR 78) by the Florida Department of Transportation.

Approval is required for this Change Order No. 2 under B-04-31 Bayshore Road Watermain Relocation in the amount of \$119,080.67 - length adjustments for four contracted HDPE directional borings, substitution of HDPE directional borings for seven contracted open cut installations, installation of two back taps, substitution of traditional jack and bore installations for two contracted open cut installations, and installation of one conflict box.

Funds are available in account string: 20726648730.506540

Attachments: Change Order #2 for Execution (1 original)

8. MANAGEMENT RECOMMENDATIONS:

9. RECOMMENDED APPROVAL:

A Department Director	B Purchasing or Contracts	C Human Resources	D Other	E County Attorney	F Budget Services <i>6/9/04 2/9/05</i>				G County Manager
					OA	OM	Risk	GC	
<i>[Signature]</i> 2-7-05	<i>[Signature]</i> 2-7-05	N/A	<i>[Signature]</i>	S. Coovert	<i>[Signature]</i>	<i>[Signature]</i>	<i>[Signature]</i>	<i>[Signature]</i>	<i>[Signature]</i> 2-7-05

10. COMMISSION ACTION:

- APPROVED
- DENIED
- DEFERRED
- OTHER

Rec. by CoAtty
 Date: *2/8/05*
 Time: *1:30*
 Forwarded To:

RECEIVED BY
 COUNTY ADMIN: *[Signature]*
 2/9/05
 10:00 AM 509
 COUNTY ADMIN
 FORWARDED TO: *[Signature]*
 2/9/05

(Prepared by Contracts)

LEE COUNTY CONSTRUCTION CONTRACT
CHANGE ORDER

NO.: 2

(A Change Order Requires Approval by the Department Director for Expenditures Under \$25,000 or Approval by the County Manager for Expenditures Between \$25,000 and \$50,000 or Approval by the Board of County Commissioners over \$50,000)

CONTRACT/PROJECT NAME: Bayshore Road (SR 78) Slater Road to I-75

CONTRACTOR: Westwind Contracting, Inc. PROJECT NO.: (LCU 7266) Account #: _____

CONTRACT NO.: 2872 BID NO.: B-04-31

CHANGE REQUESTED BY: Lee County Utilities Div (Mike Crumpton) DATE OF REQUEST: 1-14-05

Upon the completion and execution of this change order by both parties to the Contract the Contractor is authorized to and shall proceed to make the following changes in the Contract Documents:

Description: Length adjustments for four contracted HDPE directional borings, substitution of HDPE directional borings for seven contracted open cut installations, installation of two back taps, substitution of traditional jack and bore installations for two contracted open cut installations, and installation of one conflict box.

Propose if change order: To provide funding and formal approval for corrective activities needed for unforeseen situations and to improve constructability.

Attachments (List documents supporting change)

Field Directive Change # 2	\$ 2,862.00	0 Days
Field Directive Change # 3	\$ 0.00	0 Days
Field Directive Change # 4	\$ 9,540.00	0 Days
Field Directive Change # 5	\$17,119.05	1 Days
Field Directive Change # 6 (canceled)	\$ 0.00	0 Days
Field Directive Change # 7	\$13,110.62	4 Days
Field Directive Change # 8	\$28,320.00	1 Days
Field Directive Change # 9	\$24,459.00	3 Days
Field Directive Change #10	\$23,670.00	3 Days

CHANGE IN CONTRACT PRICE:

CHANGE IN CONTRACT TIME:

Original Contract Price

Original Contract Time

\$3,105,594.00

270
Calendar Days

Previous Change Orders No. 0 to No. 1

Net change from previous change orders

\$ 7,860.00

0
Calendar Days

Contract Price prior to this change order

Contract Time prior to this change order

\$3,113,454.00

270
Calendar Days

Net Increase (Decrease)
of this change order

Net Increase (Decrease)
of this change order

\$ 119,080.67

12
Calendar Days

Contract Price with all
approved Change Orders

Contract Time with all
approved Change Orders

\$3,232,534.60

282
Calendar Days

It is understood and agreed that the acceptance of this modification by the CONTRACTOR constitutes an accord and satisfaction, and represents payment in full (both time and money) for all costs arising out of, or incidental to, the above mentioned change.

RECOMMENDED:

By: [Signature] 1/18/05
Consultant (if applicable) Date

By: [Signature] 1/21/05
County Project Manager Date

By: [Signature] 2/8/05
Department Director Date

[Signature] 2/7/05
Contracts Management Date

ACCEPTED:

By: [Signature]
Contractor

ROBERT A. PARKS, III
(PRINT NAME)

Date Accepted: 1/24/05

Corporate seal:

COUNTY APPROVAL:

By: _____
Department Director
(Under \$25,000)

Date Approved: _____

By: _____
County Manager
(Under \$50,000)

Date Approved: _____

By: _____

Chairman
Board of County Commissioners
(over \$50,000)

Date Approved: _____

APPROVED:

County Attorney's Office Date

CMO:011
09/25/01

LEE COUNTY CONSTRUCTION CONTRACT
FIELD DIRECTIVE CHANGE

NO.: 2

Project No.: 207266 Bid No.: B-04-31 Contract No.: 2872

Contract/Project Name: Bayshore Rd. (Sr 78) Watermain Relocation (Slater Rd. to I-750)

Contractor: Westwind Contracting, Inc.

Request By: Rick Camp Date of Request: 11/23/04

1. **Directive:** The COUNTY hereby directs and authorizes the following change(s) in the work required by the contract documents be made and the CONTRACTOR is hereby directed to proceed promptly. In the event that as a result of the CONTRACTOR accepting this Field Directive Change, there are determined to be change(s) in the Contract (1) scope, (2) cost, or (3) time. Subsequent to the CONTRACTOR finalizing the change(s) in the work required, and upon receipt and acceptance by the COUNTY of a written and documented claim by the CONTRACTOR, such changes shall be incorporated in a Change Order which is subject to approval by the COUNTY and the CONTRACTOR.

2. Description of the change(s):
24" HDPE Length Adjustments for Directional Bore @ Sta. 232+40 to Sta. 233+82 (Plan horz. length =142 lf) Adjusted length (actual) = 160 lf.

*Is thru the
only location*

3. Purpose or Intent of Field directive Change:
Additional actual length required to achieve a working depth and radius of 24" HDPE

4. Attachments: (List documents supporting change)
See attached worksheet

5. Not-to-exceed limits applicable to this Field Directive Change:
Unless specifically authorized by the COUNTY by a written amendment to this Field Directive Change, the CONTRACTOR shall not exceed the following limits:

A. Estimated not-to-exceed increase (decrease) in the contract price: \$2,862.00

B. Estimated not-to-exceed increase (decrease) in completion time in calendar days:

6. **Claim(s) resulting from Field Directive Change**
In the event that, as a result of the CONTRACTOR providing or performing the change(s) in the required construction work as set forth in this Field Directive Change, the CONTRACTOR determines that consideration should be given to (1) changing the contract scope, (2) increasing the CONTRACTOR'S compensation, or (3) increasing the contract time; the CONTRACTOR shall in accordance with the provisions of Articles 11, 12 and 13 of the Contract Document, submit a written claim to the COUNTY requesting that a Change Order be executed incorporating changes in the (1) contract scope, (2) CONTRACTOR compensation, or (3) contract time as appropriate. Such a claim shall include documentation to support the claim.

It is understood and agreed by the COUNTY in authorizing and by the CONTRACTOR in accepting this Field Directive Change that the following methods shall be used as the basis for considering the issuance of a contract Change Order or any CONTRACTOR claim arising out of this Field Directive Change:

A. Method of Determining Change in Contract Price: Time and Materials B. Method of Determining Change in Contract Time: Contractor's Records

- Unit Prices
- Cost plus fixed fee
- Other

- Consultant's Records
- Other

FIELD DIRECTIVE CHANGE NO.: 2

(continued)

7. ACCEPTANCE:

12/3/04
10:58

COUNTY AUTHORIZATION

By THOMAS A. MAMOTT
Printed Name

By 
Signature

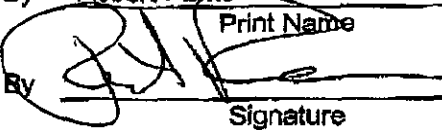
Title/Position ENGINEER MANAGER I


Date 12/3/04

CONTRACTOR AUTHORIZATION

By Westwind Contracting, Inc.
Contractor's Business Name

By Robert Parks
Print Name

By 
Signature


Witness

Title/Position Exec. VP

Date 11/23

Corporate Seal (Affix if applicable, if not enter "None")

Copies Distributed to:

- Contractor (Signed Original)
- Director Project Sponsoring Department (Signed Original)
- Project Manager
- Consultant (if applicable)
- Contracts Management

Field Directive Worksheet

HDPE Dir. Bore #3 (changes per onsite meeting 11/23/04)

FDC 2		Unit / lf	Unit price	Total
Add	24" HDPE Dir. Bore	18.00	\$240.00 ✓	\$4,320.00
Deduct	24" DIP	-18.00	\$81.00 ✓	<u>(\$1,458.00)</u>
Total Add for FDC 2		—————→		\$2,862.00 ✓

LEE COUNTY CONSTRUCTION CONTRACT
FIELD DIRECTIVE CHANGE

NO.: 3

Project No.: LCU 7266 Bid No.: B-04-31 Contract No.: 2872

Contract/Project Name: Bayshore Rd. (Sr 78) Watermain Relocation (Slater Rd. to I-750)

Contractor: Westwind Contracting, Inc.

Request By: Rick Camp Date of Request: 1/11/04

1. Directive: The COUNTY hereby directs and authorizes the following change(s) in the work required by the contract documents be made and the CONTRACTOR is hereby directed to proceed promptly. In the event that as a result of the CONTRACTOR accepting this Field Directive Change, there are determined to be change(s) in the Contract (1) scope, (2) cost, or (3) time. Subsequent to the CONTRACTOR finalizing the change(s) in the work required, and upon receipt and acceptance by the COUNTY of a written and documented claim by the CONTRACTOR, such changes shall be incorporated in a Change Order which is subject to approval by the COUNTY and the CONTRACTOR.
2. Description of the change(s):
HDPE Directional Bores in leu of Jack & Bores @ 7 locations, crossing Bayshore Road.
3. Purpose or Intent of Field directive Change:
Original design would not allow watermain construction in phased segments. Proposed changes now permit entire water system to be constructed and placed into service prior to removal of existing watermain. Also, the use of Jack & Bores from the Alternate Bid Schedule will not be needed at these locations.
4. Attachments: (List documents supporting change)
See attached schedule
5. Not-to-exceed limits applicable to this Field Directive Change:
Unless specifically authorized by the COUNTY by a written amendment to this Field Directive Change, the CONTRACTOR shall not exceed the following limits:
 - A. Estimated not-to-exceed increase (decrease) in the contract price: \$0.00
 - B. Estimated not-to-exceed increase (decrease) in completion time in calendar days: 0
6. Claim(s) resulting from Field Directive Change
In the event that, as a result of the CONTRACTOR providing or performing the change(s) in the required construction work as set forth in this Field Directive Change, the CONTRACTOR determines that consideration should be given to (1) changing the contract scope, (2) increasing the CONTRACTOR's compensation, or (3) increasing the contract time; the CONTRACTOR shall in accordance with the provisions of Articles 11, 12 and 13 of the Contract Document, submit a written claim to the COUNTY requesting that a Change Order be executed incorporating changes in the (1) contract scope, (2) CONTRACTOR compensation, or (3) contract time as appropriate. Such a claim shall include documentation to support the claim.

It is understood and agreed by the COUNTY in authorizing and by the CONTRACTOR in accepting this Field Directive Change that the following methods shall be used as the basis for considering the issuance of a contract Change Order or any CONTRACTOR claim arising out of this Field Directive Change:

A. Method of Determining Change in Contract Price:

- Time and Materials
- Unit Prices
- Cost plus fixed fee
- Other

B. Method of Determining Change in Contract Time:

- Contractor's Records
- Consultant's Records
- Other

7. ACCEPTANCE:

COUNTY AUTHORIZATION

By THOMAS A. MAJORITY
Printed Name

By 
Signature

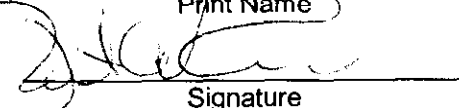
Title/Position ENGINEER MANAGER

Date 1/12/05

CONTRACTOR AUTHORIZATION

By Westwind Contracting, Inc.
Contractor's Business Name

By Robert A. Parks, III
Print Name

By 
Signature

Witness

Title/Position Exec. VP

Date 1/11/05

Corporate Seal (Affix if applicable, if not enter "None")

Copies Distributed to:

- Contractor (Signed Original)
- Director Project Sponsoring Department (Signed Original)
- Project Manager
- Consultant (if applicable)
- Contracts Management



WESTWIND CONTRACTING, INC.

SR 78 Bayshore Road

Ph. 239 731-5731 FAX 239-731-8731

Field Directive Schedule

~ FDC 3r ~

HDPE Dir. Bore Road Crossings

Sta.	Description	Carrier Size	Casing Size	Pipe Length	Unit
168+77	HDPE DR II	10"	18"	137.00	LF
157+25	HDPE DR II	12"	20"	120.00	LF
176+62	HDPE DR II	14"	24"	138.00	LF
210+23	HDPE DR II	14"	24"	120.00	LF
217+60	HDPE DR II	14"	24"	120.00	LF
261+12	HDPE DR II	10"	20'	132.00	LF
265+80	HDPE DR II	14"	24'	111.00	LF

9/20/11

LEE COUNTY CONSTRUCTION CONTRACT
FIELD DIRECTIVE CHANGE

NO.: 4

Project No.: 207266 Bid No.: B-04-31 Contract No.: 2872

Contract/Project Name: Bayshore Rd. (Sr 78) Watermain Relocation (Slater Rd. to I-750)

Contractor: Westwind Contracting, Inc.

Request By: Rick Camp Date of Request: 12/2/04

1. Directive: The COUNTY hereby directs and authorizes the following change(s) in the work required by the contract documents be made and the CONTRACTOR is hereby directed to proceed promptly. In the event that as a result of the CONTRACTOR accepting this Field Directive Change, there are determined to be change(s) in the Contract (1) scope, (2) cost, or (3) time. Subsequent to the CONTRACTOR finalizing the change(s) in the work required, and upon receipt and acceptance by the COUNTY of a written and documented claim by the CONTRACTOR, such changes shall be incorporated in a Change Order which is subject to approval by the COUNTY and the CONTRACTOR.

2. Description of the change(s):
24" HDPE Length Adjustments for Directional Bore @ Sta. 164+40 to Sta. 166+00 = +50 lf
Sta. 187+48 to 189+38 = +10 lf (Plan horz. length =350 lf) Adjusted length (actual) = 410 lf.

3. Purpose or Intent of Field directive Change:
Additional actual length required to achieve a working depth and radius of 24" HDPE

4. Attachments: (List documents supporting change)
See attached worksheet

5. Not-to-exceed limits applicable to this Field Directive Change:
Unless specifically authorized by the COUNTY by a written amendment to this Field Directive Change, the CONTRACTOR shall not exceed the following limits:

A. Estimated not-to-exceed increase (decrease) in the contract price: \$9,540.00

B. Estimated not-to-exceed increase (decrease) in completion time in calendar days: 0

6. Claim(s) resulting from Field Directive Change
In the event that, as a result of the CONTRACTOR providing or performing the change(s) in the required construction work as set forth in this Field Directive Change, the CONTRACTOR determines that consideration should be given to (1) changing the contract scope, (2) increasing the CONTRACTOR's compensation, or (3) increasing the contract time; the CONTRACTOR shall in accordance with the provisions of Articles 11, 12 and 13 of the Contract Document, submit a written claim to the COUNTY requesting that a Change Order be executed incorporating changes in the (1) contract scope, (2) CONTRACTOR compensation, or (3) contract time as appropriate. Such a claim shall include documentation to support the claim.

It is understood and agreed by the COUNTY in authorizing and by the CONTRACTOR in accepting this Field Directive Change that the following methods shall be used as the basis for considering the issuance of a contract Change Order or any CONTRACTOR claim arising out of this Field Directive Change:

A. Method of Determining Change in Contract Price: Time and Materials
B. Method of Determining Change in Contract Time: Contractor's Records

- Unit Prices
- Cost plus fixed fee
- Other

- Consultant's Records
- Other

FIELD DIRECTIVE CHANGE NO.: 4

(continued)

7. ACCEPTANCE:

12/3/04
10:58

COUNTY AUTHORIZATION

By THOMAS A. MAMOTT
Printed Name

By 
Signature

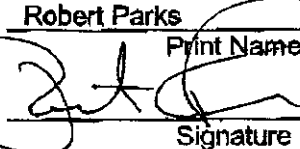
Title/Position ENGINEER MANAGER I

Date 12/3/04

CONTRACTOR AUTHORIZATION

By Westwind Contracting, Inc.
Contractor's Business Name

By Robert Parks
Print Name

By 
Signature

Witness

Title/Position Exec. VP

Date 12/2/04

Corporate Seal (Affix if applicable, if not enter "None")

Copies Distributed to:

- Contractor (Signed Original)
- Director Project Sponsoring Department (Signed Original)
- Project Manager
- Consultant (if applicable)
- Contracts Management

Field Directive Worksheet

HDPE Dir. Bore #1 & 2 (changes per onsite meeting 11/23/04)

			Unit / lf	Unit price	Total
Bore #1	FDC 4				
	Add	24" HDPE Dir. Bore	50.00	\$240.00	\$12,000.00
	Deduct	24" DIP	-50.00	\$81.00	(\$4,050.00)
		Total Add for Bore #1	—————→		\$7,950.00
Bore #2			Unit / lf	Unit price	Total
	Add	24" HDPE Dir. Bore	10.00	\$240.00	\$2,400.00
	Deduct	24" DIP	-10.00	\$81.00	(\$810.00)
		Total Add for Bore #2	—————→		\$1,590.00
		Total Add for FDC-4	—————→		\$9,540.00

LEE COUNTY CONSTRUCTION CONTRACT
FIELD DIRECTIVE CHANGE

NO.: 5
2872

Project No.: LCU 7266 Bid No.: B-04-31 Contract No.: _____

Contract/Project Name: Bayshore Rd. (Sr 78) Watermain Relocation (Slater Rd. to I-750)

Contractor: Westwind Contracting, Inc.

Request By: Rick Camp Date of Request: 1/11/05

1. **Directive:** The COUNTY hereby directs and authorizes the following change(s) in the work required by the contract documents be made and the CONTRACTOR is hereby directed to proceed promptly. In the event that as a result of the CONTRACTOR accepting this Field Directive Change, there are determined to be change(s) in the Contract (1) scope, (2) cost, or (3) time. Subsequent to the CONTRACTOR finalizing the change(s) in the work required, and upon receipt and acceptance by the COUNTY of a written and documented claim by the CONTRACTOR, such changes shall be incorporated in a Change Order which is subject to approval by the COUNTY and the CONTRACTOR.

2. Description of the change(s):
Potable Water & Storm Sewer Conflict at Sta. 214+20

3. Purpose or Intent of Field directive Change:
To allow installation of (1) necessary conflict structure.

4. Attachments: (List documents supporting change)
See attached worksheet

5. Not-to-exceed limits applicable to this Field Directive Change:
Unless specifically authorized by the COUNTY by a written amendment to this Field Directive Change, the CONTRACTOR shall not exceed the following limits:

A. Estimated not-to-exceed increase (decrease) in the contract price: \$17,119.05

B. Estimated not-to-exceed increase (decrease) in completion time in calendar days: 1

6. Claim(s) resulting from Field Directive Change
In the event that, as a result of the CONTRACTOR providing or performing the change(s) in the required construction work as set forth in this Field Directive Change, the CONTRACTOR determines that consideration should be given to (1) changing the contract scope, (2) increasing the CONTRACTOR's compensation, or (3) increasing the contract time; the CONTRACTOR shall in accordance with the provisions of Articles 11, 12 and 13 of the Contract Document, submit a written claim to the COUNTY requesting that a Change Order be executed incorporating changes in the (1) contract scope, (2) CONTRACTOR compensation, or (3) contract time as appropriate. Such a claim shall include documentation to support the claim.

It is understood and agreed by the COUNTY in authorizing and by the CONTRACTOR in accepting this Field Directive Change that the following methods shall be used as the basis for considering the issuance of a contract Change Order or any CONTRACTOR claim arising out of this Field Directive Change:

A. Method of Determining Change in Contract Price: B. Method of Determining Change in Contract Time:
 Time and Materials Contractor's Records
 Unit Prices Consultant's Records

7. ACCEPTANCE:

COUNTY AUTHORIZATION

By THOMAS A. MARUCCI
Printed Name

By 
Signature


Title/Position ENGINEER MANAGER

Date _____

CONTRACTOR AUTHORIZATION

By Westwind Contracting, Inc.
Contractor's Business Name

By Rick Camp
Print Name

By 
Signature


Witness

Title/Position Proj. Engineer

Date 12/23/04

Corporate Seal (Affix if applicable, if not enter "None")

Copies Distributed to:

- Contractor (Signed Original)
- Director Project Sponsoring Department (Signed Original)
- Project Manager
- Consultant (if applicable)
- Contracts Management

WESTWIND CONTRACTING, INC.

**SR 78 Bayshore Road
Conflict Structure @ Sta.241+20**

COST ANALYSIS
EXTRA WORK

DATE: 12/22/2004

PROJECT: **SR 78 - Bayshore Road**
DESCRIPTION OF WORK: **Furnish & Install (1) Conflict Structure @ Sta. 214+20**

LABOR DESCRIPTION	RATE	OT HOURS	AMOUNT
Foreman	40.00	8	320.00
Excavator Oper.	15.50	8	124.00
Loader Operator	13.00	8	104.00
Pipe Layer	12.00	8	96.00
Tail Man	12.00	8	96.00
Laborer	11.00	8	88.00
OT Hours			
Foreman	60.00	2	120.00
Excavator Oper.	23.25	2	46.50
Loader Operator	19.50	2	39.00
Pipe Layer	18.00	2	36.00
Pipe Layer	18.00	2	36.00
Pipe Layer	16.50	2	33.00
SUBTOTAL LABOR			1138.50
PTI		35%	398.48
MARK-UP		25%	384.24
TOTAL LABOR			1921.22

SUBCONTRACT DESCRIPTION	UNIT	RATE	QTY	AMOUNT
Bob's Barricades				0.00
Type 2 barricades	day	\$0.24	10	2.40
				0.00
				0.00
				0.00
				0.00
SUBTOTAL SUB				2.40
MARK-UP 10%				0.24
TOTAL SUBCONTRACT				2.64

EQUIPMENT DESCRIPTION	RATE	HOURS	AMOUNT
# 7349 400 Excavator	\$150.00	10	1500.00
# 7374 380 Loader	\$51.00	10	510.00
Plate Compactor	\$20.00	10	200.00
Demo Saw	\$10.00	10	100.00
Service Truck	\$15.00	10	150.00
			0.00
			0.00
			0.00
			0.00
			0.00
			0.00
SUB EQUIP COST			2460.00
MARKUP		7.50%	184.50
TOTAL			2644.50

MATERIAL DESCRIPTION	UNIT	RATE	QTY	AMOUNT
#57 Stone	ton	\$12.72	21.5	273.48
4'x8' Conflict Box	ea	\$2,281.00	1	2281.00
Sand / Cement	LS	\$100.00	1	100.00
Brick / Misc.	LS	\$100.00	1	100.00
				0.00
				0.00
SUBTOTAL MAT'L				2754.48
SALES TAX 6.00%				165.27
MARK-UP 17.50%				510.96
TOTAL MATERIALS				3430.70

MISC. COST ADD BOND PREMIUM 119.99
ADD OTHER

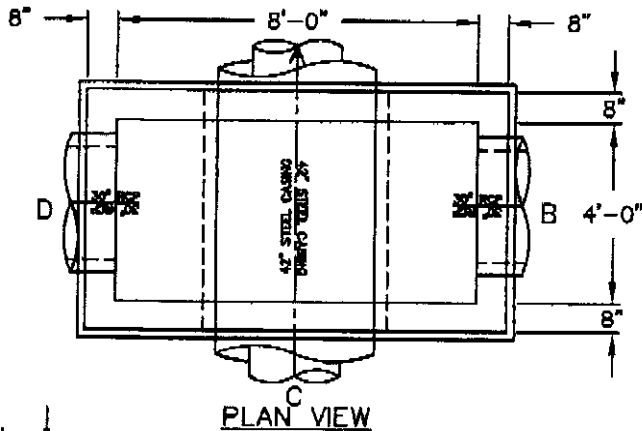
TOTAL EST. COST OF WORK	17,119.05
TOTAL EST. QUANTITY OF WORK	1.00
COST PER UNIT	17,119.05
TIME TO COMPLETE	1 day

BID ITEM DESCRIPTION	UNIT	RATE	QTY	AMOUNT
				0.00
42" Steel Spl't. Case	LF	\$450.00	20	9000.00
				0.00
TOTAL BID ITEM				9000.00

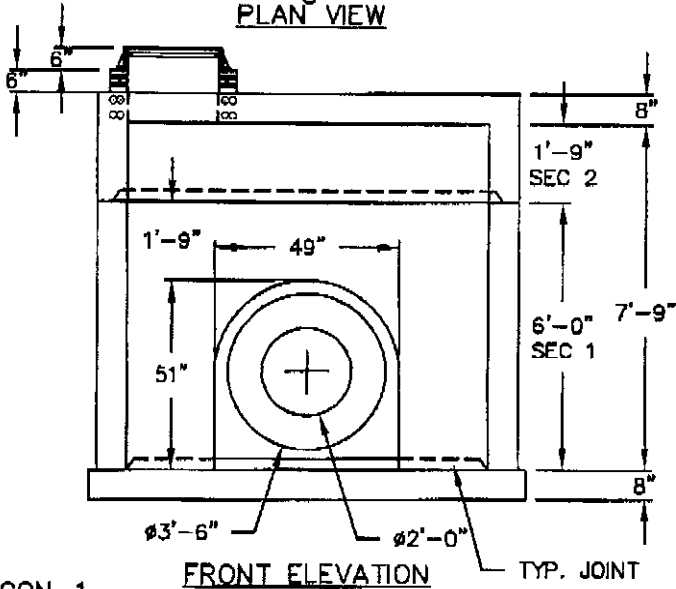
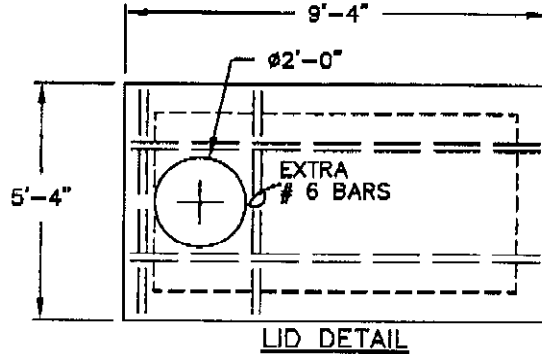
SUBTOTAL 16999.06

TOP ELEVATION: 13.00
 BOTTOM ~~ELEVATION~~ ELEVATION: 3.54
 CUT HEIGHT: 9.46
 ADJUSTMENT: -1.67
 CALCULATED HEIGHT: 7.79

VERIFY
 BOTTOM
 ELEVATION



NOTES:
 1. 8" LID CAST W/ SEC 2 W/ 2'-0" Ø OFFSET.
 2. INSPECT & STAMP: YES.



PROPERTY OF OLDCASTLE PRECAST, NOT TO BE REPRODUCED WITHOUT WRITTEN CONSENT.

CON-1
 STRUCTURE TYPE "CONFLICT BOX" FDOT INDEX 200 & 201 4000 PSI CONC. TYPE II CEMENT

WALLS	PIPE SIZE	PIPE INVERT	HOLE SIZE	HOLE UP	ITEM CODE	WEIGHTS	REINFORCEMENT
A	24" WM W/ 42" CASING	4.75	51" Hx49" W DOGHOUSE	SEC 1 ØBASE	BASE:	1.36 CYDS 5,322	#4 @ 10 OCEW
B	30" RCP	6.70	42"	SEC1&2 2'-8"	SEC 1:	2.69 CYDS 10,532	VERT.: #4 @ 12 OC HORIZ.: #4 @ 10 OC
C	24" WM W/ 42" CASING	4.75	51" Hx49" W DOGHOUSE	SEC 1 ØBASE	SEC 2:	9,017 4,499	VERT.: #4 @ 12 OC HORIZ.: #4 @ 10 OC
D	30" RCP	6.70	42"	SEC1&2 2'-8"	LID:	2.30 CYDS 4,518	#4 @ 10 OCEW
TOTAL:						24,871	

REMARKS:	CASTING:	7030400	340	USF 170-XB
	STEEL WT.:		CONC WT.:	



Oldcastle™ Precast East, Inc.

2140 PONDELLA ROAD • NORTH FORT MYERS, FLORIDA 33908
 (941) 574-8896 • FAX: (941) 574-1419

WESTWIND CONT.

SR 78 BAYSHORE RD. FDOT #195705-1-52-01

DRAWN: MC		DATE: Sep 7, 2004
CHECKED:		DATE:
PRODUCED:		SHIPPED:
STR. NO.: CON-1	S.O. NO.: 10151	LN. NO.:
DRAWING NO.: J77036R.DWG		LOC.: FAX
SCALE: 1" = 4'	SHEET: OF	

J77036R

LEE COUNTY CONSTRUCTION CONTRACT
FIELD DIRECTIVE CHANGE

NO.: 7

Project No.: 7200 Bid No.: B-04-31 Contract No.: 2872

Contract/Project Name: Bayshore Rd. (Sr 78) Watermain Relocation (Slater Rd. to I-750)

Contractor: Westwind Contracting, Inc.

Request By: Rick Camp Date of Request: 12/23/04

1. Directive: The COUNTY hereby directs and authorizes the following change(s) in the work required by the contract documents be made and the CONTRACTOR is hereby directed to proceed promptly. In the event that as a result of the CONTRACTOR accepting this Field Directive Change, there are determined to be change(s) in the Contract (1) scope, (2) cost, or (3) time. Subsequent to the CONTRACTOR finalizing the change(s) in the work required, and upon receipt and acceptance by the COUNTY of a written and documented claim by the CONTRACTOR, such changes shall be incorporated in a Change Order which is subject to approval by the COUNTY and the CONTRACTOR.

2. Description of the change(s):
Back Taps @ Sta. 248+57 & 251+02

3. Purpose or Intent of Field directive Change:
Not possible to Tap Main as shown on Contract Drawings.

4. Attachments: (List documents supporting change)
See attached worksheet

5. Not-to-exceed limits applicable to this Field Directive Change:
Unless specifically authorized by the COUNTY by a written amendment to this Field Directive Change, the CONTRACTOR shall not exceed the following limits:

A. Estimated not-to-exceed increase (decrease) in the contract price: \$13,110.62

B. Estimated not-to-exceed increase (decrease) in completion time in calendar days: 4

6. Claim(s) resulting from Field Directive Change
In the event that, as a result of the CONTRACTOR providing or performing the change(s) in the required construction work as set forth in this Field Directive Change, the CONTRACTOR determines that consideration should be given to (1) changing the contract scope, (2) increasing the CONTRACTOR's compensation, or (3) increasing the contract time; the CONTRACTOR shall in accordance with the provisions of Articles 11, 12 and 13 of the Contract Document, submit a written claim to the COUNTY requesting that a Change Order be executed incorporating changes in the (1) contract scope, (2) CONTRACTOR compensation, or (3) contract time as appropriate. Such a claim shall include documentation to support the claim.

It is understood and agreed by the COUNTY in authorizing and by the CONTRACTOR in accepting this Field Directive Change that the following methods shall be used as the basis for considering the issuance of a contract Change Order or any CONTRACTOR claim arising out of this Field Directive Change:

- | | |
|--|---|
| A. Method of Determining Change in Contract Price: | B. Method of Determining Change in Contract Time: |
| <input type="checkbox"/> Time and Materials | <input type="checkbox"/> Contractor's Records |
| <input checked="" type="checkbox"/> Unit Prices | <input type="checkbox"/> Consultant's Records |

Cost plus fixed fee
 Other

Other

7. ACCEPTANCE:

COUNTY AUTHORIZATION

By THOMAS A. MARCOTTE
Printed Name

By [Signature]
Signature

Title/Position ENGINEER MANAGER

Date 1/14/05

CONTRACTOR AUTHORIZATION

By Westwind Contracting, Inc.
Contractor's Business Name

By Rick Camp
Print Name

By [Signature]
Signature

[Signature]
Witness

Title/Position Proj. Engineer

Date 12/23/04

Corporate Seal (Affix if applicable, if not enter "None")

Copies Distributed to:

- Contractor (Signed Original)
- Director Project Sponsoring Department (Signed Original)
- Project Manager
- Consultant (if applicable)
- Contracts Management

WESTWIND CONTRACTING, INC.

SR 78 Bayshore Road

Back Taps @ Sta. 248+57 & Sta. 251+02

COST ANALYSIS
EXTRA WORK

DATE: 12/23/2004

PROJECT: SR 78 - Bayshore Road

DESCRIPTION OF WORK: Back Tap 12" Watermain @ (2) locations

LABOR DESCRIPTION	RATE	OT HOURS	AMOUNT
Foreman	40.00	16	640.00
Excavator Oper.	15.50	16	248.00
Loader Operator	13.00	16	208.00
Pipe Layer	12.00	16	192.00
Tail Man	12.00	16	192.00
Laborer	11.00	16	176.00
OT Hours			
Foreman	60.00	4	240.00
Excavator Oper.	23.25	4	93.00
Loader Operator	19.50	4	78.00
Pipe Layer	18.00	4	72.00
Pipe Layer	18.00	4	72.00
Pipe Layer	16.50	4	66.00
SUBTOTAL LABOR			2277.00
PTI 35%			796.95
MARK-UP 25%			768.49
TOTAL LABOR			3842.44

SUBCONTRACT DESCRIPTION	UNIT	RATE	QTY	AMOUNT
				0.00
				0.00
				0.00
				0.00
				0.00
				0.00
SUBTOTAL SUB				0.00
MARK-UP 10%				0.00
TOTAL SUBCONTRACT				0.00

EQUIPMENT DESCRIPTION	RATE	HOURS/DAY	AMOUNT
# 7349 400 Excavator	\$150.00	20	3000.00
# 7374 380 Loader	\$51.00	20	1020.00
Plate Compactor	\$20.00	20	400.00
Demo Saw	\$10.00	20	200.00
Service Truck	\$15.00	20	300.00
3" Trash Pump	\$52.00	5 DAYS	260.00
Trench Box	\$100.00	5 DAYS	500.00
3" Trash Pump	\$52.00	5 DAYS	260.00
			0.00
			0.00
			0.00
SUB EQUIP COST			5940.00
MARKUP 7.50%			445.50
TOTAL			6385.50

MATERIAL DESCRIPTION	UNIT	RATE	QTY	AMOUNT
#57 Stone	ton	\$12.72	21.5	273.48
12" CL 50 DIP	lf	\$18.25	40	730.00
12" MJ 90 deg.	Ton	\$7,670.00	0.099	759.33
12" MJ 45 deg.	Ton	\$7,670.00	0.090	690.30
				0.00
SUBTOTAL MAT'L (taxable)				1003.48
SUBTOTAL MAT'L (non taxable)				1449.63
SALES TAX 6.00%				60.21
MARK-UP 17.50%				175.61
TOTAL MATERIALS				2688.93

MISC. COST	ADD BOND PREMIUM	193.75
	ADD OTHER	
TOTAL EST. COST OF WORK		13110.62
TOTAL EST. QUANTITY OF WORK		1.00
COST PER UNIT		13110.62
TIME TO COMPLETE		4 days

SUBTOTAL
12916.87

LEE COUNTY CONSTRUCTION CONTRACT
FIELD DIRECTIVE CHANGE

NO.: 8

Project No.: LCU 7266 Bid No.: B-04-31 Contract No.: 2872

Contract/Project Name: Bayshore Rd. (Sr 78) Watermain Relocation (Slater Rd. to I-750)

Contractor: Westwind Contracting, Inc.

Request By: Rick Camp Date of Request: 1/10/05

1. **Directive:** The COUNTY hereby directs and authorizes the following change(s) in the work required by the contract documents be made and the CONTRACTOR is hereby directed to proceed promptly. In the event that as a result of the CONTRACTOR accepting this Field Directive Change, there are determined to be change(s) in the Contract (1) scope, (2) cost, or (3) time. Subsequent to the CONTRACTOR finalizing the change(s) in the work required, and upon receipt and acceptance by the COUNTY of a written and documented claim by the CONTRACTOR, such changes shall be incorporated in a Change Order which is subject to approval by the COUNTY and the CONTRACTOR.

2. Description of the change(s):
30" HDPE Length Adjustment for Directional Bore @ Sta.255+13.17 to 256+35. (Plan Horz Length=120.0 lf - Adjusted length = 238 lf).

3. Purpose or Intent of Field directive Change:
Additional actual length required to achieve a working depth and radius of 30" HDPE

4. Attachments: (List documents supporting change)
See attached worksheet

5. Not-to-exceed limits applicable to this Field Directive Change:
Unless specifically authorized by the COUNTY by a written amendment to this Field Directive Change, the CONTRACTOR shall not exceed the following limits:

A. Estimated not-to-exceed increase (decrease) in the contract price: \$28,320.00

B. Estimated not-to-exceed increase (decrease) in completion time in calendar days: 1

6. **Claim(s) resulting from Field Directive Change**
In the event that, as a result of the CONTRACTOR providing or performing the change(s) in the required construction work as set forth in this Field Directive Change, the CONTRACTOR determines that consideration should be given to (1) changing the contract scope, (2) increasing the CONTRACTOR's compensation, or (3) increasing the contract time; the CONTRACTOR shall in accordance with the provisions of Articles 11, 12 and 13 of the Contract Document, submit a written claim to the COUNTY requesting that a Change Order be executed incorporating changes in the (1) contract scope, (2) CONTRACTOR compensation, or (3) contract time as appropriate. Such a claim shall include documentation to support the claim.

It is understood and agreed by the COUNTY in authorizing and by the CONTRACTOR in accepting this Field Directive Change that the following methods shall be used as the basis for considering the issuance of a contract Change Order or any CONTRACTOR claim arising out of this Field Directive Change:

A. Method of Determining Change in Contract Price: Time and Materials Contractor's Records
B. Method of Determining Change in Contract Time: Contractor's Records

- Unit Prices
- Cost plus fixed fee
- Other

- Consultant's Records
- Other

7. ACCEPTANCE:

COUNTY AUTHORIZATION

CMC
1/10/05

By THOMAS H. MARSH
Printed Name

By [Signature]
Signature

Title/Position ENGINEERING MANAGER

Date 1/10/05

CONTRACTOR AUTHORIZATION

By Westwind Contracting, Inc.
Contractor's Business Name

By Robert Parks
Print Name

By [Signature]
Signature

[Signature]
Witness

Title/Position Exec. VP

Date 1/11/05

Corporate Seal (Affix if applicable, if not enter "None")

Copies Distributed to:

- Contractor (Signed Original)
- Director Project Sponsoring Department (Signed Original)
- Project Manager
- Consultant (if applicable)
- Contracts Management

Field Directive Worksheet

HDPE Dir. Bore #4 (changes per onsite meeting 11/23/04)

	FDC 8		Unit / lf	Unit price	Total
Bore #4	Add	30" HDPE Dir. Bore	118.00	\$350.00	\$41,300.00
	Deduct	30" DIP	118.00	-\$110.00	<u>(\$12,980.00)</u>
		Total Add for Bore #4		—————→	\$28,320.00

LEE COUNTY CONSTRUCTION CONTRACT
FIELD DIRECTIVE CHANGE

NO.: 9

Project No.: LCU 7266 Bid No.: B-04-31 Contract No.: 2872

Contract/Project Name: Bayshore Rd. (Sr 78) Watermain Relocation (Slater Rd. to I-750)

Contractor: Westwind Contracting, Inc.

Request By: Rick Camp Date of Request: 1/10/05

1. **Directive:** The COUNTY hereby directs and authorizes the following change(s) in the work required by the contract documents be made and the CONTRACTOR is hereby directed to proceed promptly. In the event that as a result of the CONTRACTOR accepting this Field Directive Change, there are determined to be change(s) in the Contract (1) scope, (2) cost, or (3) time. Subsequent to the CONTRACTOR finalizing the change(s) in the work required, and upon receipt and acceptance by the COUNTY of a written and documented claim by the CONTRACTOR, such changes shall be incorporated in a Change Order which is subject to approval by the COUNTY and the CONTRACTOR.

2. **Description of the change(s):**
Sta.256+95 - 18" Jack & Bore in lieu of 18" open cut. Total crossing 118 lf (J&B portion = 93 lf) (open cut portion = 25 lf.)

3. **Purpose or Intent of Field directive Change:**
To complete waterline construction and tie-ins prior to commencement of FDOT Phase 2.

4. **Attachments: (List documents supporting change)**
See attached worksheet

5. **Not-to-exceed limits applicable to this Field Directive Change:**
Unless specifically authorized by the COUNTY by a written amendment to this Field Directive Change, the CONTRACTOR shall not exceed the following limits:

A. Estimated not-to-exceed increase (decrease) in the contract price: \$24,459.00

B. Estimated not-to-exceed increase (decrease) in completion time in calendar days: 3

6. **Claim(s) resulting from Field Directive Change**
In the event that, as a result of the CONTRACTOR providing or performing the change(s) in the required construction work as set forth in this Field Directive Change, the CONTRACTOR determines that consideration should be given to (1) changing the contract scope, (2) increasing the CONTRACTOR's compensation, or (3) increasing the contract time; the CONTRACTOR shall in accordance with the provisions of Articles 11, 12 and 13 of the Contract Document, submit a written claim to the COUNTY requesting that a Change Order be executed incorporating changes in the (1) contract scope, (2) CONTRACTOR compensation, or (3) contract time as appropriate. Such a claim shall include documentation to support the claim.

It is understood and agreed by the COUNTY in authorizing and by the CONTRACTOR in accepting this Field Directive Change that the following methods shall be used as the basis for considering the issuance of a contract Change Order or any CONTRACTOR claim arising out of this Field Directive Change:

A. **Method of Determining Change in Contract Price:** Time and Materials
B. **Method of Determining Change in Contract Time:** Contractor's Records

- Unit Prices
- Cost plus fixed fee
- Other

- Consultant's Records
- Other

7. ACCEPTANCE:

COUNTY AUTHORIZATION

1/10/05

By THOMAS A. MAMOTT
Printed Name

By [Signature]
Signature

Title/Position ENGINEERING MANAGER

Date 1/10/05

CONTRACTOR AUTHORIZATION

By Westwind Contracting, Inc.
Contractor's Business Name

By Robert Parks
Print Name

By [Signature]
Signature

[Signature]
Witness

Title/Position Exec. VP

Date 1/10/05

Corporate Seal (Affix if applicable, if not enter "None")

Copies Distributed to:

- Contractor (Signed Original)
- Director Project Sponsoring Department (Signed Original)
- Project Manager
- Consultant (if applicable)
- Contracts Management

Field Directive Worksheet

Jack & Bore at Sta. 256+95

	FDC 9	Bid Item No.	Description	Unit / lf	Unit price	Total
18" J&B	Add	24A	18" Jack & Bore	93.00	\$330.00	\$30,690.00
	Deduct	15B	18" Open Cut	93.00	-\$67.00	(\$6,231.00)
			Total Add for J&B		→	\$24,459.00

LEE COUNTY CONSTRUCTION CONTRACT
FIELD DIRECTIVE CHANGE

NO.: 10

Project No.: LCU 7266 Bid No.: B-04-31 Contract No.: 2872

Contract/Project Name: Bayshore Rd. (Sr 78) Watermain Relocation (Slater Rd. to I-750)

Contractor: Westwind Contracting, Inc.

Request By: Rick Camp Date of Request: 1/10/05

1. **Directive:** The COUNTY hereby directs and authorizes the following change(s) in the work required by the contract documents be made and the CONTRACTOR is hereby directed to proceed promptly. In the event that as a result of the CONTRACTOR accepting this Field Directive Change, there are determined to be change(s) in the Contract (1) scope, (2) cost, or (3) time. Subsequent to the CONTRACTOR finalizing the change(s) in the work required, and upon receipt and acceptance by the COUNTY of a written and documented claim by the CONTRACTOR, such changes shall be incorporated in a Change Order which is subject to approval by the COUNTY and the CONTRACTOR.
2. **Description of the change(s):**
Sta.246+23 - 18" Jack & Bore in lieu of 18" open cut. Total crossing 148 lf (J&B portion = 90 lf) (open cut portion = 58 lf.)
3. **Purpose or Intent of Field directive Change:**
To complete waterline construction and tie-ins prior to commencement of FDOT Phase 2.
4. **Attachments: (List documents supporting change)**
See attached worksheet
5. **Not-to-exceed limits applicable to this Field Directive Change:**
Unless specifically authorized by the COUNTY by a written amendment to this Field Directive Change, the CONTRACTOR shall not exceed the following limits:
 - A. Estimated not-to-exceed increase (decrease) in the contract price: \$23,670.00
 - B. Estimated not-to-exceed increase (decrease) in completion time in calendar days: 3
6. **Claim(s) resulting from Field Directive Change**
In the event that, as a result of the CONTRACTOR providing or performing the change(s) in the required construction work as set forth in this Field Directive Change, the CONTRACTOR determines that consideration should be given to (1) changing the contract scope, (2) increasing the CONTRACTOR's compensation, or (3) increasing the contract time; the CONTRACTOR shall in accordance with the provisions of Articles 11, 12 and 13 of the Contract Document, submit a written claim to the COUNTY requesting that a Change Order be executed incorporating changes in the (1) contract scope, (2) CONTRACTOR compensation, or (3) contract time as appropriate. Such a claim shall include documentation to support the claim.

It is understood and agreed by the COUNTY in authorizing and by the CONTRACTOR in accepting this Field Directive Change that the following methods shall be used as the basis for considering the issuance of a contract Change Order or any CONTRACTOR claim arising out of this Field Directive Change:

- | | |
|---|--|
| A. <u>Method of Determining Change in Contract Price:</u> | B. <u>Method of Determining Change in Contract Time:</u> |
| <input type="checkbox"/> Time and Materials | <input type="checkbox"/> Contractor's Records |

CMO:012
09/25/01

- Unit Prices
- Cost plus fixed fee
- Other

- Consultant's Records
- Other

7. ACCEPTANCE:

COUNTY AUTHORIZATION

1/10/05

By THOMAS A. MANOTT
Printed Name

By [Signature]
Signature

Title/Position ENGINEERING MANAGER

Date 1/10/05

CONTRACTOR AUTHORIZATION

By Westwind Contracting, Inc.
Contractor's Business Name

By Robert Parks
Print Name

By [Signature]
Signature

[Signature]
Witness

Title/Position Exec. VP

Date 1/10/05

Corporate Seal (Affix if applicable, if not enter "None")

Copies Distributed to:

- Contractor (Signed Original)
- Director Project Sponsoring Department (Signed Original)
- Project Manager
- Consultant (if applicable)
- Contracts Management

Field Directive Worksheet

Jack & Bore at Sta. 246+23

		Bid Item				
	FDC 10	No.	Description	Unit / lf	Unit price	Total
18" J&B	Add	24A	18" Jack & Bore	90.00	\$330.00	\$29,700.00
	Deduct	15B	18" Open Cut	90.00	-\$67.00	(\$6,030.00)
Total Add for J&B				→		\$23,670.00