

**DUPLEX PUMP STATION W/ GENERATOR
ELECTRICAL DRAWING INDEX**

STANDARD DRAWINGS

- E-1 ELECTRICAL DRAWING INDEX
- E-2 ELECTRICAL SYMBOLS LEGEND & ABBREVIATIONS

DUPLEX PUMP STATION GENERATOR SITES

- E-3 STANDARD 240V-3Ø (0-3ØHP) DUPLEX PUMP STATION W/ GENERATOR POWER AND BONDING PLAN
- E-4 STANDARD 240V-3Ø (0-3ØHP) DUPLEX PUMP STATION W/ GENERATOR GROUNDING PLAN
- E-5 STANDARD 240V-3Ø (0-3ØHP) DUPLEX PUMP STATION W/ GENERATOR ELECTRICAL EQUIPMENT RACK ELEVATION
- E-6 STANDARD 240V-3Ø (0-3ØHP) DUPLEX PUMP STATION W/ GENERATOR ELECTRICAL RISER DIAGRAM AND PANEL SCHEDULE
- E-13 GENERATOR LAYOUT & DETAILS

STANDARD DETAIL DRAWINGS

- ES-1 JUNCTION BOX AND TERMINAL STRIP INSTALLATION AT CONTROL PANEL LOCATION
- ES-2 GROUNDING DETAILS
- ES-3 STREAMER RETARDING FIXTURE AIR TERMINAL FIXTURE POLE MOUNTED
- ES-4 LEVEL TRANSMITTER DETAIL
- ES-5 TERMINATION OF SHIELDED INSTRUMENT CONTROL CABINET DETAIL
- ES-6 INSTRUMENT GROUNDING & SURGE PROTECTION DETAIL
- ES-7 UNDERGROUND CONDUIT INSTALLATION
- ES-8 GROUND ROD INSTALLATION DETAIL

GENERAL NOTES:

- 1.) SITE SPECIFIC CONDITIONS DETERMINE THE CLASSIFICATION OF PUMP STATION IN ACCORDANCE WITH FDEP STANDARDS AND MUST BE DETERMINED BY THE DESIGN ENGINEER FOR EACH SPECIFIC PROJECT.
- 2.) A PUMP STATION THAT RECEIVES FLOW FROM MORE THAN 1 LOCATION WILL BE CLASSIFIED AS EITHER A REPUMP STATION OR A MASTER PUMP STATION. THE DETERMINATION OF PUMP STATION CLASSIFICATION IS VERY SITE SPECIFIC. ENGINEER, DEVELOPER AND/OR CONTRACTOR MUST COORDINATE WITH LEE COUNTY UTILITIES TO CORRECTLY CATEGORIZE THE STATION. PUMP STATION CLASSIFICATION DETERMINES WHICH STANDARD TO REFERENCE. REPUMP STATIONS CAN BE UP TO 77HP, 2 OR 3 PUMPS AND WILL BE EQUIPPED WITH ACROSS THE LINE STARTERS CONTROLLED BY SCADA-PAK. REFERENCE LCU STANDARD DUPLEX 3-PHASE PUMP STATION WITH GENERATOR OR LCU STANDARD TRIPLEX 3-PHASE PUMP STATION WITH GENERATOR FOR GENERAL CONSTRUCTION STANDARDS. SIZE ELECTRICAL SERVICE AND EQUIPMENT SITE SPECIFIC TO REPUMP STATION HORSEPOWER. MASTER PUMP STATIONS WILL BE 35HP AND GREATER, MOST LIKELY 3 PUMPS. THEY WILL BE EQUIPPED WITH VFDS WHICH ARE LEVEL CONTROLLED THROUGH A PLC. REFERENCE LCU MASTER PUMP STATION STANDARD DRAWINGS. SIZE ELECTRICAL SERVICE AND EQUIPMENT SITE SPECIFIC TO MASTER PUMP STATION HORSEPOWER.

STAND-BY GENERATOR REQUIREMENT:

FDEP REQUIRES AN IN PLACE EMERGENCY GENERATOR TO PROVIDE UNINTERRUPTED PUMPING CAPABILITY FOR PUMP STATIONS RECEIVING FLOW FROM ONE OR MORE PUMP STATIONS THROUGH A FORCE MAIN OR PUMP STATIONS DISCHARGING THROUGH PIPES 12 INCHES OR LARGER. REFERENCE FDEP FORM 62-604.300(8)(g) EMERGENCY OPERATION OF PUMP STATIONS PARAGRAPH 71. IN ADDITION TO FDEP REQUIREMENTS, GENERATORS ARE REQUIRED BY LCU AT PUMP STATIONS BASED ON SITE SPECIFIC FLOWS. COORDINATE WITH LCU TO DETERMINE IF SITE SPECIFIC FLOWS AT PUMP STATION REQUIRE AN IN PLACE EMERGENCY GENERATOR.

SUBMITTAL REQUIREMENT:


LEE COUNTY UTILITIES REQUIRES PUMP STATION SUBMITTALS BE PROVIDED FOR THEIR REVIEW TO ENSURE COMPLIANCE WITH THE LCU PUMP STATION STANDARDS.

ELECTRICAL DRAWING INDEX

E - 1

NOTE:


THIS DRAWING IS A LEE COUNTY STANDARD DETAIL AND THEREFORE DOES NOT NEED TO BE SIGNED AND SEALED

		LEE COUNTY SOUTHWEST FLORIDA 1500 MONROE STREET	LEE COUNTY UTILITIES ENGINEERING FORT MYERS, FLORIDA 33901
SHEET TITLE:		DUPLEX PUMP STATION DRAWING INDEX	
TITLE:		STANDARD 240V 3PH DUPLEX PUMP STATION wSUBMERSIBLE PANEL-GENERATOR	
PROJECT:		LIFT STATION DETAIL WITH GENERATOR AND SUBMERSIBLE PANEL	
PROJECT NO:	FILE NAME:	SHEET NUMBER:	
240V 3PH PS	LS DETAIL wGENERATOR-SUBMERSIBLE PANEL	1 OF 9	

CONTROL/ELEMENTARY SYMBOLS	ELECTRICAL PLAN SYMBOLS	SYSTEM SYMBOL LEGEND	ABBREVIATIONS LIST
<p>NORMALLY OPEN CONTACT</p> <p>NORMALLY CLOSED CONTACT</p> <p>LIMIT SWITCH, NORMALLY OPEN</p> <p>LIMIT SWITCH, NORMALLY CLOSED</p> <p>PRESSURE SWITCH, NORMALLY OPEN</p> <p>PRESSURE SWITCH, NORMALLY CLOSED</p> <p>FLOAT SWITCH, NORMALLY OPEN</p> <p>FLOAT SWITCH, NORMALLY CLOSED</p> <p>FLOW SWITCH, NORMALLY OPEN</p> <p>FLOW SWITCH, NORMALLY CLOSED</p> <p>TEMPERATURE SWITCH, NORMALLY OPEN</p> <p>TEMPERATURE SWITCH, NORMALLY CLOSED</p> <p>NORMALLY OPEN, TIMED TO CLOSE CONTACT</p> <p>NORMALLY CLOSED, TIMED TO OPEN CONTACT</p> <p>NORMALLY CLOSED, TIMED TO CLOSE CONTACT</p> <p>NORMALLY OPEN, TIMED TO OPEN CONTACT</p> <p>ANALYZER INDICATOR TRANSMITTER</p> <p>ALARM RELAY</p> <p>ALARM TIMER</p> <p>CONTROL RELAY</p> <p>FLOW INDICATOR TRANSMITTER (TOTALIZER)</p> <p>FLOW SWITCH HIGH/LOW</p> <p>LIQUID LEVEL SWITCH</p> <p>LEVEL INDICATOR TRANSMITTER</p> <p>LIMIT SWITCH OR LEVEL SWITCH</p> <p>MOTOR SWITCH MANUAL</p> <p>MOTOR STARTER</p> <p>PRESSURE GAUGE</p> <p>PROCESS FLOW TIMER</p> <p>PRESSURE SWITCH</p> <p>TEMPERATURE SWITCH</p> <p>TIMING RELAY</p> <p>SURGE SUPPRESSION DEVICE</p> <p>SOLENOID VALVE</p> <p>VIBRATION SWITCH</p> <p>TORQUE SWITCH</p> <p>ZERO SPEED SWITCH</p> <p>ALARM INDICATING LIGHT</p> <p>RUN INDICATING LIGHT</p> <p>MOMENTARY CONTACT PUSHBUTTON</p> <p>MOMENTARY BREAK PUSHBUTTON OR RESET KEYED SWITCH</p> <p>MAINTAINED CONTACT ON-OFF SWITCH</p> <p>START/STOP (S/S) CONTROL SWITCH</p> <p>MAINTAINED CONTACT</p> <p>FUSE</p> <p>MOLDED CASE CIRCUIT BREAKER</p> <p>CONTROL POWER TRANSFORMER</p> <p>REMOTE TERMINAL BLOCK POINT</p> <p>COPPERWELD GRD. ROD</p> <p>HAND OFF REMOTE CONTROL STATION</p> <p>HAND OFF AUTO CONTROL STATION</p> <p>MOTOR STRIP HEATER</p>	<p>WALL OUTLET BOX AND 20 AMP SINGLE POLE SWITCH ('a' INDICATES SWITCHES) 48" TO CENTERLINE</p> <p>WALL OUTLET BOX AND 20 AMP 3-WAY SWITCH ('a' INDICATES SWITCHES) 48" TO CTR LINE.</p> <p>MANUAL MOTOR STARTING SWITCH WITH OVERLOADS AND PILOT LIGHT. NEMA 4X TYPICAL</p> <p>WALL OUTLET BOX AND 20 AMP SWITCH WITH WEATHERPROOF COVER OR ENCLOSURE.</p> <p>WALL OUTLET BOX AND 20 AMP DUPLEX RECEPTACLE 18" TO CENTERLINE</p> <p>WALL OUTLET BOX AND 20 AMP DUPLEX RECEPT MOUNTED 48" AFF OR AS NOTED.</p> <p>WALL OUTLET BOX AND 20 AMP GFCI DUPLEX RECEPTACLE AT 18" TO CENTERLINE. WP INDICATES WEATHERPROOF COVER PLATE.</p> <p>WALL OUTLET BOX AND 20 AMP GFCI RECEPTACLE MOUNTED 48" AFF OR AS NOTED.</p> <p>WALL OUTLET BOX AND DOUBLE 20 AMP DUPLEX RECEPTACLES 18" TO CENTERLINE</p> <p>FLUSH MOUNTED JUNCTION BOX (SURFACE IN MECH/ELEC SPACES OR ABOVE CEILINGS).</p> <p>BRANCH CIRCUIT CONDUIT AND WIRE GENERALLY SURFACE MOUNTED, CONCEALED ABOVE CEILINGS SLASH MARKS INDICATE NUMBER OF CONDUCTORS; (MARKS SHOWN TO AID CONTRACTOR IN BIDDING, THE CONTRACTOR SHALL PROVIDE THE REQUIRED CONDUCTORS UNDER THE CONTRACT SUM WHETHER OR NOT SHOWN). SHORT SLASHES INDICATE PHASE CONDUCTOR OR SWITCH LEG. LONG INDICATE NEUTRAL CONDUCTOR. GREEN GROUND CONDUCTOR NOT SHOWN; ALL CONDUITS REQUIRE COPPER GROUND CONDUCTOR. TWO CONDUCTORS PLUS GROUND REQUIRED, MINIMUM.</p> <p>CONDUIT AND WIRE CONCEALED IN FLOOR SLAB OR UNDERGROUND.</p> <p>BRANCH CIRCUIT PANELBOARD AS NOTED; SEE PANEL SCHEDULES</p> <p>DISCONNECT SWITCH SIZE PER EQUIPMENT NAME PLATE OR AS NOTED; FOR DISCONNECTS SERVING MOTOR LOADS OF 10HP OR GREATER AND FOR ALL MOTOR LOADS SERVED THROUGH VARIABLE FREQUENCY DRIVES; PROVIDE SURGE SUPPRESSION DEVICE EQUAL TO SQ.-D. SP3650 OR EQUAL AT DISCONNECT.</p> <p>MOTOR CONNECTION</p> <p>MANUAL TRANSFER SWITCH OR REVERSING SWITCH</p>	<p>SYSTEMS CABINET AS NOTED OR MARKED.</p> <p>LIGHTNING PROTECTION AIR TERMINAL STREAMER RETARDING TYPE.</p> <p>STREAMER RETARDING AIR TERMINAL MOUNTED TO LIGHT POLE.</p> <p>SINGLE LINE DIAGRAM SYMBOLS</p> <p>VOLTMETER</p> <p>POWER FACTOR METER</p> <p>KILOWATT METER</p> <p>AMMETER</p> <p>THREE PHASE VOLT SWITCH</p> <p>THREE PHASE AMP SWITCH</p> <p>CURRENT TRANSMITTER</p> <p>KILOWATT TRANSMITTER</p> <p>POWER FACTOR TRANSMITTER</p> <p>LOCAL CONTROL PANEL</p> <p>GROUND FAULT INTERRUPTER</p> <p>WATT HOUR METER</p> <p>FUSE</p> <p>CAPACITOR</p> <p>DRAW-OUT CIRCUIT BREAKER</p> <p>MOLDED CASE CIRCUIT BREAKER</p> <p>TYPICAL STARTER CONTROL. SEE SWITCHGEAR CONTROL DIAGRAMS FOR EXACT TYPE.</p> <p>ELECTRIC A.C. MOTOR, NO. INDICATES HORSEPOWER.</p> <p>ELECTRIC D.C. MOTOR, NO. INDICATES HORSEPOWER.</p> <p>SERVICE OR EQUIPMENT GROUND.</p> <p>NON-FUSIBLE DISCONNECT SWITCH, 30A,3P UNLESS OTHERWISE INDICATED.</p> <p>NON-FUSIBLE DISCONNECT SWITCH, 30A,3P UNLESS OTHERWISE INDICATED, WITH REMOTE CONTROL STATION AS REQUIRED BY ELEMENTARY DIAGRAMS OR SPECS.</p> <p>LIGHTING PANELBOARD</p> <p>POWER PANELBOARD</p> <p>KIRK KEY INTERLOCK</p> <p>CURRENT TRANSFORMERS</p> <p>POTENTIAL TRANSFORMERS</p> <p>MANUAL OR AUTOMATIC TRANSFER SWITCH</p>	<p>AMPS</p> <p>AMP FRAME</p> <p>AMPS INTERRUPTING CURRENT</p> <p>ALUMINUM</p> <p>AMP TRIP</p> <p>AUTOMATIC TRANSFER SWITCH</p> <p>AVAILABLE</p> <p>AMERICAN WIRE GAUGE</p> <p>CONDUIT</p> <p>CABINET</p> <p>CATEGORY</p> <p>CONVERSION</p> <p>CELLULAR ROUTER COMMUNICATION CABINET</p> <p>COPPER</p> <p>DEPTH</p> <p>DIAMETER</p> <p>DRAWINGS</p> <p>ETHERNET</p> <p>EXTERNAL</p> <p>FIBER OPTIC CONVERSION CABINET</p> <p>FLORIDA POWER AND LIGHT</p> <p>GROUND</p> <p>HEIGHT</p> <p>HERTZ</p> <p>INSTRUMENTATION AND CONTROLS</p> <p>INPUT/OUTPUT</p> <p>INSTRUMENT</p> <p>INTERNAL</p> <p>KILOVOLT-AMPERES (1VA*10⁻³)</p> <p>LEE COUNTY UTILITIES</p> <p>LIGHT</p> <p>MILLIAMPS (1A*10⁻³)</p> <p>MAGNETIC CIRCUIT BREAKER</p> <p>MINIMUM</p> <p>NA</p> <p>NOT APPLICABLE</p> <p>NATIONAL ELECTRIC CODE</p> <p>NATIONAL ELECTRIC MANUFACTURERS ASSOCIATION</p> <p>NOT TO SCALE</p> <p>POLE</p> <p>PHASE</p> <p>PROPORTIONAL INTEGRAL DERIVATIVE</p> <p>PROGRAMMABLE LOGIC CONTROLLER</p> <p>PRODUCTION WELL</p> <p>MINI POWER ZONE</p> <p>SCHEDULE</p> <p>SERVICE ENTRANCE</p> <p>SURGE PROTECTION DEVICE</p> <p>STAINLESS STEEL</p> <p>TEMPERATURE OR TEMPORARY</p> <p>TWISTED SHIELDED PAIR</p> <p>TYPICAL</p> <p>UNDERGROUND</p> <p>UNINTERRUPTIBLE POWER SOURCE</p> <p>VOLTS</p> <p>VOLT-AMPERES (APPARENT POWER)</p> <p>VOLTS ALTERNATING CURRENT</p> <p>VOLTS DIRECT CURRENT</p> <p>VARIABLE FREQUENCY DRIVE</p> <p>WATTS (REAL POWER)</p> <p>PUMP CONTROL PANEL</p> <p>WITH</p> <p>TRANSFORMER</p> <p>INCHES</p> <p>FEET</p> <p>NUMBER</p> <p>11"X17" SHEET</p> <p>8.5"X11" SHEET</p> <p>FLORIDA DEPARTMENT OF ENVIRONMENTAL PROTECTION</p>
<p>LIGHTING FIXTURES SYMBOLS</p> <p>LED FIXTURE POLE MOUNTED SEE DETAIL</p>		<p>E-2</p>	

ELECTRICAL SYMBOLS LEGEND & ABBREVIATIONS

NOTE:
THIS DRAWING IS A LEE COUNTY STANDARD DETAIL AND THEREFORE DOES NOT NEED TO BE SIGNED AND SEALED

 <p>LEE COUNTY SOUTHWEST FLORIDA</p>	<p>LEE COUNTY UTILITIES ENGINEERING</p> <p>1500 MONROE STREET FORT MYERS, FLORIDA 33901</p>
<p>SHEET TITLE: DUPLEX PUMP STATION NOTES & ABBREVIATIONS</p>	
<p>TITLE: STANDARD 240V 3PH DUPLEX PUMP STATION wSUBMERSIBLE PANEL-GENERATOR</p>	
<p>PROJECT: LIFT STATION DETAIL WITH GENERATOR AND SUBMERSIBLE PANEL</p>	
<p>PROJECT NO.: 240V 3PH PS</p>	<p>FILE NAME: LS DETAIL wGENERATOR-SUBMERSIBLE PANEL</p> <p>SHEET NUMBER: 2 OF 9</p>

MINIMUM EQUIPMENT RACK LAYOUT BASED ON THE FOLLOWING:
 ADJUST EQUIPMENT RATINGS AND DIMENSIONS FOR SPECIFIC PUMP STATION
 HORSEPOWER AND SERVICE SIZE (MINIMUM 100A SERVICE SIZE). IN NO CASE
 SHALL DIMENSIONS BE PERMITTED TO BE REDUCED IN SIZE.

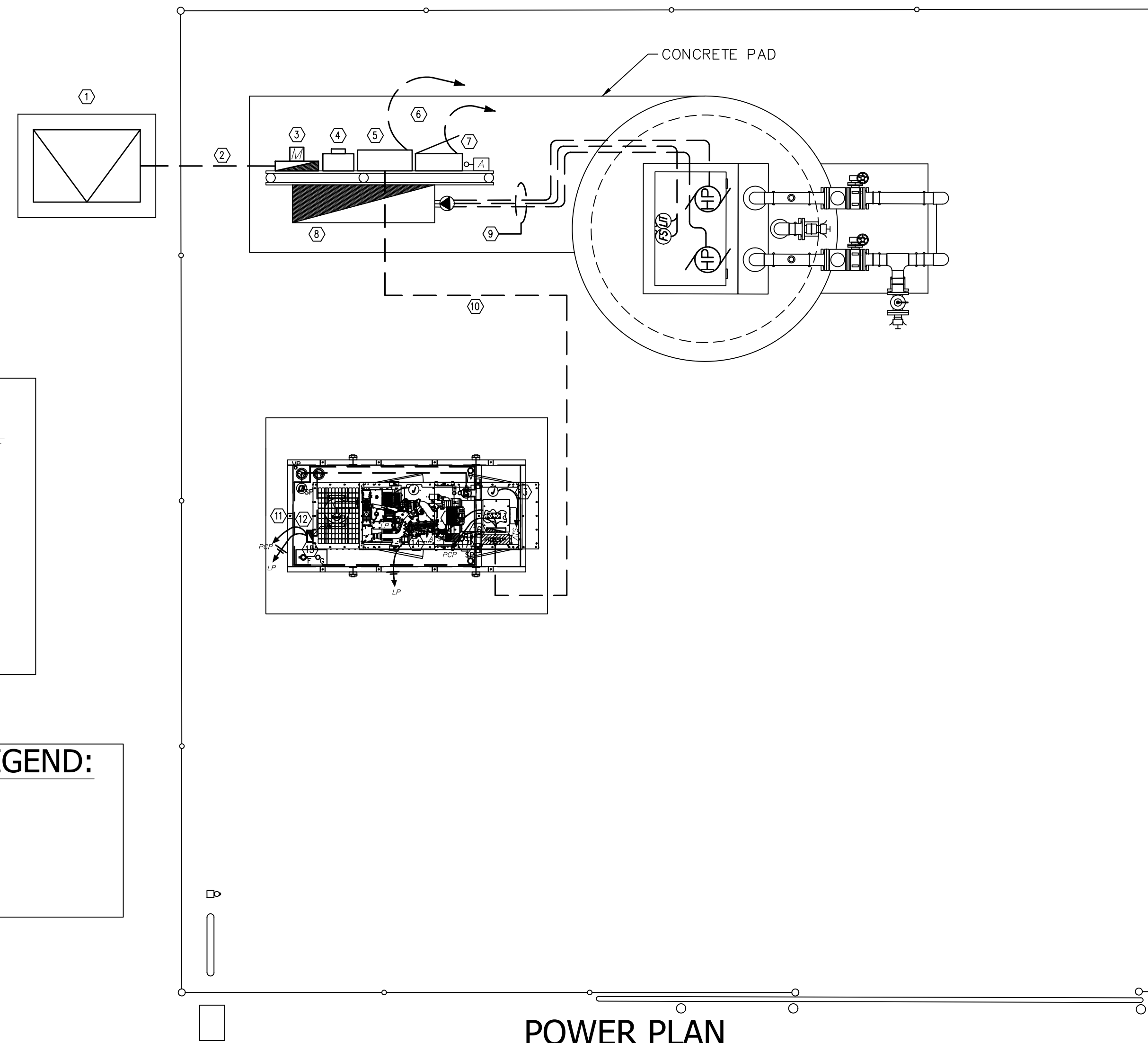
EQUIPMENT	SIZE	H(IN)	W(IN)	D(IN)	EQUIPMENT	SIZE	H(IN)	W(IN)	D(IN)	EQUIPMENT	SIZE	H(IN)	W(IN)	D(IN)
UTILITY MAIN BREAKER (0-1.5HP)	100A	33	10	8	PUMP STATION CONTROL PANEL (2HP-7.5HP)	250AF 200AT	48	60	16	PANELBOARD (0-30HP)	60A	38	20	7
UTILITY MAIN BREAKER (2HP-7.5HP)	200A	33	10	8	PUMP STATION CONTROL PANEL (10HP)	250AF 225AT	48	60	16					
UTILITY MAIN BREAKER (10HP)	300A	33	10	8	AUTOMATIC TRANSFER SWITCH (0-3HP)	125A	46	32	16					
PUMP STATION CONTROL PANEL (0HP-1.5HP)	125AF 100AT	48	60	16	AUTOMATIC TRANSFER SWITCH (5HP-10HP)	225A	46	32	16					

GENERAL NOTES

- ALL EQUIPMENT SHALL BE HUNG ON EQUIPMENT RACK. OPEN WINDOW CUTTING OF ENCLOSURE BOTTOMS IS NOT PERMITTED.
- ALL EQUIPMENT ENCLOSURES ARE REQUIRED TO BE NEMA 4X STAINLESS STEEL POWDER COATED WHITE WITH 3-POINT LATCH.
- PROVIDE NEOPRENE PADS BETWEEN CONCRETE EQUIPMENT PADS AND ALL FREE STANDING EQUIPMENT AND GENERATOR FUEL TANK SUPPORTS.
- REFERENCE SINGLE LINE DRAWING FOR CONDUIT AND WIRE SIZE.

LIGHTNING PROTECTION LEGEND:

- LP — MAIN ROOF/DOWN CONDUCTOR TYPICAL
- G — #2/0 TINNED BARE COPPER COUNTERPOISE LOOP GROUND.
- — — #2 TINNED SOLID COPPER BOND TO EQUIPMENT/CABINETS ETC.




POWER PLAN
 STANDARD 240V-3Ø (0-30HP) DUPLEX PUMP STATION
 POWER, BONDING & GROUNDING PLAN

KEYNOTES

- UTILITY PADMOUNT TRANSFORMER OR AERIAL TRANSFORMER BANK. COORDINATE SERVICE CHARACTERISTICS, EXACT LOCATION AND PRIMARY FEEDER DETAILS WITH UTILITY. PROVIDE GROUNDING, TRANSFORMER PAD AND CONDUIT ENTRY PER UTILITY REQUIREMENTS.
- UNDERGROUND SERVICE LATERAL.
- ALUMINUM DIRECT READING UTILITY METER.
- NEMA 4XSS SE RATED ENCLOSED CIRCUIT BREAKER.
- NEMA 4XSS AUTOMATIC TRANSFER SWITCH.
- DEDICATED 2 WIRE UTP CABLE FOR REMOTE GEN-START COMMAND IN 1" C.
- NEMA 4X, SS 120/208V 3PH-4WIRE PANELBOARD LP.
- DEP COMPLIANT PUMP CONTROL PANEL (PCP).
- (3) MINIMUM 2" CONDUITS INTO WETWELL. (2) FOR SUBMERSIBLE PUMP CABLES, (1) FOR FLOATS AND LIT CABLES. CORE DRILL NEW PENETRATIONS THROUGH WETWELL. PATCH ALL WITH HYDROCEMENT.
- STAND-BY POWER UNDERGROUND SERVICE LATERAL.
- GENSET WITH SUBBASE FUEL TANK.
- (2) PAIR #16 TSP INSTRUMENTATION CABLE IN 1" C. AND (9) CONDUCTOR #14 CONTROL CABLE IN 1.25" C.
- (2)#8 AND #10G IN 1" C. TO BATTERY CHARGER. FIELD COORDINATE EXACT LOCATION OF BATTERY.
- GENSET STRIP HEATER AND JACKET WATER HEATER. MINIMUM (3)#10 IN 0.75" C. COORDINATE EXACT LOCATION OF HEATERS.
- GENERATOR FUEL FILL PANEL WITH FUEL LEVEL TRANSMITTER & TANK LEAK ALARM PANEL MOUNTED WITHIN NEMA4X SS POWDER COATED WHITE ENCLOSURE.
- GENERATOR CONTROL PANEL; (GCP). COORDINATE EXACT LOCATION PRIOR TO ROUGH-IN. PROGRAM TO PROVIDE MONITORING CONTACTS FOR: GENERATOR FAULT, GENERATOR RUNNING
- (2)1.25" C. (1) SPARE, (1) WITH (13) CONDUCTOR #14 CONTROL CABLE.

E-3

NOTE:
 THIS DRAWING IS A LEE COUNTY STANDARD DETAIL AND THEREFORE DOES NOT NEED TO BE SIGNED AND SEALED

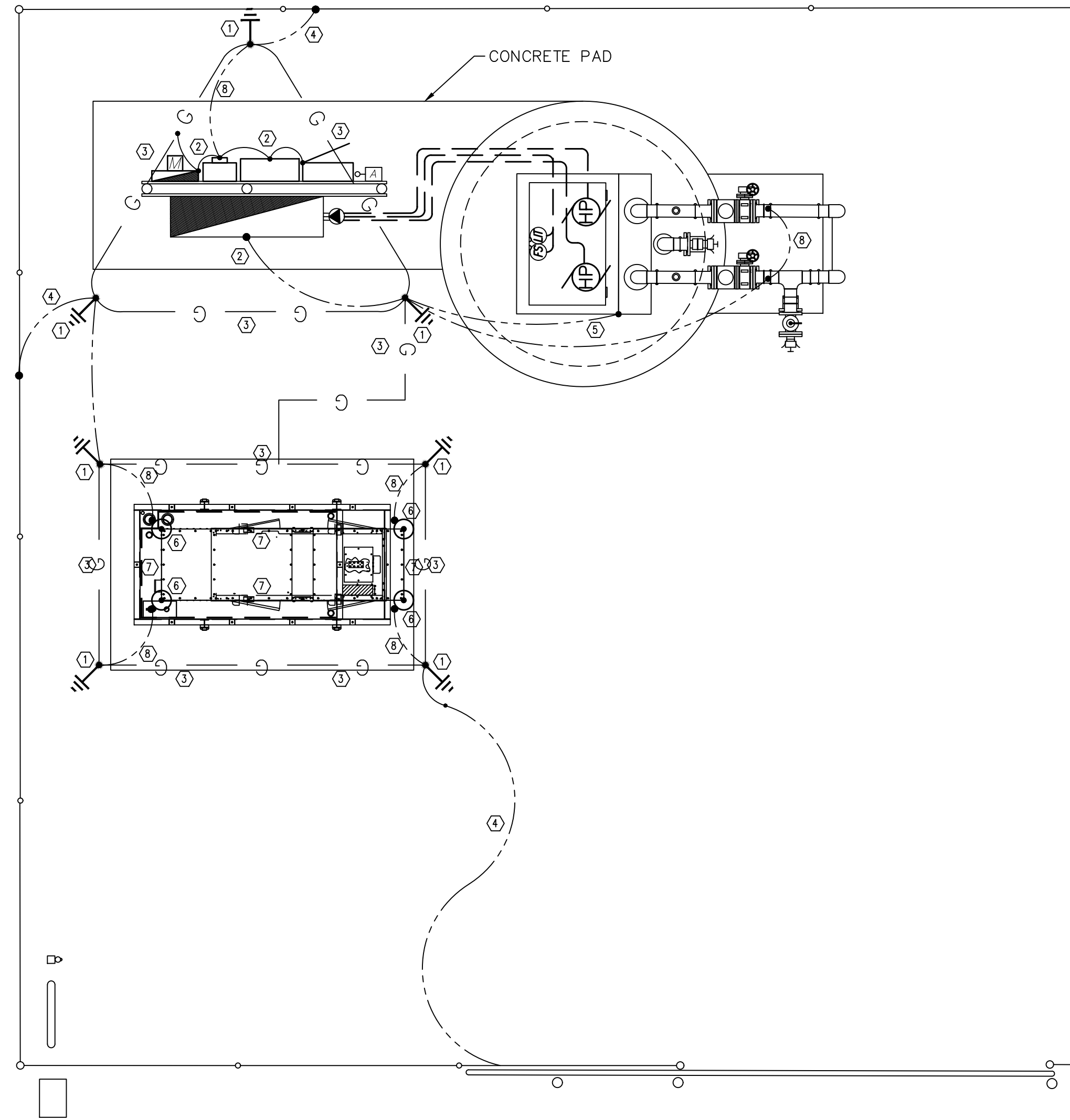
 LEE COUNTY SOUTHWEST FLORIDA 1500 MONROE STREET	LEE COUNTY UTILITIES ENGINEERING FORT MYERS, FLORIDA 33901
	SHEET TITLE: DUPLEX PUMP STATION POWER BONDING PLAN
TITLE: STANDARD 240V 3PH DUPLEX PUMP STATION wSUBMERSIBLE PANEL-GENERATOR	PROJECT: LIFT STATION DETAIL WITH GENERATOR AND SUBMERSIBLE PANEL
PROJECT NO.: 240V 3PH PS	SHEET NUMBER: 3 OF 9

GENERAL NOTES

- 1.) ALL U.G. CONNECTIONS TO BE VIA EXOTHERMIC WELD (CADWELD) UNLESS INDICATED OTHERWISE.
- 2.) ALL REQUIRED BONDS MAY NOT BE SHOWN; PROVIDE ADDITIONAL BONDS TO ALL DEVICES, INSTRUMENTS, CABINETS, CONTROL VALVES, ETC. AS REQUIRED TO COMPLY WITH UL AND NEC.

KEYNOTES

- 1.) 20" DRIVEN GROUND ROD WITH INSPECTION TEST WELL (SEE DETAIL). TYPICAL.
- 2.) #2 TINNED SOLID COPPER BOND. TYPICAL.
- 3.) #2/0 TINNED STRANDED COPPER COUNTERPOISE LOOP GROUND. TYPICAL.
- 4.) #2/0 TINNED SOLID BARE BOND TO GROUND GRID.
- 5.) BOND TO HINGE CORNER OF HATCH FRAME. DRILL TAP AS REQUIRED.
- 6.) STREAMER RETARDING ROOF MOUNTED AIR TERMINAL. TYPICAL.
- 7.) MAIN ROOF CONDUCTOR. TYPICAL.
- 8.) ROOF DOWN CONDUCTOR TO GROUND GRID.



LIGHTNING PROTECTION LEGEND:


- LP — MAIN ROOF/DOWN CONDUCTOR TYPICAL
- G — #2/0 TINNED BARE COPPER COUNTERPOISE LOOP GROUND.
- #2 TINNED SOLID COPPER BOND TO EQUIPMENT/CABINETS ETC.

STANDARD 240V-3Ø (0-30HP) DUPLEX PUMP STATION W/
GENERATOR LIGHTNING PROTECTION, BONDING & GROUNDING PLAN

E - 4

NOTE:
GROUNDING PER NATIONAL
ELECTRICAL CODE

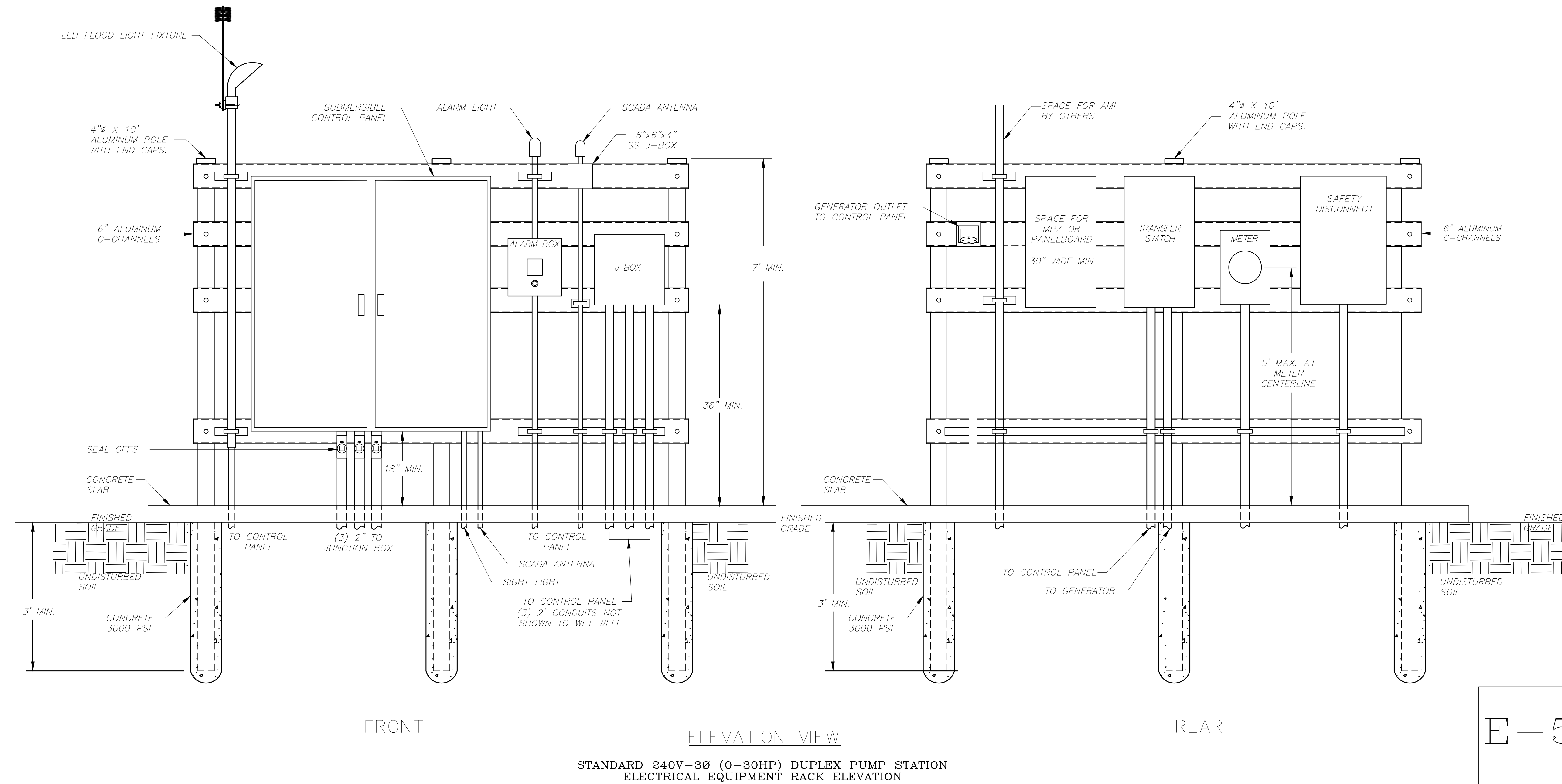
NOTE:
THIS DRAWING IS A LEE
COUNTY STANDARD DETAIL
AND THEREFORE DOES NOT
NEED TO BE SIGNED AND SEALED

	LEE COUNTY SOUTHWEST FLORIDA 1500 MONROE STREET	LEE COUNTY UTILITIES ENGINEERING FORT MYERS, FLORIDA 33901
	SHEET TITLE: DUPLEX PUMP STATION GROUNDING PLAN	
TITLE: LIFT STATION DETAIL WITH SUBMERSIBLE PANEL		
PROJECT: LIFT STATION DETAIL USING SUBMERSIBLE PANEL		
PROJECT NO.: 240V 3PH PS	FILE NAME: LS DETAIL wGENERATOR-SUBMERSIBLE PANEL	SHEET NUMBER: 4 OF 9


GENERAL NOTES

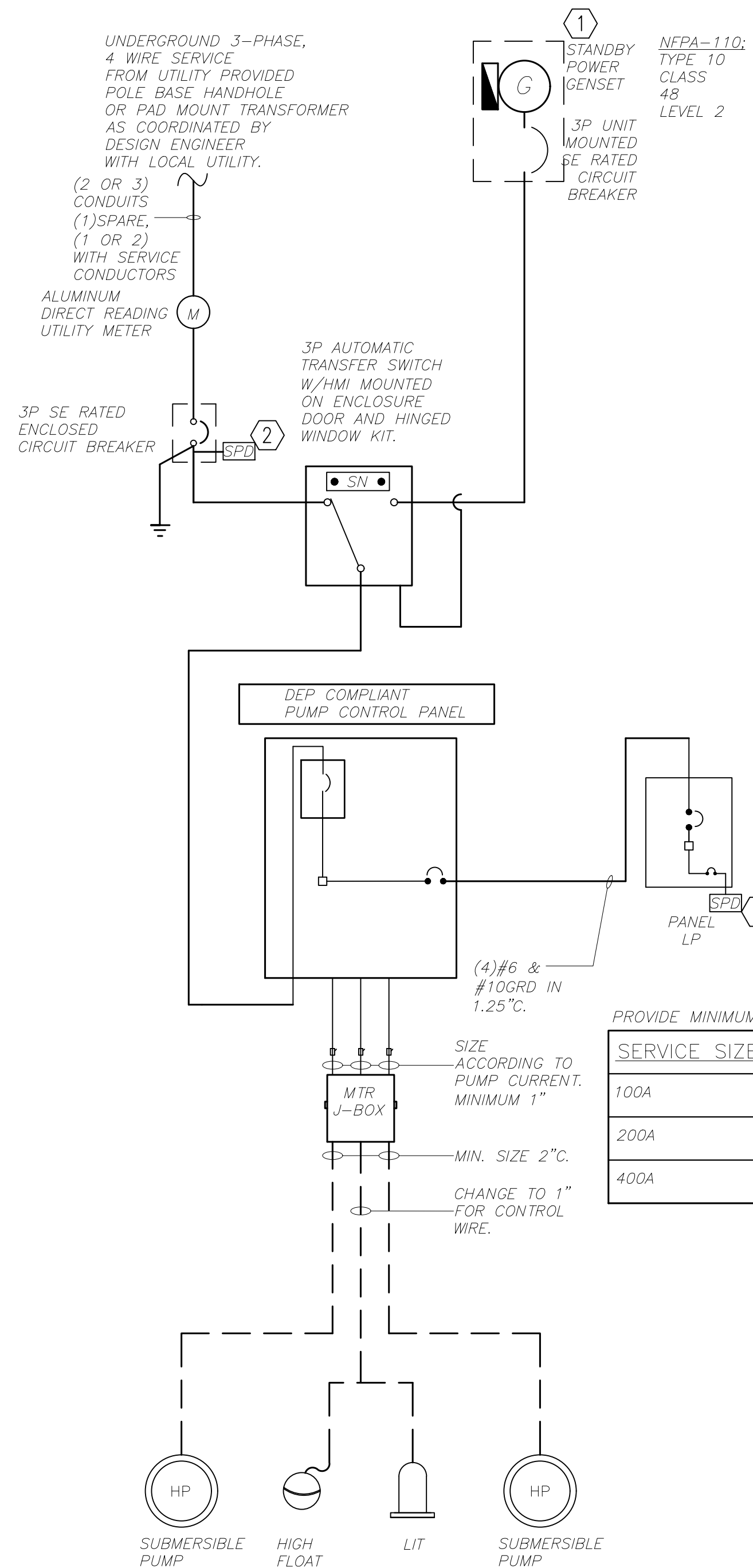
- 1.) ALL CONDUIT PENETRATIONS INTO THE TOP OR SIDES OF THE ENCLOSURE ARE REQUIRED TO BE MADE USING MYERS HUBS.
- 2.) ALL CONDUIT PENETRATIONS INTO ELECTRICAL EQUIPMENT SHALL BE INSTALLED ALONG BOTTOM OF EACH ENCLOSURE.

PROVIDE SHOP DRAWINGS FROM A FLORIDA REGISTERED PROFESSIONAL ENGINEER CERTIFYING THAT THE ALUMINUM POST FOUNDATION AND RACK MEET CURRENT FLORIDA BUILDING CODE AND WIND LOAD REQUIREMENTS.



NOTE:
THIS DRAWING IS A LEE COUNTY STANDARD DETAIL AND THEREFORE DOES NOT NEED TO BE SIGNED AND SEALED

	LEE COUNTY SOUTHWEST FLORIDA 1500 MONROE STREET	LEE COUNTY UTILITIES ENGINEERING FORT MYERS, FLORIDA 33901
	SHEET TITLE: DUPLEX PUMP STATION ELECTRICAL EQUIPMENT RACK ELEVATION	
TITLE: STANDARD 240V 3PH DUPLEX PUMP STATION wSUBMERSIBLE PANEL-GENERATOR		
PROJECT: LIFT STATION DETAIL WITH GENERATOR AND SUBMERSIBLE PANEL		
PROJECT NO: 240V 3PH PS	FILE NAME: LS DETAIL wGENERATOR-SUBMERSIBLE PANEL	SHEET NUMBER: 5 OF 9



ELECTRICAL RISER DIAGRAM (240V 3-PHASE)
N.T.S.

GENERAL NOTES:

- 1.) MINIMUM EQUIPMENT AIC RATINGS:
240V SERVICE 35,000AIC
480V SERVICE 65,000AIC
EQUIPMENT AIC RATINGS SHOWN TO ESTABLISH MINIMUM ACCEPTABLE RATING. DESIGNER TO COORDINATE REQUIRED AIC RATINGS WITH SITE SPECIFIC ELECTRICAL SERVICE CHARACTERISTICS AND IN NO CASE LOWER THEN ESTABLISHED MINIMUMS.
- 2.) THIS PLAN DOES NOT INDICATE ALL CONDUIT & WIRE REQUIRED; SEE ADDITIONAL REQUIREMENTS ON ELEMENTARY & PLAN DRAWINGS.

KEYNOTES

- 1.) DO NOT GROUND GENERATOR NEUTRAL AT GENSET. PROVIDE NEUTRAL CONDUCTOR FROM GENSET TO MAIN SERVICE ENTRANCE DISCONNECT NEUTRAL BUS.
- 2.) CUTLER HAMMER CVX100-240H 100KA SURGE SUPPRESSOR OR EQUAL. MOUNT WITH INDICATOR LIGHTS VISIBLE TO OPERATOR WHILE FACING BREAKER.

PROVIDE MINIMUM SERVICES UTILITY SIZES AS FOLLOWS:

SERVICE SIZE:	CONDUIT SIZE:	CONDUCTOR SIZE:	GROUND SIZE:
100A	(1)2"	(4)#3	(1)#8
200A	(1)2.5"	(4)#3/0	(1)#3
400A	(2)2.5"	(4)#3/0 IN EACH	(1)#3 IN EACH

GENERIC SINGLE LINE DRAWING-- REVISE ACCORDINGLY TO PROVIDE SITE SPECIFIC DETAILS INCLUDING UTILITY COORDINATION, SERVICE SIZE AND GENERATOR SIZE. SIZE SERVICE, GENERATOR, CONDUIT AND WIRE PER SITE SPECIFIC WELL HORSEPOWER.

PANEL: LP	BUS: 100A, 60A MCB	VOLTAGE: 120/240V,3P,4W		
MOUNTING: WALL MOUNT	POLES: 18	35,000AIC MIN		
LOCATION: EQUIPMENT RACK	NEMA 4X SS ENCLOSURE			
CIR. NO.	DESCRIPTION	TRIP	POLES	REMARKS
1	GENERATOR BATTERY CHARGER	20	1	
2	GENERATOR STRIP HEATER	20	1	
3	GENERATOR WATER HEATER	20	1	
4	DATA COLLECTOR HUB AMI	20	1	
5	SPARE	20	1	
6	SPARE	20	1	
7	SPARE	20	1	
8	SPARE	20	1	
9-17	SPACE	20	1	
10-12	SPACE	20	1	
14,16,18	SURGE SUPPRESSION	30	1	

PROVIDE PANEL WITH 35KAIC RATING.
PROVIDE PANEL WITH EXTERNAL CUTLER HAMMER CVX100 SERIES SPD
COORDINATE PANEL WITH POSSIBLE HIGH LEG OPEN DELTA ELECTRIC SERVICE.

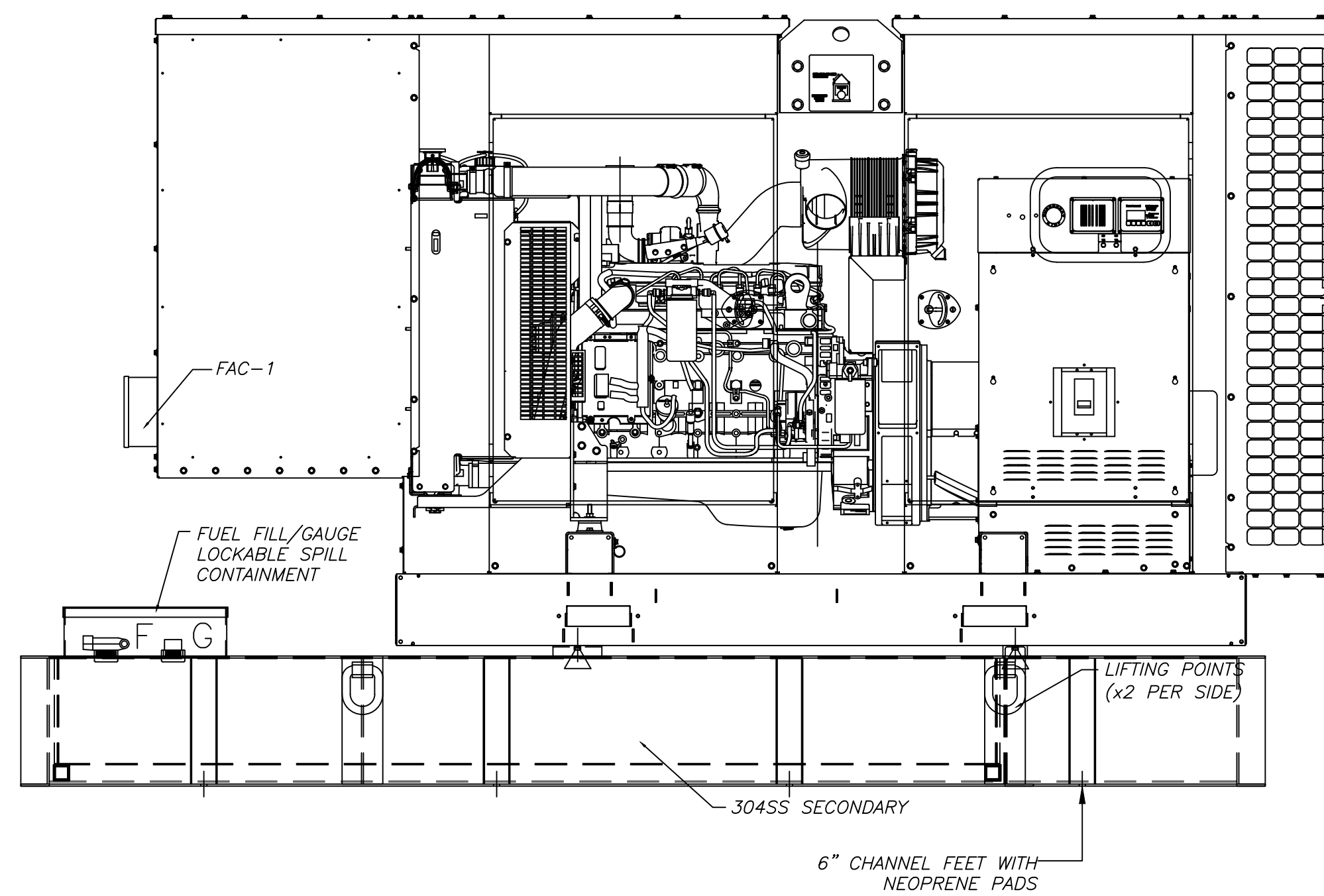
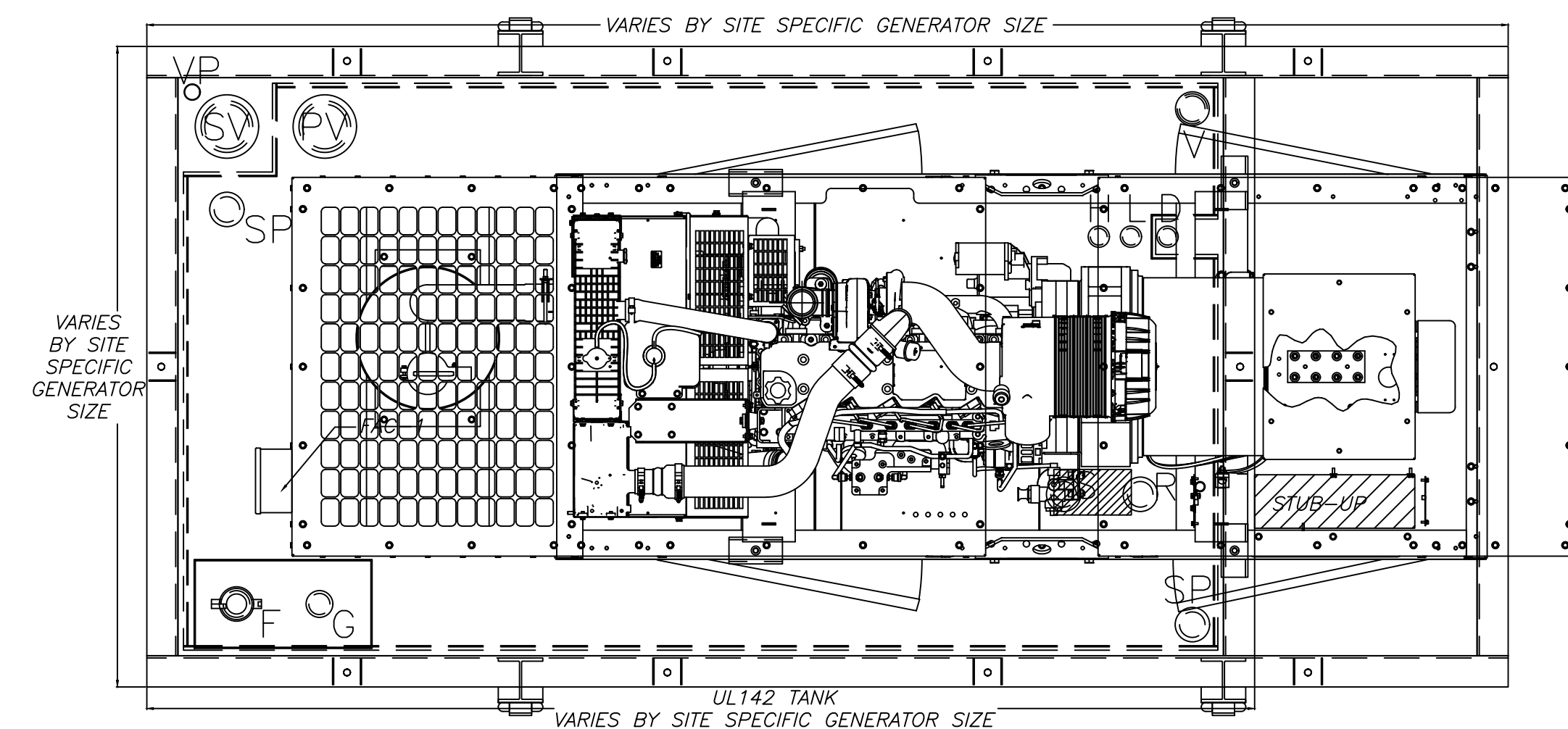
PANEL SCHEDULE
N.T.S.

E-6

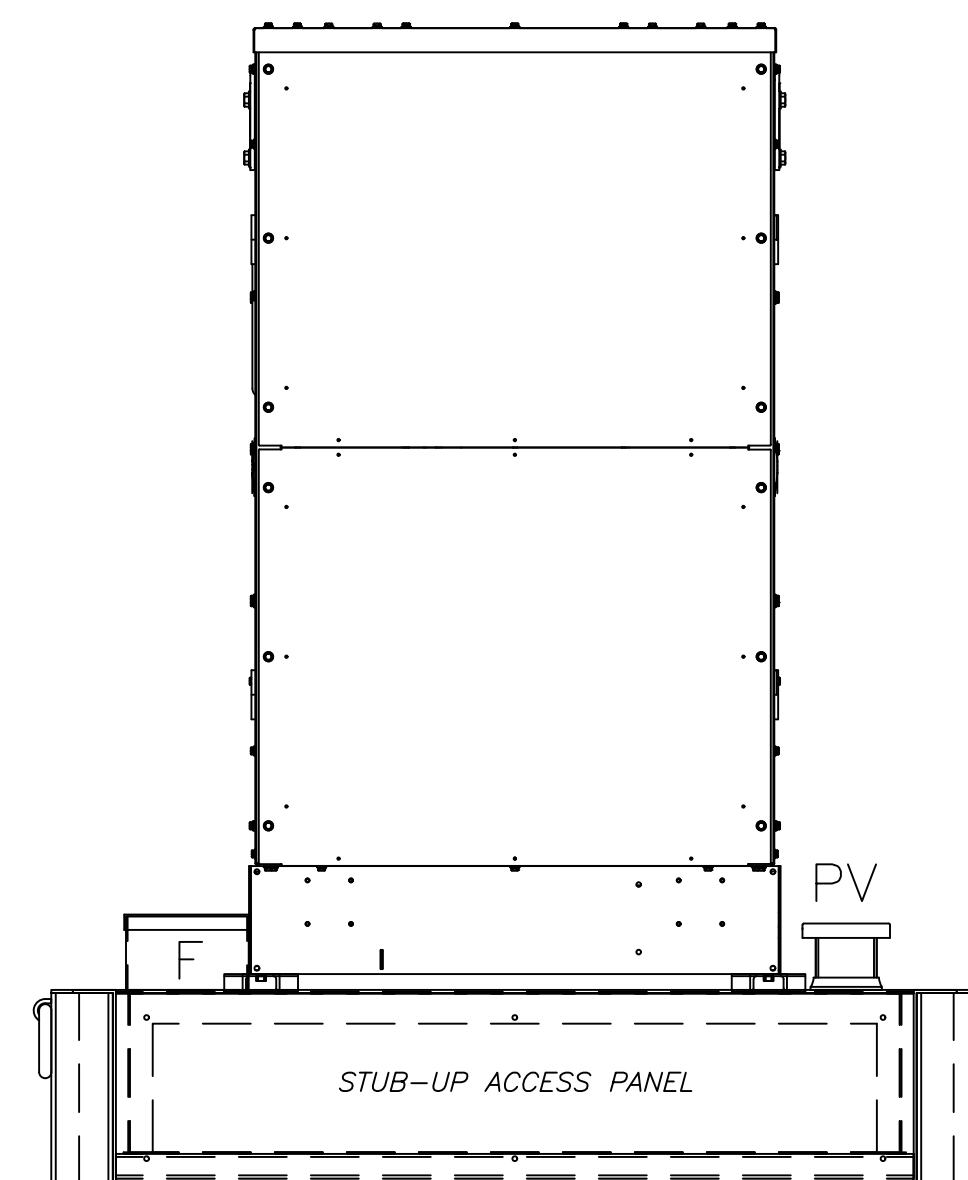
STANDARD 240V-3Ø (0-30HP) DUPLEX PUMP STATION W/
GENERATOR ELECTRICAL RISER DIAGRAM & PANEL SCHEDULE

NOTE:
THIS DRAWING IS A LEE COUNTY STANDARD DETAIL AND THEREFORE DOES NOT NEED TO BE SIGNED AND SEALED

	LEE COUNTY UTILITIES ENGINEERING 1500 MONROE STREET FORT MYERS, FLORIDA 33901
	LEE COUNTY UTILITIES ENGINEERING 1500 MONROE STREET FORT MYERS, FLORIDA 33901
SHEET TITLE: DUPLEX PUMP STATION W/GEN RISER DIAGRAM & PANEL SCHEDULE	
TITLE: STANDARD 240V 3PH DUPLEX PUMP STATION wSUBMERSIBLE PANEL-GENERATOR	
PROJECT: LIFT STATION DETAIL WITH GENERATOR AND SUBMERSIBLE PANEL	
PROJECT NO.: 240V 3PH PS	FILE NAME: LS DETAIL wGENERATOR-SUBMERSIBLE PANEL
SHEET NUMBER: 6 OF 9	



GENERATOR SIDE VIEW



GENERATOR INTAKE END VIEW

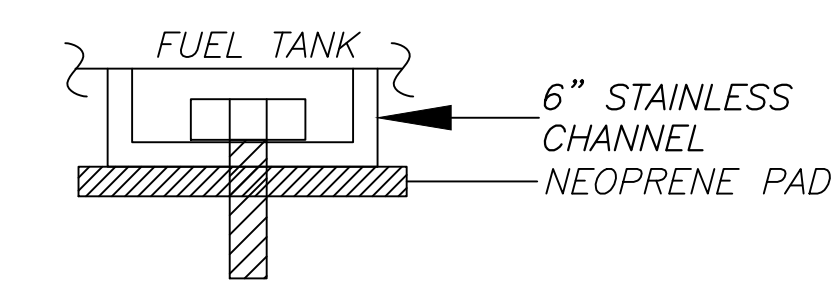
GENERATOR LAYOUT & DETAILS

TANK FITTING LEGEND

- F - FUEL FILL
- FP - FUEL FILL PANEL
- G - MECH. FUEL GAUGE
- D - LEAK DETECTOR
- S - FUEL SUPPLY
- R - FUEL RETURN
- V - MAIN VENT
- SV - SECONDARY EMERGENCY VENT
- PV - PRIMARY EMERGENCY VENT
- H - HIGH FUEL LEVEL SENSOR
- L - LOW FUEL LEVEL SENSOR
- SP - SPARE
- VP - SECONDARY VACUUM PORT
- SS - 4-20ma ULTRASONIC SENSOR

GENERAL SHEET NOTES

- 1.) ALL FITTINGS TO BE S.S. THREADED PIPE. (UNLESS OTHERWISE NOTED)
- 2.) EXTERIOR FINISH: COMM. WHITE METAL SANDBLAST, 12 TO 15 MIL INTERMEDIATE GLASS FLAKE EPOXY COAT & 2 TO 3 MIL POLYURETHANE TOP COAT
- 3.) TANK SHALL BE PROVIDED WITH 6" WIDE X 3/8" THICK; FULL LENGTH NEOPRENE PADS FOR EACH TANK SUPPORT FOOT.
- 4.) APPROXIMATE TANK VOLUME: SIZE FOR 48 HOUR FULLY LOADED RUN TIME.
- 5.) TANK CONSTRUCTION: STAINLESS STEEL OUTER SHELL; RATED UL-142 DOUBLE CONTAINMENT
- 6.) ENCLOSURE SOUND ATTENUATION LEVEL: MINIMUM -35DBA



CHANNEL MOUNTING DETAIL

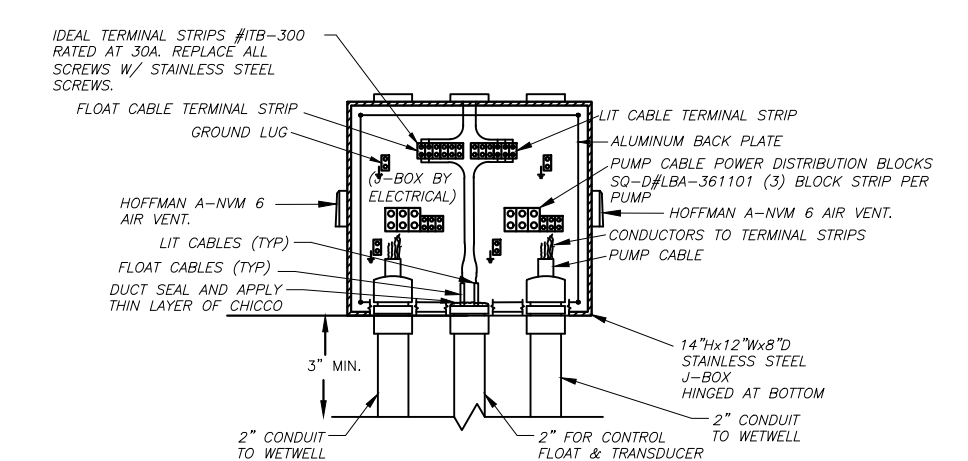
ACOUSTIC RATING: THE ENCLOSURE TO BE LINED WITH ACOUSTIC SOUND FOAM TO ACHIEVE 55 dbA @ 21 FT.

NOTE: WALK-IN ENCLOSURE MAY BE REQUIRED DEPENDING ON THE UNITS PROXIMITY TO PROPERTY LINE AND RESIDENCIES.

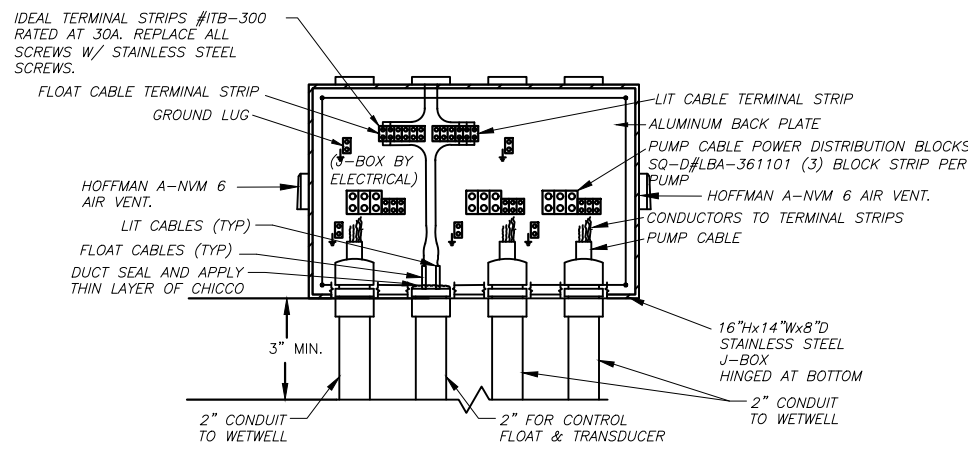
E-13

NOTE:
THIS DRAWING IS A LEE COUNTY STANDARD DETAIL AND THEREFORE DOES NOT NEED TO BE SIGNED AND SEALED

	LEE COUNTY SOUTHWEST FLORIDA 1500 MONROE STREET	LEE COUNTY UTILITIES ENGINEERING FORT MYERS, FLORIDA 33901
	SHEET TITLE: GENERATOR LAYOUT & DETAILS	
TITLE: STANDARD 240V 3PH DUPLEX PUMP STATION wSUBMERSIBLE PANEL-GENERATOR		
PROJECT: LIFT STATION DETAIL WITH GENERATOR AND SUBMERSIBLE PANEL		
PROJECT NO.: 240V 3PH PS	FILE NAME: LS DETAIL wGENERATOR-SUBMERSIBLE PANEL	SHEET NUMBER: 7 OF 9



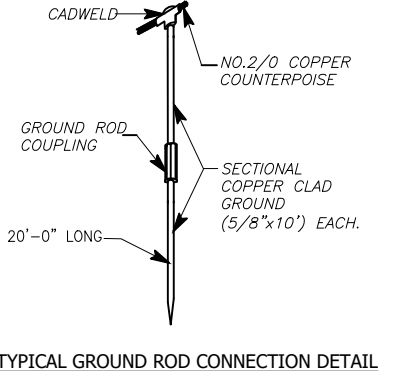
DUPLEX JUNCTION BOX
N.T.S.



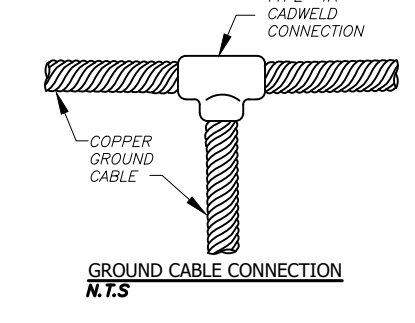
TRIPLEX JUNCTION BOX
N.T.S.

**JUNCTION BOX & TERMINAL STRIP INSTALLATION AT
CONTROL PANEL LOCATION**

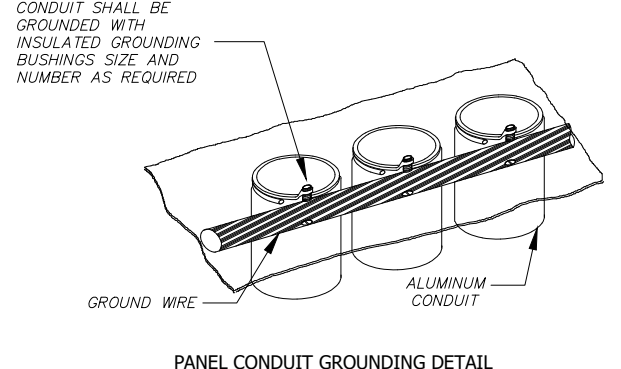
ES-1



**TYPICAL GROUND ROD CONNECTION
DETAIL**
N.T.S.



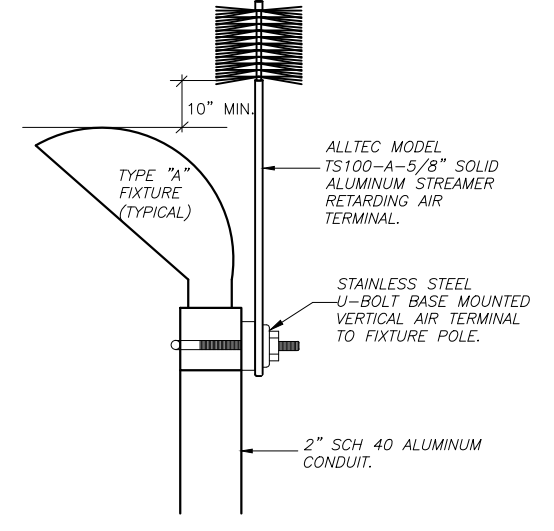
GROUND CABLE CONNECTION
N.T.S.



PANEL CONDUIT GROUNDING DETAIL
N.T.S.

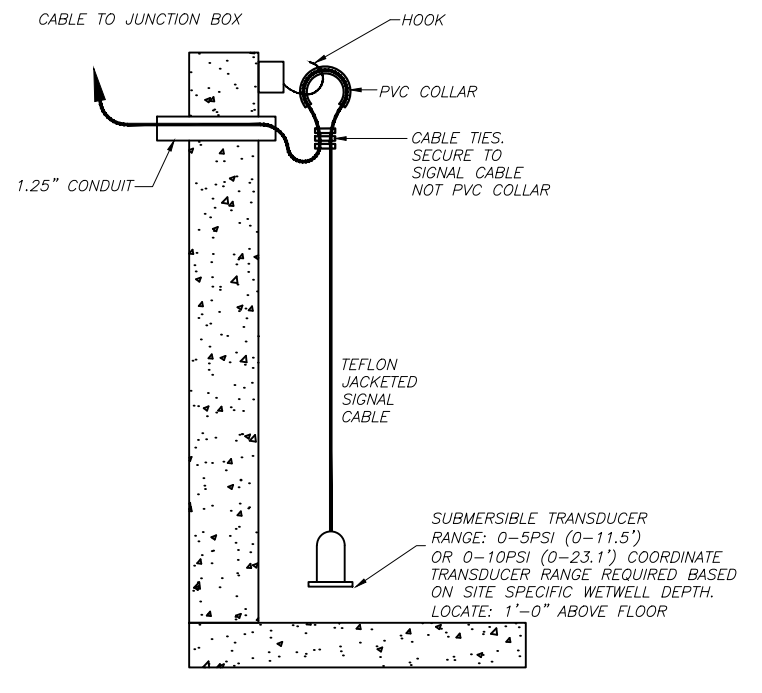
GROUNDING DETAILS

ES-2



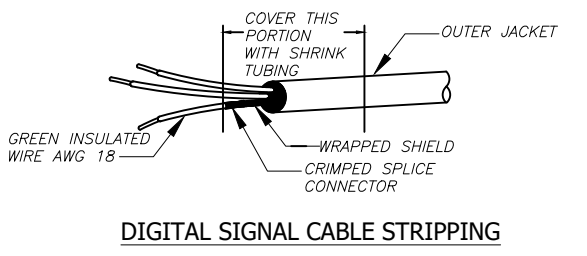
**STREAMER RETARDING AIR TERMINAL FIXTURE POLE
DETAIL**

ES-3

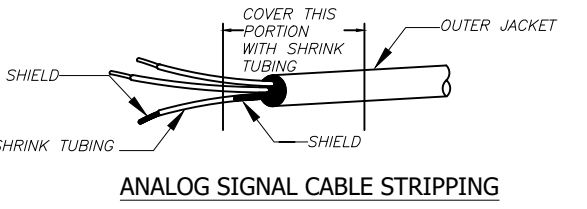


LEVEL TRANSMITTER DETAIL

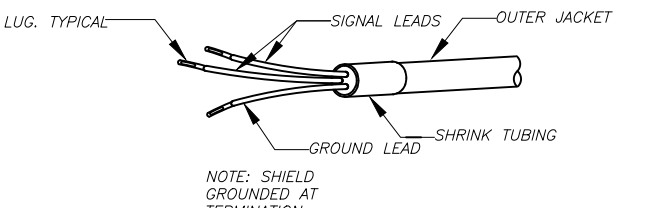
ES-4



DIGITAL SIGNAL CABLE STRIPPING



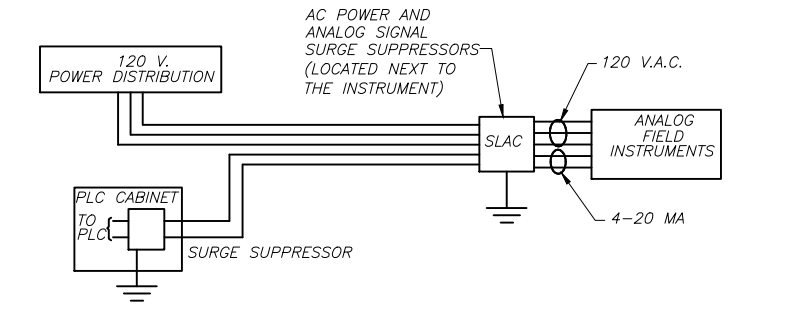
ANALOG SIGNAL CABLE STRIPPING



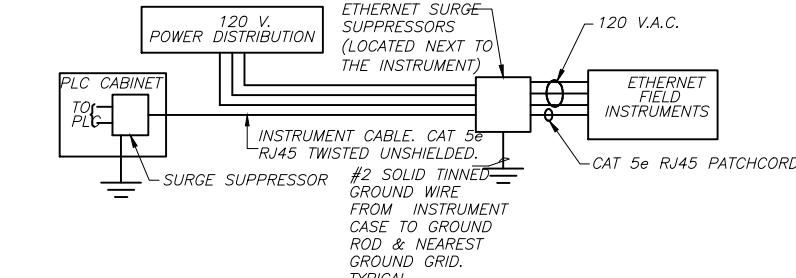
SIGNAL CABLE SHRINK TUBING

**TERMINATION OF SIGNAL CABLE CONTROL
CABLE DETAIL**

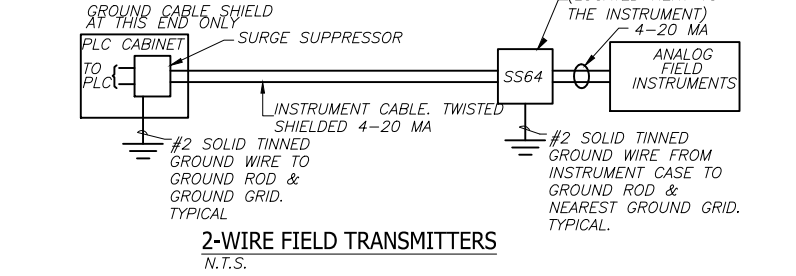
ES-5



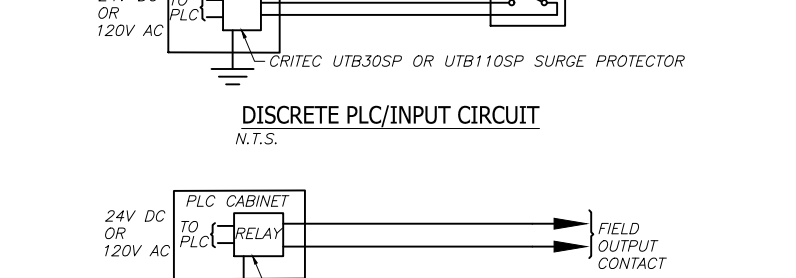
4-WIRE FIELD TRANSMITTERS
N.T.S.



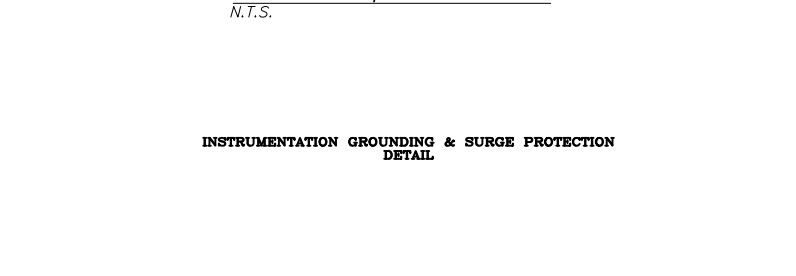
ETHERNET FIELD TRANSMITTERS
N.T.S.



2-WIRE FIELD TRANSMITTERS
N.T.S.



DISCRETE PLC/OUTPUT CIRCUIT
N.T.S.



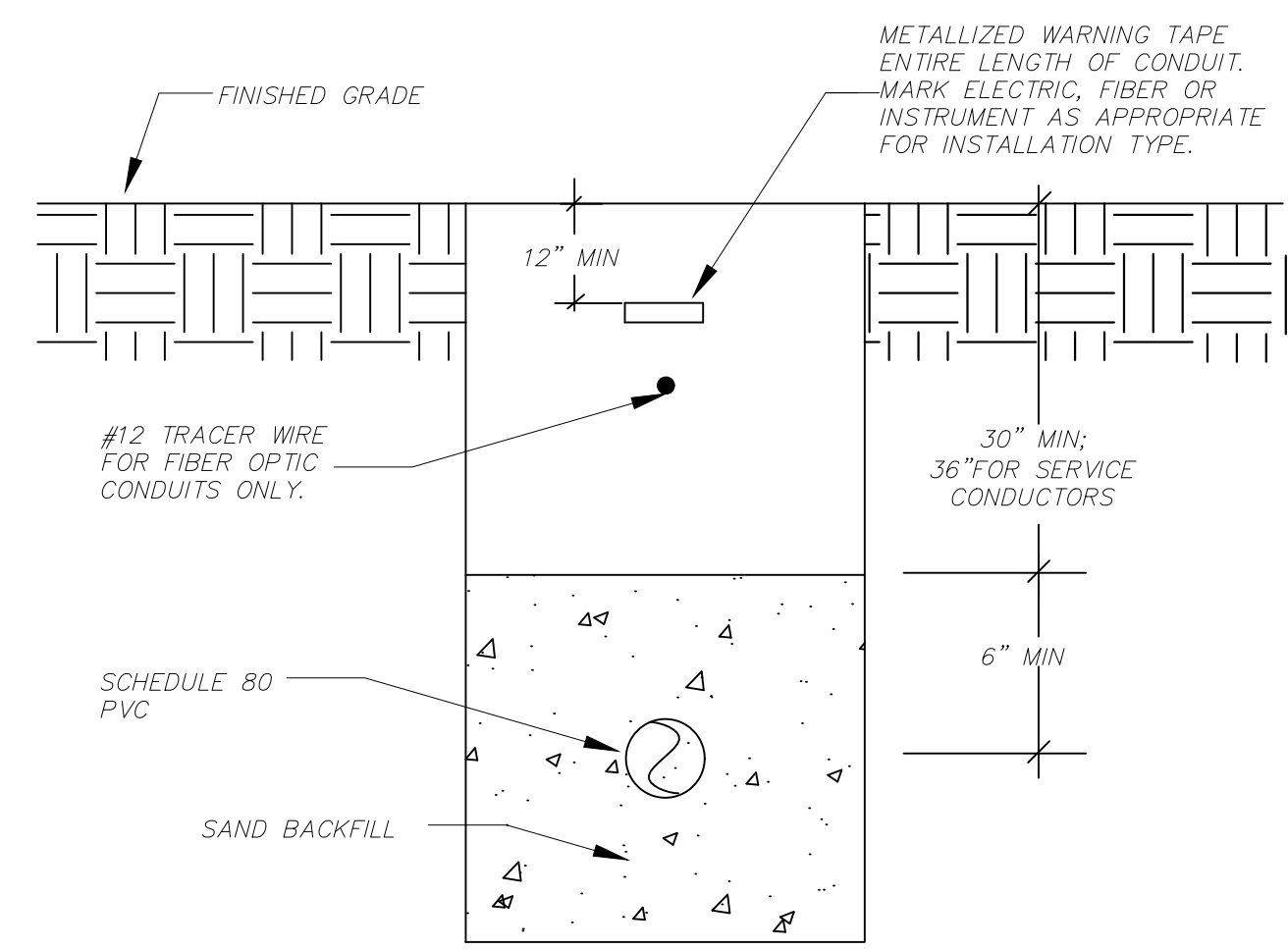
DISCRETE PLC/OUTPUT CIRCUIT
N.T.S.

**INSTRUMENTATION GROUNDING & SURGE PROTECTION
DETAIL**

ES-6

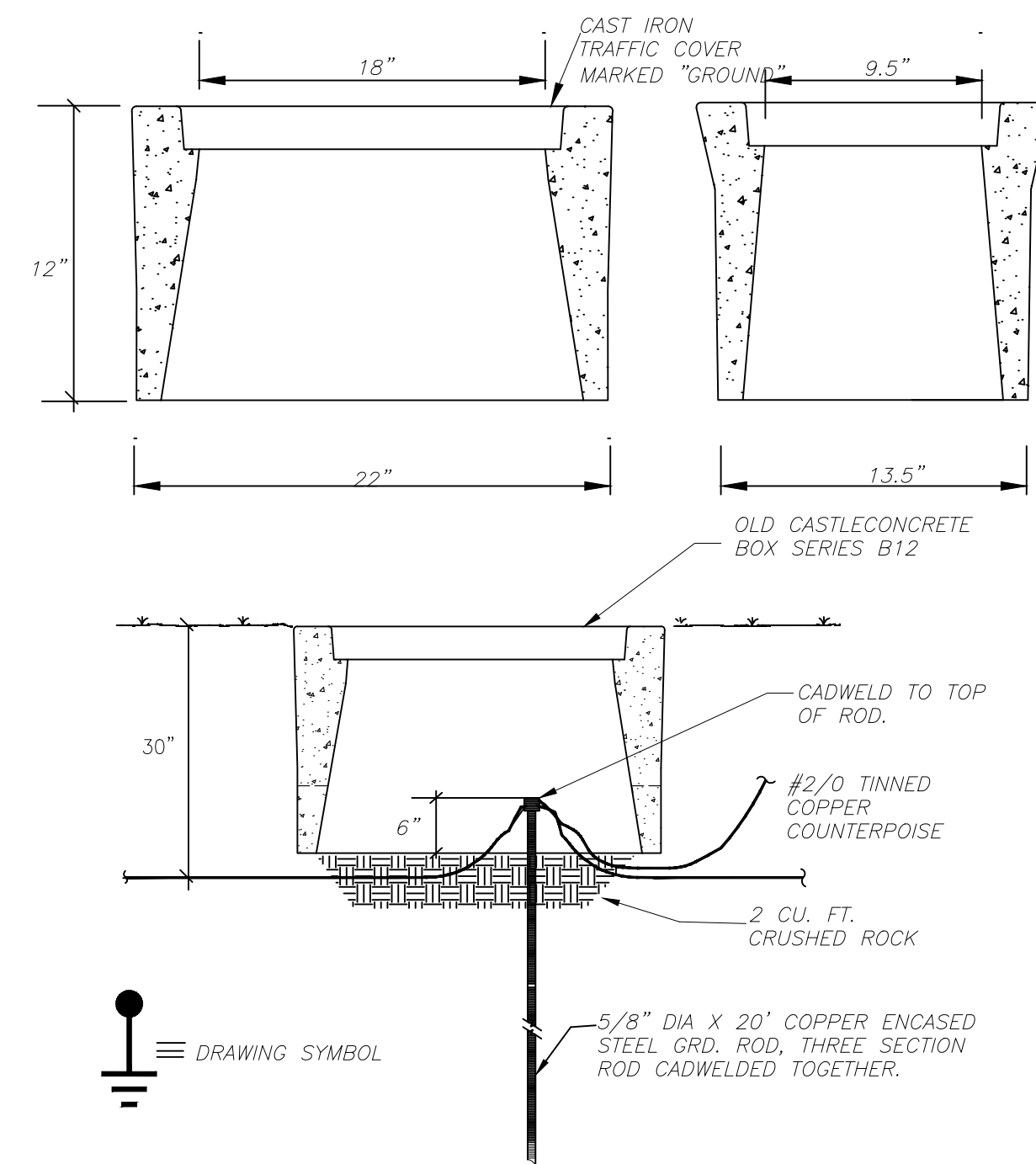
NOTE:
THIS DRAWING IS A LEE
COUNTY STANDARD DETAIL
AND THEREFORE DOES NOT
NEED TO BE SIGNED AND
SEALED

<p>LEE COUNTY SOUTHWEST FLORIDA</p>	<p>LEE COUNTY UTILITIES ENGINEERING</p>
	<p>1500 MONROE STREET FORT MYERS, FLORIDA 33901</p>
<p>SHEET TITLE: DUPLEX PUMP STATION TYPICAL DETAILS</p>	
<p>TITLE: STANDARD 240V 3PH DUPLEX PUMP STATION wSUBMERSIBLE PANEL-GENERATOR</p>	
<p>PROJECT: LIFT STATION DETAIL WITH GENERATOR AND SUBMERSIBLE PANEL</p>	
<p>PROJECT NO: 240V 3PH PS</p>	<p>FILE NAME: LS DETAIL wGENERATOR-SUBMERSIBLE PANEL</p>
<p>SHEET NUMBER 8 OF 9</p>	



UNDERGROUND CONDUIT INSTALLATION DETAIL


ES-7



GROUND ROD INSTALLATION DETAIL

ES-8

NOTE:
THIS DRAWING IS A LEE COUNTY STANDARD DETAIL AND THEREFORE DOES NOT NEED TO BE SIGNED AND SEALED

 LEE COUNTY SOUTHWEST FLORIDA 1500 MONROE STREET		LEE COUNTY UTILITIES ENGINEERING FORT MYERS, FLORIDA 33901	
SHEET TITLE: DUPLEX PUMP STATION TYPICAL DETAILS			
TITLE: STANDARD 240V 3PH DUPLEX PUMP STATION wSUBMERSIBLE PANEL-GENERATOR			
PROJECT: LIFT STATION DETAIL WITH GENERATOR AND SUBMERSIBLE PANEL			
PROJECT NO: 240V 3PH PS	FILE NAME: LS DETAIL wGENERATOR-SUBMERSIBLE PANEL	SHEET NUMBER: 9 OF 9	