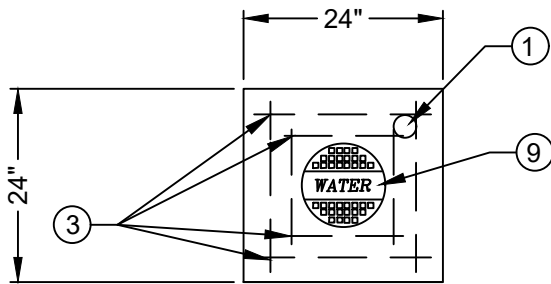
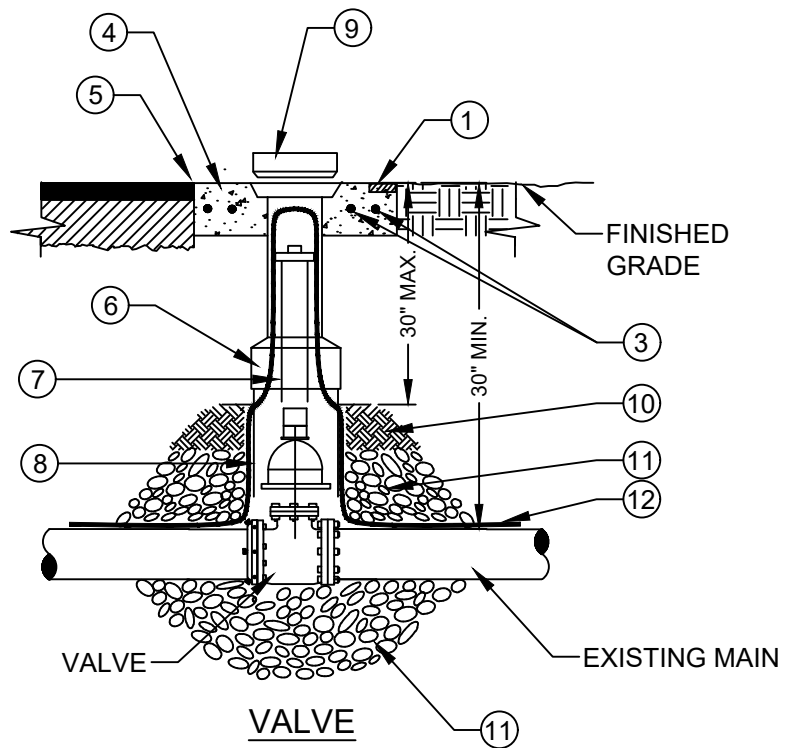


DETAIL




PLAN VIEW
(VALVE PAD)



VALVE

- ①. BRASS PLATE: SIZE OF VALVE, VALVE TYPE
NO. OF TURNS & DIRECTION TO OPEN
VALVE MFG & YEAR INSTALL
SYSTEM "WATER" OR "SEWER" OR "REUSE" OR "FIRE"
- ②. ANCHOR
- ③. EIGHT (8) #4 BARS OVERLAP EACH CORNER BY 2"
- ④. 24" SQ X 4" THK. CONC. PAD SURROUNDING BOX, MIN. 3000 P.S.I.
POURED IN PLACE
- ⑤. SET TOP OF BOX FLUSH WITH FINISHED GRADE
- ⑥. HEAVY DUTY TRAFFIC BEARING CAST IRON VALVE BOX, ADJUSTABLE SCREW
TYPE, 5 1/4" DIAMETER SHAFT THAT IS LCU APPROVED
- ⑦. EXTENSION STEM WITH 2" OPERATING NUT AS REQUIRED, IF NUT IS MORE
THAN 30" BELOW FINISH GRADE.
- ⑧. RISER NOT TO BEAR ON VALVE OR PIPE (RISER PIPE MATERIAL MUST BE PVC)
- ⑨. CAST IRON DROP COVER MARKED "WATER" OR "SEWER" OR "REUSE" OR "FIRE"
- ⑩. COMPACTED SUITABLE EARTH BACKFILL
- ⑪. 3/4" GRANULAR MATERIAL #57 STONE
- ⑫. 10 GAUGE DOUBLE INSULATED COPPER LOCATING WIRE
(SEE LCU DETAIL G-03)

	LEE COUNTY UTILITIES ENGINEERING <small>1500 MONROE STREET FORT MYERS, FLORIDA 33901</small>	
	TITLE: GATE VALVE	
<small>REVISION:</small> 1/26/24	<small>DETAIL NO:</small> G-02.dwg	

NOT TO SCALE