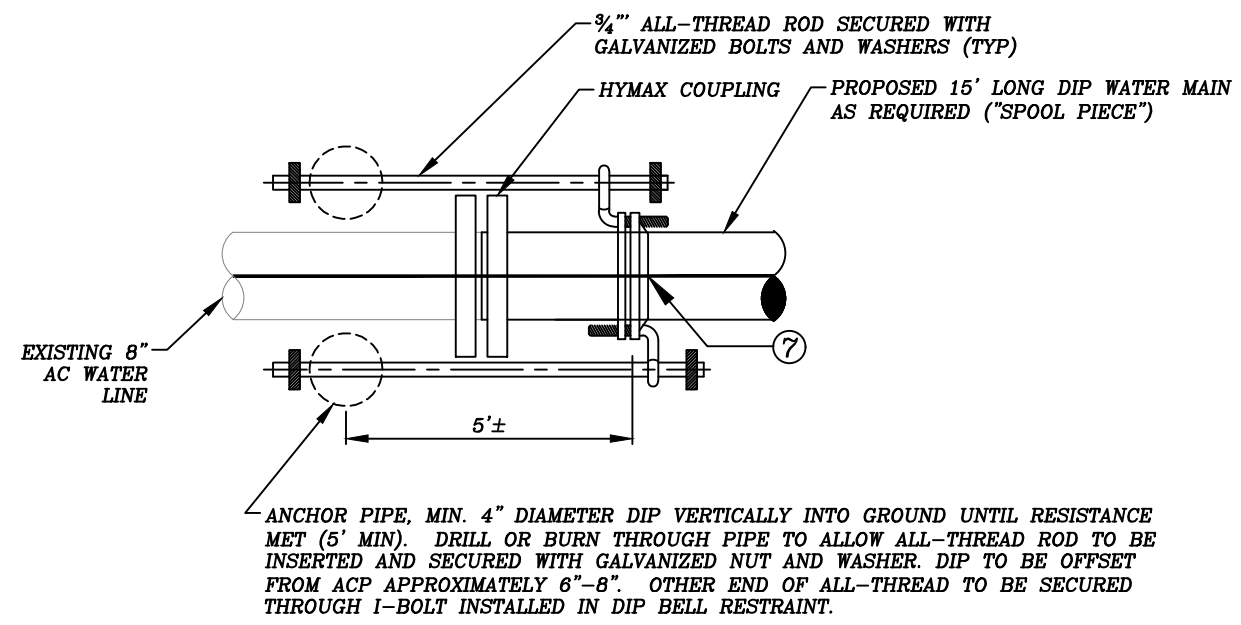


ANCHOR PIPE, MIN. 4" DIAMETER DIP VERTICALLY INTO GROUND UNTIL RESISTANCE MET (5' MIN). DRILL OR BURN THROUGH PIPE TO ALLOW ALL-THREAD ROD TO BE INSERTED AND SECURED WITH GALVANIZED NUT AND WASHER. DIP TO BE OFFSET FROM ACP APPROXIMATELY 6"-8". OTHER END OF ALL-THREAD TO BE SECURED THROUGH 1-BOLT INSTALLED IN DIP BELL RESTRAINT.


ANCHOR PIPE, MIN. 4" DIAMETER DIP VERTICALLY INTO GROUND UNTIL RESISTANCE MET (5' MIN). DRILL OR BURN THROUGH PIPE TO ALLOW ALL-THREAD ROD TO BE INSERTED AND SECURED WITH GALVANIZED NUT AND WASHER. DIP TO BE OFFSET FROM ACP APPROXIMATELY 6"-8". OTHER END OF ALL-THREAD TO BE SECURED THROUGH 1-BOLT INSTALLED IN DIP BELL RESTRAINT.

- ① LCU APPROVED JOINT RESTRAINT FOR D.I., M.J. PIPE AND FITTINGS PLACED IN ACCORDANCE WITH JOINT RESTRAINT SCHEDULE. (SEE DETAIL 6.12)
- ② CONFLICT PIPE
- ③ LCU APPROVED DUCTILE IRON PIPING PRESSURE CLASS 350
- ④ 18" MIN. UNLESS OTHERWISE APPROVED BY LCU
- ⑤ 45° MECHANICAL JOINT FITTING, TYPICAL
- ⑥ 10 GAUGE DOUBLE INSULATED COPPER WIRE (SEE LCU STANDARD DETAIL)
- ⑦ BELL RESTRAINT



RESTRAINT PLAN VIEW

NOT TO SCALE

	LEE COUNTY UTILITIES ENGINEERING <small>1500 MONROE STREET FORT MYERS, FLORIDA 33901</small>
	TITLE: AC MAIN CONNECTION WITH RESTRAINTS
REVISION: 3/20/24	DETAIL NO: G-15.dwg