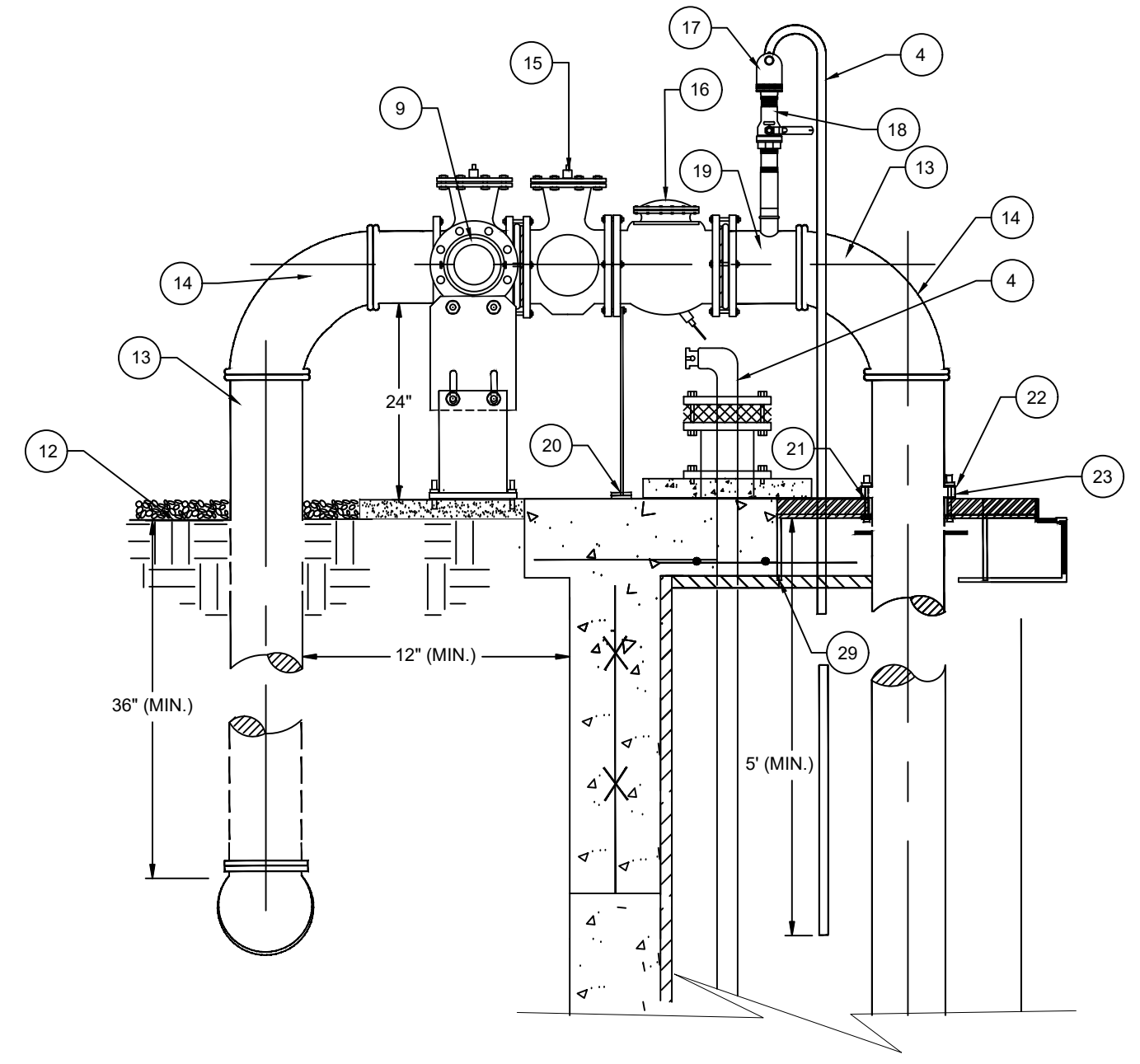
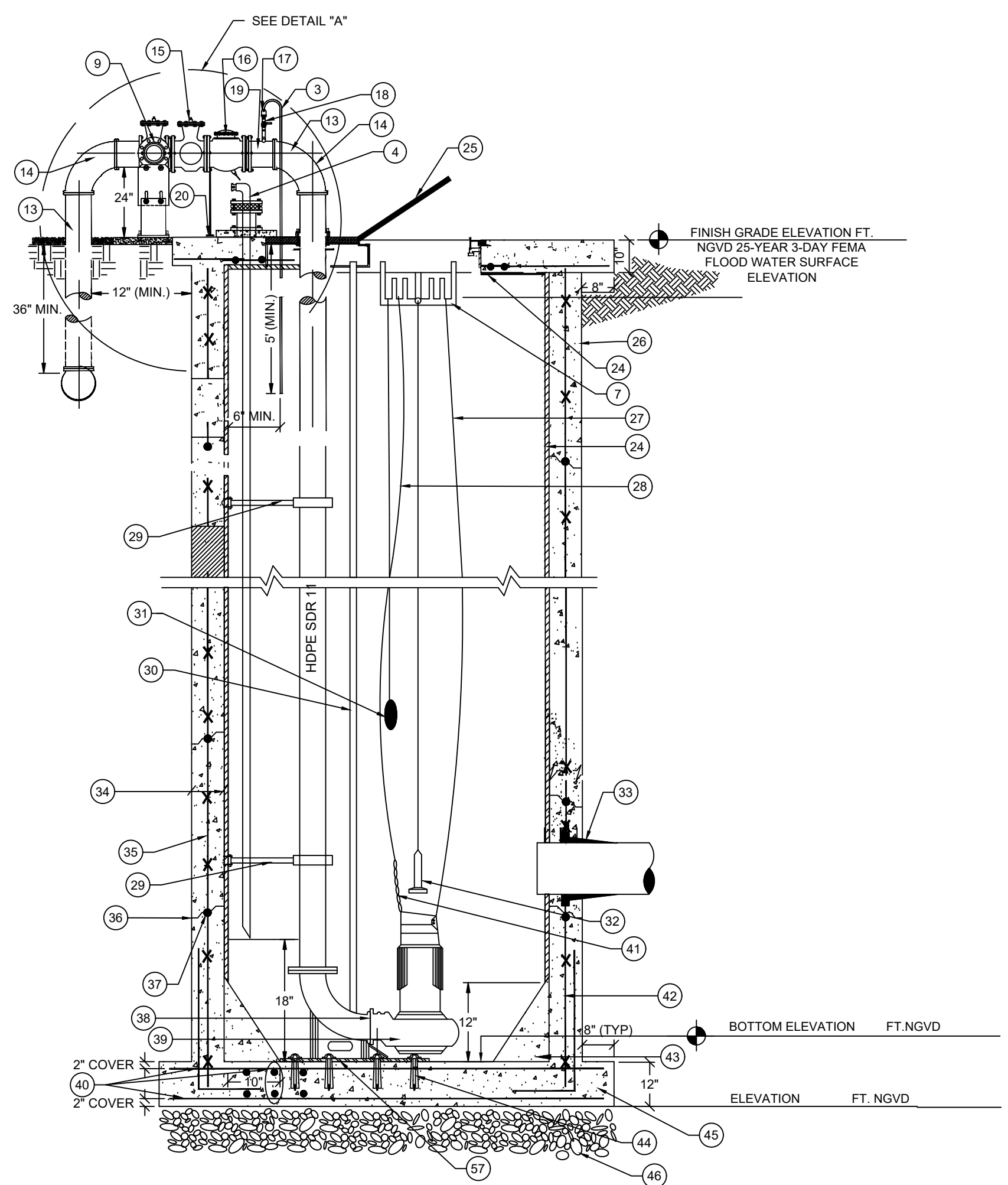


WETWELL PLAN

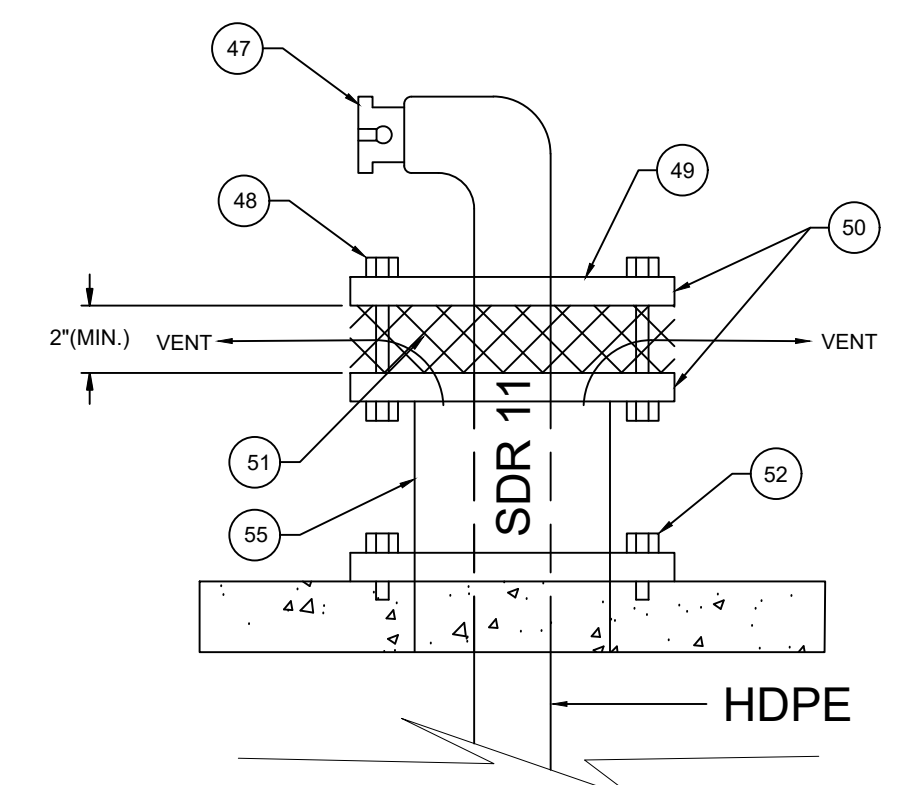
NOTES:
 CONTRACTOR TO SET PUMPS AND ACCESS COVER TO ENSURE ACCURATE ALIGNMENT OF GUIDE RAILS.
 CONDUIT FOR PUMP POWER CABLES & FLOAT SWITCH CABLES, PLACEMENT IS TO BE DETERMINED BY LOCATION OF CONTROL PANEL.



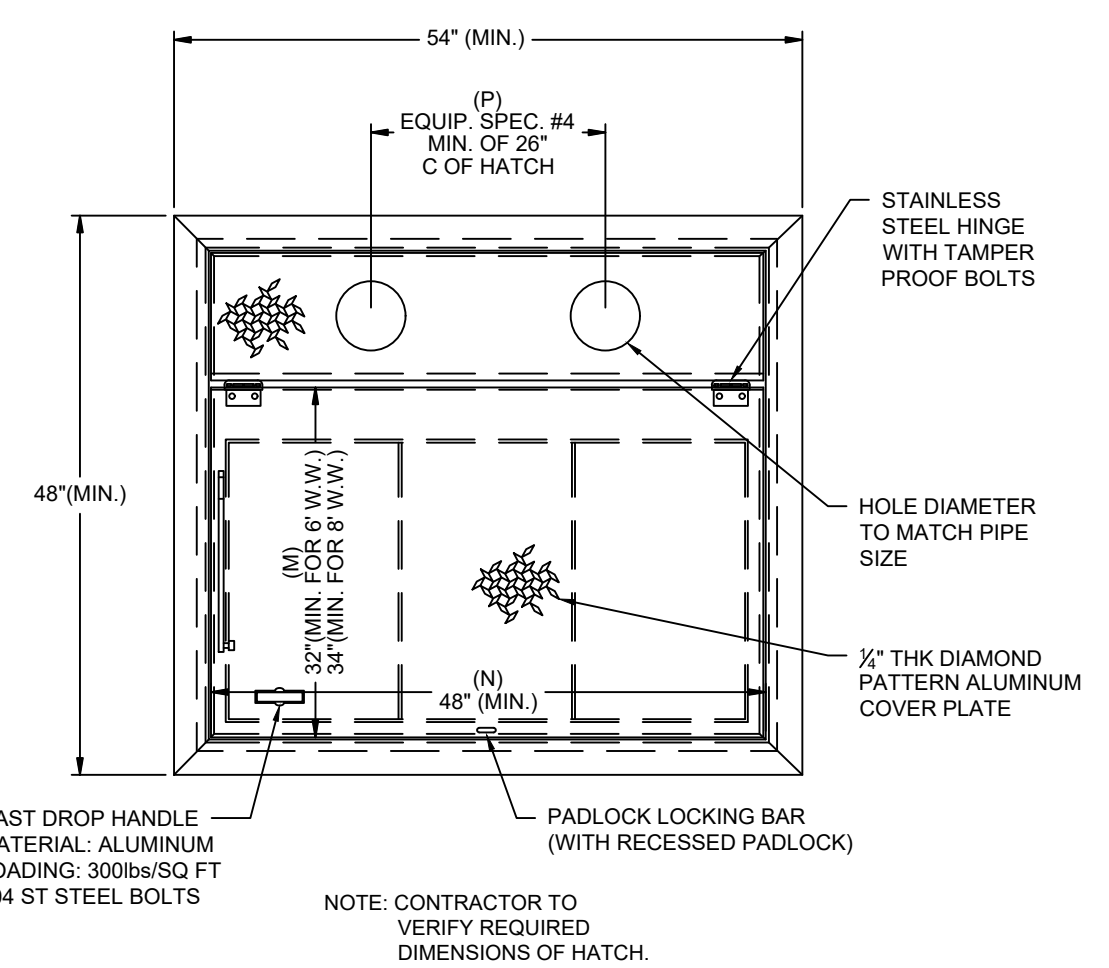
DETAIL "A"



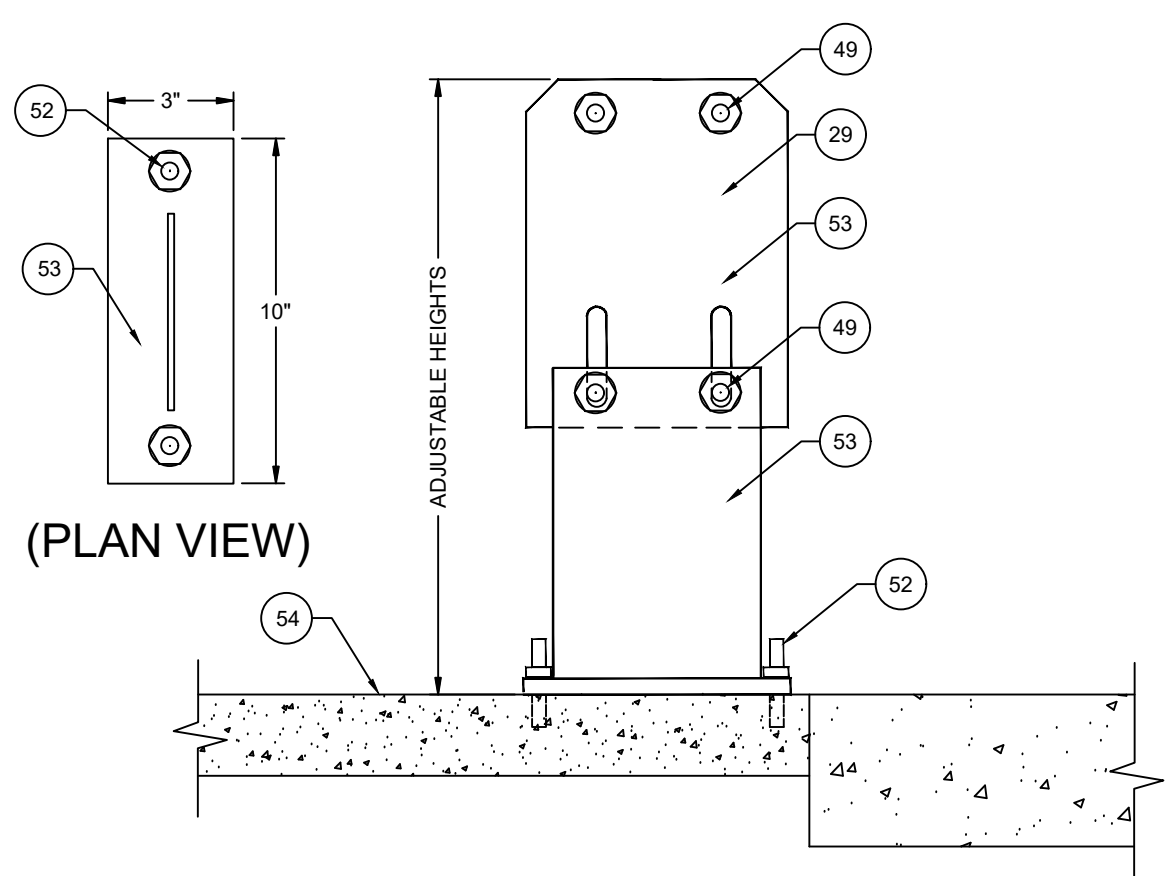
SECTION



EMERGENCY PUMP OUT AND AIRVENT DETAIL

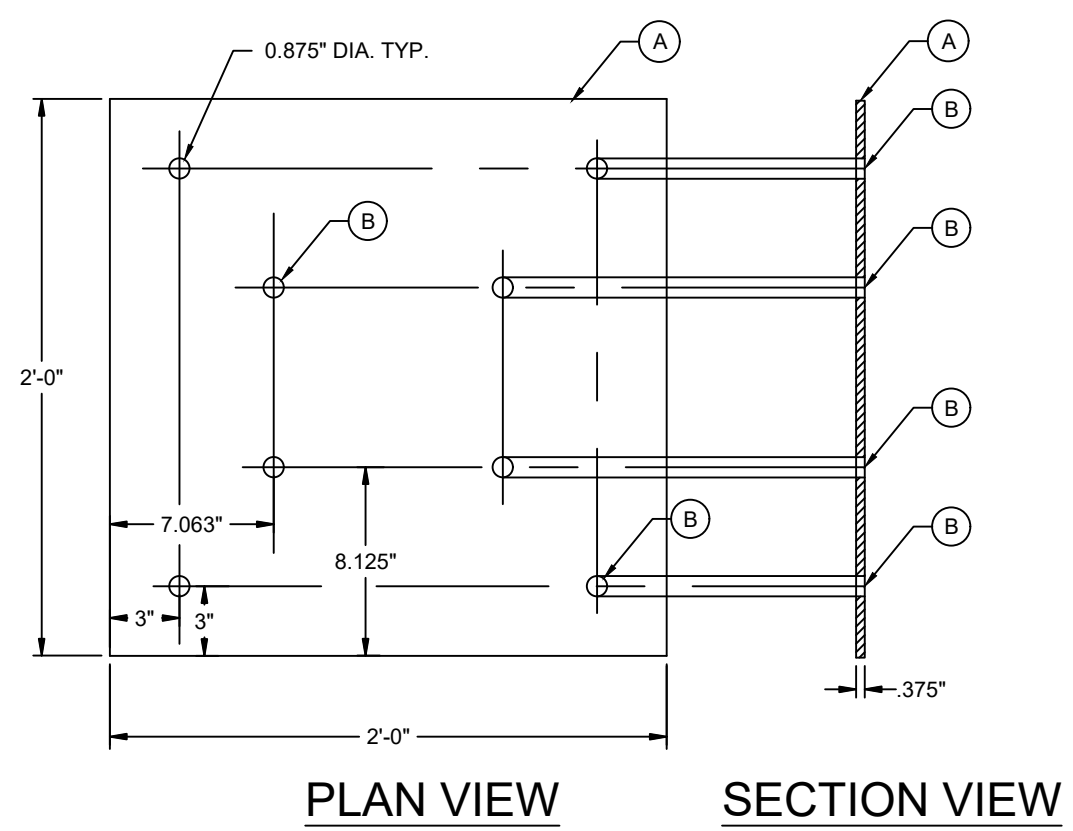


WETWELL ACCESS HATCH



(PLAN VIEW)

PIPE SUPPORT DETAIL (INSTALLED AT PLUG VALVE & PUMP OUT)



PLAN VIEW

SECTION VIEW

- (A) 316 STAINLESS STEEL BASE PLATE
- (B) 3/4" DIA. X 8" STAINLESS STEEL WEDGE BOLT SCREW ANCHORS, (8 EA)

PUMP DISCHARGE BASEPLATE

GENERAL NOTES AND REQUIREMENTS

- (1) 1/2" THK. SERIES 300 STAINLESS STEEL HOOKS FOR HOIST CABLES
- (2) PLUG VALVE
- (3) PVC DRAIN LINE FROM AIR RELEASE VALVE TO WETWELL
- (4) EMERGENCY PUMP OUT AND AIRVENT (SAME DIAMETER AS DISCHARGE PIPING) (SEE DETAIL)
- (5) GUIDE RAILS
- (6) SPOOL PIECE
- (7) STAINLESS STEEL FLOAT CABLE SUPPORT
- (8) INFLUENT PIPE INSTALLED RADIALLY FROM WETWELL CENTER
- (9) FEMALE QUICK CONNECT COUPLER WITH CAP & PLUG VALVE
- (10) POWER CABLE
- (11) FLOAT CONTROLS
- (12) FILTER CLOTH WITH 4" OF COMPACTED #57 STONE
- (13) HDPE PIPE
- (14) LONG RADIUS 90° BEND
- (15) PLUG VALVE (PAINT BLACK)
- (16) SWING FLEX CHECK VALVE (PAINT BLACK)
- (17) 2" AUTOMATIC AIR RELEASE VALVE, (SEE LCU APPROVED MATERIAL LIST) ON EACH DISCHARGE PIPE
- (18) 2" STAINLESS STEEL BALL VALVE (SEE APPROVED MATERIAL LIST)
- (19) HDPE BRANCH SADDLE PE 3408 ASTM D3380 (BLACK) WITH FEMALE THREADED INSERT BRASS ALLOY STAINLESS COMPRESSION RING GRADE TYPE 304 OR 316
- (20) STAINLESS STEEL PIPE SUPPORT (SEE DETAIL)
- (21) NEOPRENE GASKET
- (22) STAINLESS STEEL FLANGE RING
- (23) HDPE RIM (FUSED TO HDPE PIPE)
- (24) LINER OR COATING (SEE LCU APPROVED MATERIAL LIST)
- (25) ALUMINUM WETWELL HATCH (SEE DETAIL)
- (26) COAL TAR EPOXY (BELOW FINISHED GRADE)
- (27) SENSOR CABLE
- (28) SERIES 316 STAINLESS STEEL 1/2" CABLE
- (29) SERIES 316 STAINLESS STEEL PIPE SUPPORT
- (30) 2" SERIES 316 STAINLESS STEEL GUIDE RAILS
- (31) HIGH WATER ALARM SIGNAL ON
- (32) SUBMERSIBLE LEVEL TRANSMITTER
- (33) CAST IN PLACE FLEXIBLE PIPE CONNECTION WITH SERIES 316 STAINLESS STEEL CLAMP C-923, CHARDON RUBBER, O/E (TYP.)
- (34) WALL THICKNESS 8" MIN.
- (35) STEEL REINFORCEMENT
- (36) RAM-NEK BLANKET OUTER SIDE OF WETWELL
- (37) RAM-NEK OR EQUAL PREFORMED PLASTIC GASKET MATERIAL BETWEEN PRECAST UNITS (TYP.)
- (38) AUTOMATIC DISCHARGE CONNECTION TO SUIT PUMP
- (39) SUBMERSIBLE PUMPS
- (40) #5 AT 8" CENTER
- (41) SERIES 316 STAINLESS STEEL 3/8" CHAIN (1'-8" LONG)
- (42) #4 AT 8" CENTER
- (43) CONC. OR PORTLAND TYPE II & SAND MIX
- (44) 3/4" DIA. X 8" STAINLESS STEEL WEDGE BOLT SCREW ANCHORS, 8 EA REFER TO LCU STANDARD DETAIL
- (45) BASE SECTION TO BE A MONOLITHIC CASTING
- (46) 12" MIN COMPACTED #57 STONE
- (47) CAM LOCK COUPLING ON EMERGENCY PUMP OUT
- (48) STAINLESS STEEL BOLTS
- (49) BLIND FLANGE
- (50) STAINLESS STEEL CLAMP
- (51) STAINLESS STEEL SCREEN CLOTH
- (52) STAINLESS STEEL CONCRETE BOLTS
- (53) 3/4" STAINLESS STEEL
- (54) 4" THICK 3,000 P.S.I. CONCRETE SLAB
- (55) AIR VENT TO BE 2PIPE SIZES LARGER THAN EMERGENCY PUMP OUT. THE ACTUAL LOCATION IS TO BE DETERMINED IN THE FIELD.
- (56) LCU PREFERS THE LIFT STATION FENCE TO HAVE DARK GREEN VINYL COATING. HOWEVER, BLACK VINYL IS ACCEPTABLE.
- (57) PUMP DISCHARGE BASE PLATE (SEE DETAIL)

NUMBER OF PUMPS	# 1	# 2	# 3
PUMP MANUFACTURER			
PUMP MODEL NUMBER			
IMPELLER NUMBER			
TYPE OF PUMP			
DESIGN CAPACITY PER PUMP			(GPM)
TOTAL DYNAMIC HEAD			(FEET)
SHUT-OFF HEAD			(FEET)
DESIGN SPEED			(PRM)
MIN. HORSEPOWER PER PUMP			(HP)
VOLTS			(VOLTS)
PHASE POWER			(PH)
PUMP DISCHARGE SIZE			(INCHES)
DIAMETER RISER PIPE			(INCHES)
PUMP ON ELEVATION			(FEET)
HIGH WATER ALARM			(FEET)
PUMP OFF ELEVATION			(FEET)
DIAMETER PIPE AFTER RISER			(INCHES)
DIAMETER WETWELL (I.D.)			(FEET)
TOP OF WETWELL ELEVATION			(FEET)
BOTTOM ELEVATION			(FEET)
INFLUENT GRAVITY PIPE ELEVATION			(FEET)

	BASIS OF DESIGN		
	ADF (gpm)	PHF (gpm)	EDU (1 EDU=250 gpd)
EXISTING			
INTERIM			
FUTURE			

PUMP CURVE

T									
O									
T									
A									
L									
D									
Y									
N									
A									
M									
I									
C									
H									
E									
A									
D									
F									
E									
E									
T									

FLOW US GPM