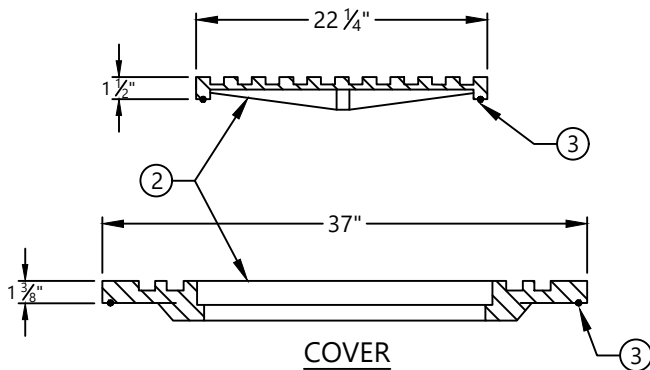
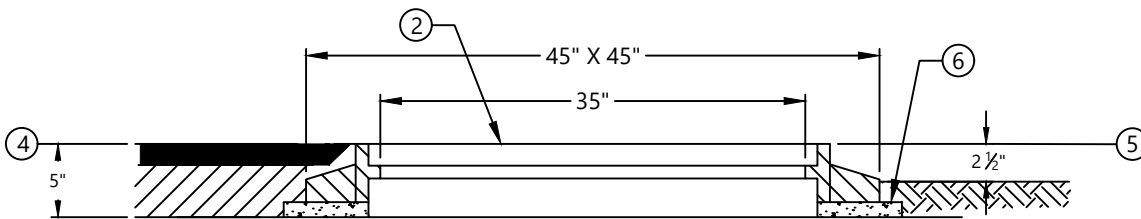


(PLAN VIEW)



COVER



FRAME

FOR TRAFFIC AREAS OR IN ROAD RIGHTS OF WAY

(SECTION VIEW)

- ① 1 3/16" DIA HOLE FOR 3/4" ANCHOR BOLT
2 HOLES LOCATED 180° APART
- ② MACHINED SURFACE
- ③ DOVETAIL GROOVE & "O" RING GASKET
- ④ SET TOP OF COVER FLUSH WITH PAVEMENT IN PAVED AREA
- ⑤ SET TOP OF COVER 2 1/2" ABOVE FINISHED GRADE IN UNPAVED AREAS
- ⑥ GROUT TYP.

NOT TO SCALE

	LEE COUNTY UTILITIES ENGINEERING <small>1500 MONROE STREET FORT MYERS, FLORIDA 33901</small>	
	MASTER MANHOLE COVER	
<small>REVISION:</small> 3/7/24	<small>DETAIL NO:</small> S-03.dwg	