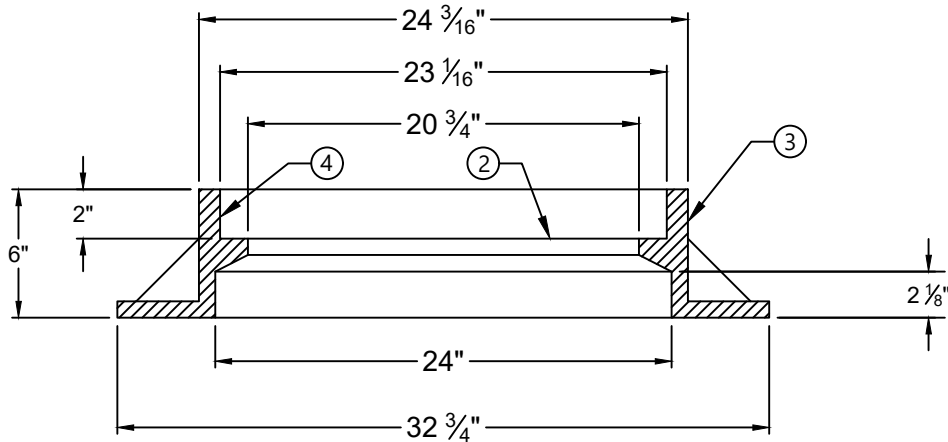


(PLAN VIEW)

NOTE:
MATERIAL: CAST IRON,
SEE APPROVED
MATERIAL LIST


- ① (2) 1 13/16" DIA. ANCHOR HOLES 180° APART
- ② MACHINE SURFACES
- ③ 2° TAPER
- ④ 4° TAPER



(SECTION VIEW)

NOTE:
COVER WEIGHT 130 LBS (APPROX.)
RING WEIGHT 195 LBS (APPROX.)

NOT TO SCALE

	LEE COUNTY UTILITIES ENGINEERING <small>1500 MONROE STREET FORT MYERS, FLORIDA 33901</small>	
	TITLE: MANHOLE FRAME RING	
<small>REVISION:</small> 3/8/24	<small>DETAIL NO:</small> S-05.dwg	