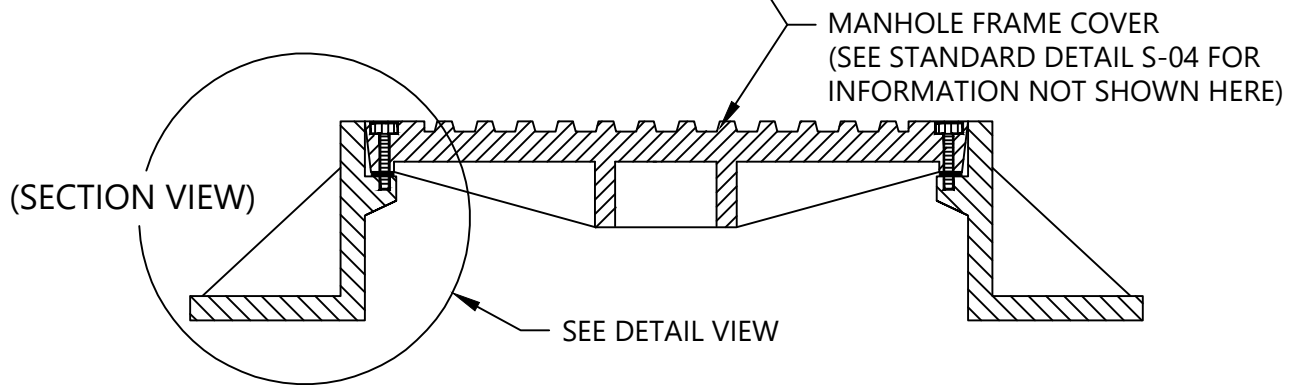


(PLAN VIEW)

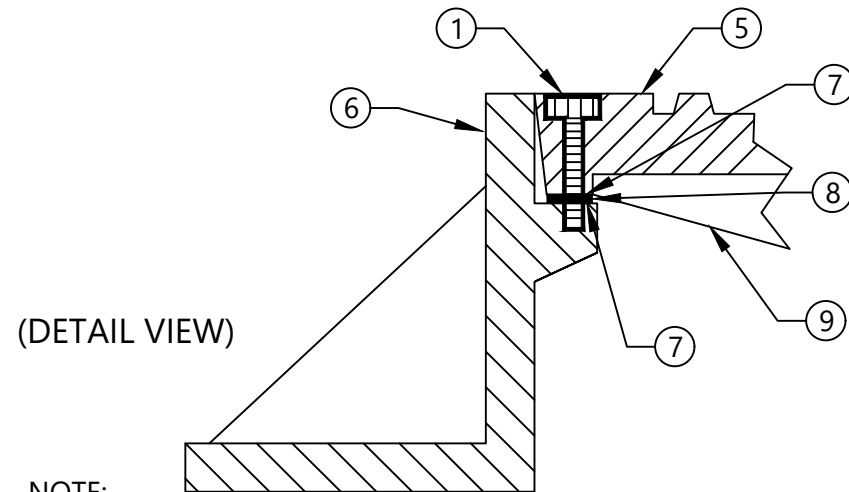
- ①. 4 1/2" DIA. X 2 1/2" LONG S.S. BOLTS (TYP.)
- ②. 2 NON PENETRATING PICKHOLES
- ③. 1 3/16" DIA HOLE FOR 3/4" ANCHOR BOLT 2 HOLES LOCATED 180° APPART
- ④. 3/4" HIGH LETTERS
- ⑤. MANHOLE COVER



(SECTION VIEW)

MANHOLE FRAME COVER  
(SEE STANDARD DETAIL S-04 FOR INFORMATION NOT SHOWN HERE)

SEE DETAIL VIEW




(DETAIL VIEW)

- ⑥. M.H. FRAME RING
- ⑦. MACHINED BEARING SEAT
- ⑧. CONTINUOUS FLAT GASKET
- ⑨. PROTECTIVE SKIRT

NOTE:

COVER WEIGHT 130 LBS (APPROX.)  
RING WEIGHT 195 LBS (APPROX.)

**NOT TO SCALE**

|  |   |  |
|--|---|--|
|  | LEE COUNTY<br>UTILITIES<br>ENGINEERING<br>1500 MONROE STREET<br>FORT MYERS, FLORIDA 33901 |  |
|  | TITLE: <b>SEALED MANHOLE FRAME RING</b>   |  |
| REVISION: 5/30/24  | DETAIL NO: S-06.dwg   |  |