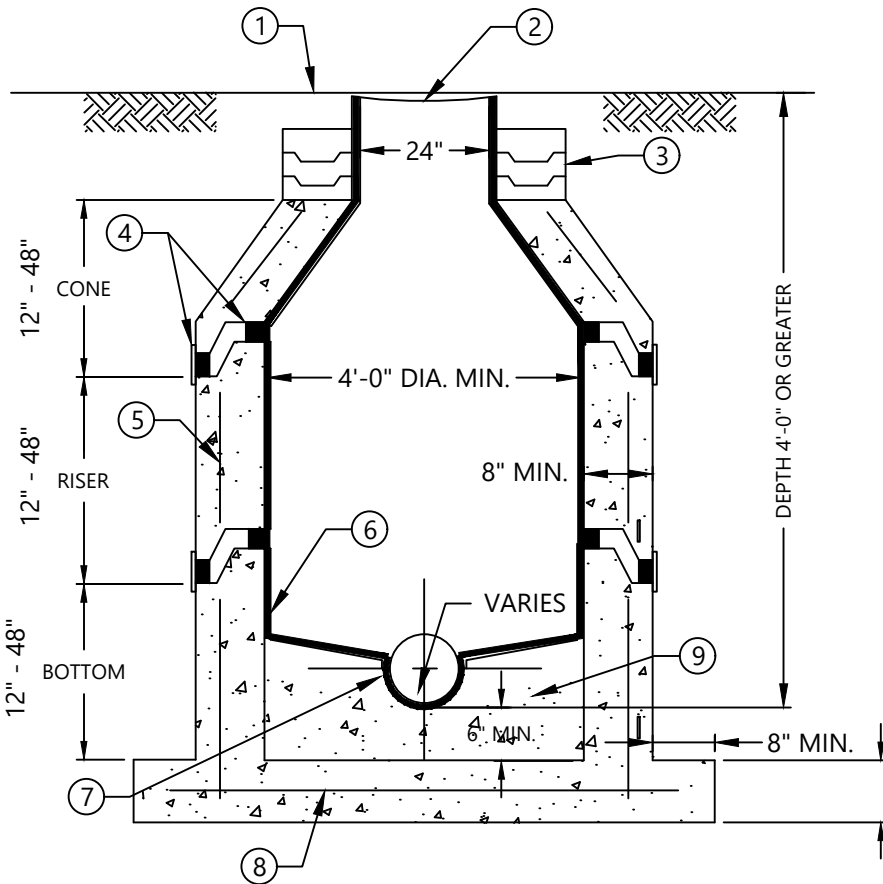


TOP PLAN VIEW




SECTION VIEW

- ① FINISHED GRADE
- ② MANHOLE RING & COVER (SEE DETAILS S-03, S-04 & S-05 AND APPROVED MATERIALS LIST)
- ③ 4" MIN., PRECAST CONCRETE ADJUSTING RINGS. TOTAL HEIGHT OF CHIMNEY NOT TO EXCEED 12" UNLESS OTHERWISE APPROVED BY LCU
- ④ ALL JOINTS SHALL BE SEALED ON INTERIOR & EXTERIOR WITH A FLEXIBLE PREFORMED BITUMASTIC JOINT MATERIAL. WRAP TAPE AROUND OUTSIDE OF MANHOLE AT ALL JOINTS. (SEE APPROVED MATERIAL LIST)
- ⑤ REINFORCED PRECAST CONCRETE CLASS "A" TYPE II 4,000 PSI
- ⑥ INTERIOR COATING/LINER (SEE APPROVED MATERIAL LIST) SYSTEM TO COVER ENTIRE BENCH AND INVERT CHANNEL
- ⑦ BUILD BENCH TO SPRING LINE OR ABOVE
- ⑧ #5 BARS @ 12" O.C. E.W. TYPICAL
- ⑨ POURED CONCRETE. NO BRICK OR GRAVEL

8" IF 13' OR LESS DEEP  
 12" IF GREATER THAN  
 13' DEEP

**NOT TO SCALE**

	LEE COUNTY UTILITIES ENGINEERING <small>1500 MONROE STREET          FORT MYERS, FLORIDA 33901</small>	
	<b>TITLE: PRECAST MANHOLE          CONCENTRIC</b>	
REVISION: 3/21/24	DETAIL NO: S-07.dwg	