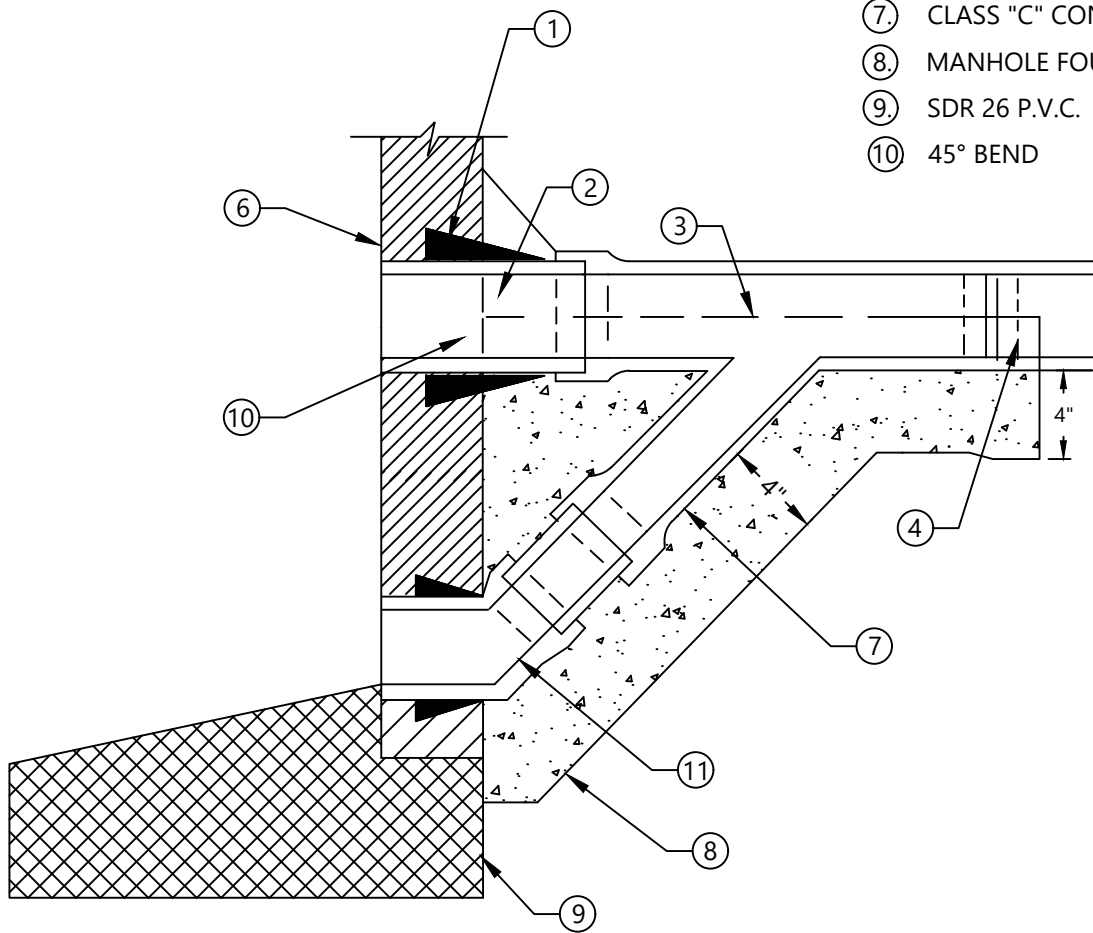



- ①. CAST IN PLACE FLEX PIPE CONNECTION BOOT W/SERIES 300 S.S. AND RUBBER BOOT
- ②. STUB PIPE
- ③. CONCRETE TO SPRING LINE OF PIPE
- ④. COMPRESSION COUPLING CONNECTION OR APPROVED EQUAL
- ⑤. MANHOLE WALL
- ⑥. WYE
- ⑦. CLASS "C" CONCRETE WIDTH OF TRENCH
- ⑧. MANHOLE FOUNDATION
- ⑨. SDR 26 P.V.C.
- ⑩. 45° BEND



**NOT TO SCALE**

	<b>LEE COUNTY UTILITIES ENGINEERING</b> <small>1500 MONROE STREET FORT MYERS, FLORIDA 33901</small>	
	<b>TITLE: OPTIONAL MANHOLE DROP 2' TO 4'</b>	
<small>REVISION:</small>	<b>3/21/24</b>	<small>DETAIL NO:</small>
		<b>S-10.dwg</b>