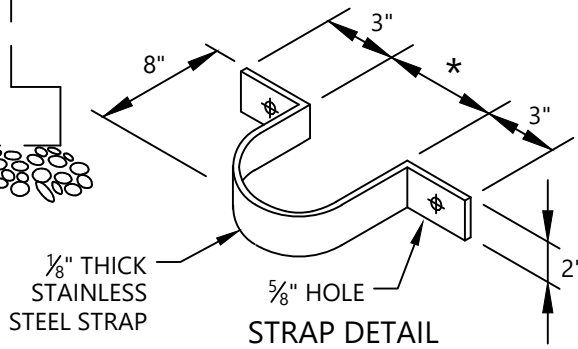


- ① EXISTING GRADE
- ② EXISTING MANHOLE
- ③ P.V.C. TEE
- ④ CORE DRILL MANHOLE AND FILL VOID WITH NON-SHRINK GROUT
- ⑤ COMPRESSION COUPLING
- ⑥ P.V.C. SEWER
- ⑦ CRUSHED STONE BEDDING
- ⑧ STRAP AT TEE ELBOW AND ON 4' CENTERS WITH 1/2" DIA. EXPANSION TYPE S.S. CINCH BOLTS & S.S. ANCHORS
- ⑨ * 90° BEND RESTING ON RE-FORMED CHANNEL AND TURNED IN DIRECTION OF EXISTING SEWER FLOW
- ⑩ * EXIST. SEWER


* PIPE SIZE VARIES

NOTE:
 THE CONSTRUCTION OF AN INSIDE DROP MANHOLEIS ONLY PERMITTED WITH PRIOR APPROVAL OF AUTHORITY.

SECTION



NOT TO SCALE

	LEE COUNTY UTILITIES ENGINEERING <small>1500 MONROE STREET FORT MYERS, FLORIDA 33901</small>	
	TITLE: INSIDE MANHOLE DROP	
REVISION: 3/22/24	DETAIL NO: S-11.dwg	