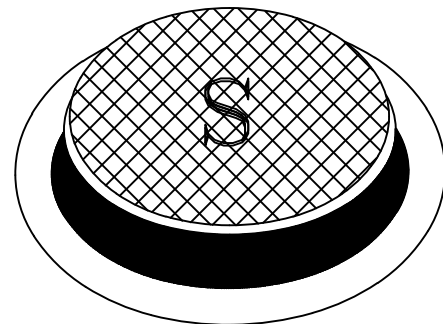
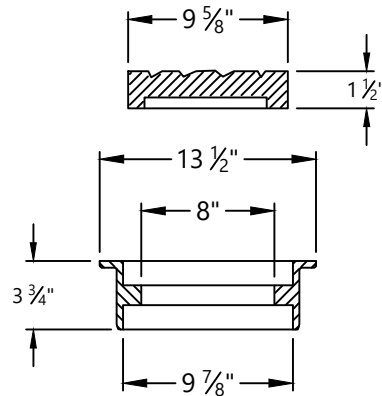


- ①. IN ALL CASES USE TRAFFIC BEARING HANDHOLE RING & COVER OR EQUAL ADJUSTED TO FINAL GRADE WITH CLEANOUT RECESSER
- ②. 6" OR 8" THREADED CAP
- ③. 6" OR 8" PVC FEMALE ADAPTER
- ④. 6" OR 8" PVC RISER
- ⑤. CONCRETE COLLAR 24"X 24"X4"
- ⑥. 6" OR 8" 45° ELBOW
- ⑦. W/WATERTIGHT PLUG
- ⑧. THE CONNECTION MUST BE MADE TO THE DOUBLE 45° WYE (SIZE TBD)
- ⑨. 6" OR 8" PVC SEWER PIPE


REVERSIBLE HANDHOLE RING AND COVER



COVERS ARE MARKED WITH "S"

COVER TYPE	LOAD RATING	COVER WEIGHT	TOTAL WEIGHT
FE	HEAVY DUTY	20	45

NOT TO SCALE

	LEE COUNTY UTILITIES ENGINEERING <small>1500 MONROE STREET FORT MYERS, FLORIDA 33901</small>	
	TITLE: 6" TO 8" SEWER CLEANOUT	
<small>REVISION:</small> 4/2/24	<small>DETAIL NO:</small> S-14.dwg	