

**DUPLEX PUMP STATION
ELECTRICAL DRAWING INDEX**

STANDARD DRAWINGS

- E-1 ELECTRICAL DRAWING INDEX
- E-2 ELECTRICAL SYMBOLS LEGEND & ABBREVIATIONS

DUPLEX PUMP STATION SITES

- E-3 STANDARD 208V-3Ø (0-30HP) DUPLEX PUMP STATION POWER, BONDING & GROUNDING PLAN
- E-4 STANDARD 208V-3Ø (0-30HP) DUPLEX PUMP STATION ELECTRICAL EQUIPMENT RACK ELEVATION
- E-5 STANDARD 208V-3Ø (0-30HP) DUPLEX PUMP STATION ELECTRICAL RISER DIAGRAM
- E-6 STANDARD 208V-3Ø (0-30HP) DUPLEX PUMP STATION CONTROL PANEL ELEVATION
- E-7 STANDARD 208V-3Ø (0-30HP) DUPLEX PUMP STATION CONTROL PANEL ELEMENTARY DRAWING
- E-7 STANDARD 208V-3Ø (0-30HP) DUPLEX PUMP STATION CONTROL PANEL ELEMENTARY DRAWING
- E-8 STANDARD 208V-3Ø (0-30HP) DUPLEX PUMP STATION CONTROL PANEL ELEMENTARY DRAWING
- E-8 STANDARD 208V-3Ø (0-30HP) DUPLEX PUMP STATION CONTROL PANEL ELEMENTARY DRAWING
- E-9 STANDARD 208V-3Ø (0-30HP) DUPLEX PUMP STATION CONTROL PANEL ELEMENTARY DRAWING
- E-9 STANDARD 208V-3Ø (0-30HP) DUPLEX PUMP STATION CONTROL PANEL ELEMENTARY DRAWING
- E-10 STANDARD 208V-3Ø (0-30HP) DUPLEX PUMP STATION CONTROL PANEL ELEMENTARY DRAWING
- E-11 STANDARD 208V-3Ø (0-30HP) DUPLEX PUMP STATION DATA COLLECTOR INSTALLATION DRAWING

STANDARD DETAIL DRAWINGS

- ES-1 JUNCTION BOX AND TERMINAL STRIP INSTALLATION AT CONTROL PANEL LOCATION
- ES-2 GROUNDING DETAILS
- ES-3 STREAMER RETARDING FIXTURE AIR TERMINAL FIXTURE POLE MOUNTED
- ES-4 LEVEL TRANSMITTER DETAIL
- ES-5 TERMINATION OF SHIELDED INSTRUMENT CONTROL CABINET DETAIL
- ES-6 INSTRUMENT GROUNDING & SURGE PROTECTION DETAIL
- ES-7 UNDERGROUND CONDUIT INSTALLATION
- ES-8 GROUND ROD INSTALLATION DETAIL

GENERAL NOTE:

SITE SPECIFIC CONDITIONS DETERMINE THE CLASSIFICATION OF PUMP STATION IN ACCORDANCE WITH FDEP STANDARDS AND MUST BE DETERMINED BY THE DESIGN ENGINEER FOR EACH SPECIFIC PROJECT.

SUBMITTAL REQUIREMENT:


LEE COUNTY UTILITIES REQUIRES PUMP STATION SUBMITTALS BE PROVIDED FOR THEIR REVIEW TO ENSURE COMPLIANCE WITH THE LCU PUMP STATION STANDARDS.

ELECTRICAL DRAWING
INDEX

E - 1

NOTE:

THIS DRAWING IS A LEE COUNTY STANDARD DETAIL AND THEREFORE DOES NOT NEED TO BE SIGNED AND SEALED

	LEE COUNTY SOUTHWEST FLORIDA <small>1500 MONROE STREET</small>	LEE COUNTY UTILITIES ENGINEERING <small>FORT MYERS, FLORIDA 33901</small>
	SHEET TITLE: DUPLEX PUMP STATION DRAWING INDEX	
TITLE: STANDARD 208V-3Ø (0-30HP) DUPLEX PUMP STATION		
PROJECT: WASTE WATER DUPLEX, TRIPLEX PUMP STA. MASTER PUMP STATION DESIGN STANDARD		
PROJECT NO.: 208V-3Ø DPS	FILE NAME: Duplex 208 3P	SHEET NUMBER: 1 OF 10

CONTROL/ELEMENTARY SYMBOLS	ELECTRICAL PLAN SYMBOLS	SYSTEM SYMBOL LEGEND	ABBREVIATIONS LIST																																																																																																																																																				
<p> NORMALLY OPEN CONTACT NORMALLY CLOSED CONTACT LIMIT SWITCH, NORMALLY OPEN LIMIT SWITCH, NORMALLY CLOSED PRESSURE SWITCH, NORMALLY OPEN PRESSURE SWITCH, NORMALLY CLOSED FLOAT SWITCH, NORMALLY OPEN FLOAT SWITCH, NORMALLY CLOSED FLOW SWITCH, NORMALLY OPEN FLOW SWITCH, NORMALLY CLOSED TEMPERATURE SWITCH, NORMALLY OPEN TEMPERATURE SWITCH, NORMALLY CLOSED NORMALLY OPEN, TIMED TO CLOSE CONTACT NORMALLY CLOSED, TIMED TO OPEN CONTACT NORMALLY CLOSED, TIMED TO CLOSE CONTACT NORMALLY OPEN, TIMED TO OPEN CONTACT ANALYZER INDICATOR TRANSMITTER ALARM RELAY ALARM TIMER CONTROL RELAY FLOW INDICATOR TRANSMITTER (TOTALIZER) FLOW SWITCH HIGH/LOW LIQUID LEVEL SWITCH LEVEL INDICATOR TRANSMITTER LIMIT SWITCH OR LEVEL SWITCH MOTOR SWITCH MANUAL MOTOR STARTER PRESSURE GAUGE PROCESS FLOW TIMER PRESSURE SWITCH TEMPERATURE SWITCH TIMING RELAY SURGE SUPPRESSION DEVICE SOLENOID VALVE VIBRATION SWITCH TORQUE SWITCH ZERO SPEED SWITCH ALARM INDICATING LIGHT RUN INDICATING LIGHT MOMENTARY CONTACT PUSHBUTTON MOMENTARY BREAK PUSHBUTTON OR RESET KEYED SWITCH MAINTAINED CONTACT ON-OFF SWITCH START/STOP (S/S) CONTROL SWITCH MAINTAINED CONTACT FUSE MOLDED CASE CIRCUIT BREAKER CONTROL POWER TRANSFORMER REMOTE TERMINAL BLOCK POINT COPPERWELD GRD. ROD HAND OFF REMOTE CONTROL STATION HAND OFF AUTO CONTROL STATION MOTOR STRIP HEATER </p>	<p> WALL OUTLET BOX AND 20 AMP SINGLE POLE SWITCH ('o' INDICATES SWITCHES) 48" TO CENTERLINE WALL OUTLET BOX AND 20 AMP 3-WAY SWITCH ('o' INDICATES SWITCHES) 48" TO CTR LINE. MANUAL MOTOR STARTING SWITCH WITH OVERLOADS AND PILOT LIGHT. NEMA 4X TYPICAL WALL OUTLET BOX AND 20 AMP SWITCH WITH WEATHERPROOF COVER OR ENCLOSURE. WALL OUTLET BOX AND 20 AMP DUPLEX RECEPTACLE 18" TO CENTERLINE WALL OUTLET BOX AND 20 AMP DUPLEX RECEPT MOUNTED 48" AFF OR AS NOTED. WALL OUTLET BOX AND 20 AMP GFCI DUPLEX RECEPTACLE AT 18" TO CENTERLINE. WP INDICATES WEATHERPROOF COVER PLATE. WALL OUTLET BOX AND 20 AMP GFCI RECEPTACLE MOUNTED 48" AFF OR AS NOTED. WALL OUTLET BOX AND DOUBLE 20 AMP DUPLEX RECEPTACLES 18" TO CENTERLINE FLUSH MOUNTED JUNCTION BOX (SURFACE IN MECH/ELEC SPACES OR ABOVE CEILINGS). BRANCH CIRCUIT CONDUIT AND WIRE GENERALLY SURFACE MOUNTED, CONCEALED ABOVE CEILINGS SLASH MARKS INDICATE NUMBER OF CONDUCTORS; (MARKS SHOWN TO AID CONTRACTOR IN BIDDING, THE CONTRACTOR SHALL PROVIDE THE REQUIRED CONDUCTORS UNDER THE CONTRACT SUM WHETHER OR NOT SHOWN). SHORT SLASHES INDICATE PHASE CONDUCTOR OR SWITCH LEG, LONG INDICATE NEUTRAL CONDUCTOR. GREEN GROUND CONDUCTOR NOT SHOWN; ALL CONDUITS REQUIRE COPPER GROUND CONDUCTOR. TWO CONDUCTORS PLUS GROUND REQUIRED, MINIMUM. CONDUIT AND WIRE CONCEALED IN FLOOR SLAB OR UNDERGROUND. BRANCH CIRCUIT PANELBOARD AS NOTED; SEE PANEL SCHEDULES DISCONNECT SWITCH SIZE PER EQUIPMENT NAME PLATE OR AS NOTED; FOR DISCONNECTS SERVING MOTOR LOADS OF 10HP OR GREATER AND FOR ALL MOTOR LOADS SERVED THROUGH VARIABLE FREQUENCY DRIVES; PROVIDE SURGE SUPPRESSION DEVICE EQUAL TO SQ.-D. SP3650 OR EQUAL AT DISCONNECT. MOTOR CONNECTION MANUAL TRANSFER SWITCH OR REVERSING SWITCH </p>	<p> SYSTEMS CABINET AS NOTED OR MARKED. LIGHTNING PROTECTION AIR TERMINAL STREAMER RETARDING TYPE. STREAMER RETARDING AIR TERMINAL MOUNTED TO LIGHT POLE. </p> <p style="text-align: center;">SINGLE LINE DIAGRAM SYMBOLS</p> <p> VOLTMETER POWER FACTOR METER KILOWATT METER AMMETER THREE PHASE VOLT SWITCH THREE PHASE AMP SWITCH CURRENT TRANSMITTER KILOWATT TRANSMITTER POWER FACTOR TRANSMITTER LOCAL CONTROL PANEL GROUND FAULT INTERRUPTER WATT HOUR METER FUSE CAPACITOR DRAW-OUT CIRCUIT BREAKER MOULDED CASE CIRCUIT BREAKER TYPICAL STARTER CONTROL. SEE SWITCHGEAR CONTROL DIAGRAMS FOR EXACT TYPE. ELECTRIC A.C. MOTOR, NO. INDICATES HORSEPOWER. ELECTRIC D.C. MOTOR, NO. INDICATES HORSEPOWER. SERVICE OR EQUIPMENT GROUND. NON-FUSIBLE DISCONNECT SWITCH, 30A,3P UNLESS OTHERWISE INDICATED. NON-FUSIBLE DISCONNECT SWITCH, 30A,3P UNLESS OTHERWISE INDICATED, WITH REMOTE CONTROL STATION AS REQUIRED BY ELEMENTARY DIAGRAMS OR SPECS. LIGHTING PANELBOARD POWER PANELBOARD KIRK KEY INTERLOCK CURRENT TRANSFORMERS POTENTIAL TRANSFORMERS MANUAL OR AUTOMATIC TRANSFER SWITCH </p>	<p>ABBREVIATIONS LIST</p> <table border="0"> <tr> <td>A</td><td>AMPS</td> <td>AMP</td><td>AMP FRAME</td> </tr> <tr> <td>AF</td><td>AMPS INTERRUPTING CURRENT</td> <td>ALUM</td><td>ALUMINUM</td> </tr> <tr> <td>AT</td><td>ALUMINUM</td> <td>AT</td><td>AMP TRIP</td> </tr> <tr> <td>ATS</td><td>AUTOMATIC TRANSFER SWITCH</td> <td>AVAIL</td><td>AVAILABLE</td> </tr> <tr> <td>AWG</td><td>AMERICAN WIRE GAUGE</td> <td>C</td><td>CONDUIT</td> </tr> <tr> <td>C</td><td>CONDUIT</td> <td>CAB</td><td>CABINET</td> </tr> <tr> <td>CAT</td><td>CATEGORY</td> <td>CONV</td><td>CONVERSION</td> </tr> <tr> <td>CRCC</td><td>CELLULAR ROUTER COMMUNICATION CABINET</td> <td>CU</td><td>COPPER</td> </tr> <tr> <td>D</td><td>DEPTH</td> <td>DIA</td><td>DIAMETER</td> </tr> <tr> <td>DIA</td><td>DIAMETER</td> <td>DRGS</td><td>DRAWINGS</td> </tr> <tr> <td>ENET</td><td>ETHERNET</td> <td>EXT</td><td>EXTERNAL</td> </tr> <tr> <td>FOCC</td><td>FIBER OPTIC CONVERSION CABINET</td> <td>FPL</td><td>FLORIDA POWER AND LIGHT</td> </tr> <tr> <td>GND OR GRD.</td><td>GROUND</td> <td>HZ</td><td>HERTZ</td> </tr> <tr> <td>I/O</td><td>INPUT/OUTPUT</td> <td>I&C</td><td>INSTRUMENTATION AND CONTROLS</td> </tr> <tr> <td>INT</td><td>INTERNAL</td> <td>INST</td><td>INSTRUMENT</td> </tr> <tr> <td>KVA</td><td>KILOVOLT-AMPERES (1VA*10⁻³)</td> <td>LCU</td><td>LEE COUNTY UTILITIES</td> </tr> <tr> <td>LCU</td><td>LEE COUNTY UTILITIES</td> <td>LT</td><td>LIGHT</td> </tr> <tr> <td>MA</td><td>MILLIAMPS (1A*10⁻³)</td> <td>MCB</td><td>MAGNETIC CIRCUIT BREAKER</td> </tr> <tr> <td>MIN</td><td>MINIMUM</td> <td>NA</td><td>NOT APPLICABLE</td> </tr> <tr> <td>NEC</td><td>NATIONAL ELECTRIC CODE</td> <td>NTS</td><td>NOT TO SCALE</td> </tr> <tr> <td>NEMA</td><td>NATIONAL ELECTRIC MANUFACTURERS ASSOCIATION</td> <td>P</td><td>POLE</td> </tr> <tr> <td>PH</td><td>PHASE</td> <td>P&ID</td><td>PROPORTIONAL INTEGRAL DERIVATIVE</td> </tr> <tr> <td>PLC</td><td>PROGRAMMABLE LOGIC CONTROLLER</td> <td>PW</td><td>PRODUCTION WELL</td> </tr> <tr> <td>MPZ</td><td>MINI POWER ZONE</td> <td>SCH</td><td>SCHEDULE</td> </tr> <tr> <td>SE</td><td>SERVICE ENTRANCE</td> <td>SS</td><td>STAINLESS STEEL</td> </tr> <tr> <td>SPD</td><td>SURGE PROTECTION DEVICE</td> <td>TEMP</td><td>TEMPERATURE OR TEMPORARY</td> </tr> <tr> <td>TSP</td><td>TEMPERATURE OR TEMPORARY</td> <td>TYP</td><td>TYPICAL</td> </tr> <tr> <td>U.G.</td><td>UNDERGROUND</td> <td>UPS</td><td>UNINTERRUPTIBLE POWER SOURCE</td> </tr> <tr> <td>V</td><td>VOLTS</td> <td>VA</td><td>VOLT-AMPERES (APPARENT POWER)</td> </tr> <tr> <td>VAC</td><td>VOLTS ALTERNATING CURRENT</td> <td>VDC</td><td>VOLTS DIRECT CURRENT</td> </tr> <tr> <td>VFD</td><td>VARIABLE FREQUENCY DRIVE</td> <td>W</td><td>WATTS (REAL POWER)</td> </tr> <tr> <td>W</td><td>WATTS (REAL POWER)</td> <td>PCP</td><td>PUMP CONTROL PANEL</td> </tr> <tr> <td>W/</td><td>WITH</td> <td>XFMR</td><td>TRANSFORMER</td> </tr> <tr> <td>"</td><td>INCHES</td> <td>"</td><td>" OR FT</td> </tr> <tr> <td>#</td><td>NUMBER</td> <td># OR NO.</td><td># OR NO.</td> </tr> <tr> <td>E#</td><td>11"X17" SHEET</td> <td>E# OR I#</td><td>E# OR I#</td> </tr> <tr> <td>FDEP</td><td>FLORIDA DEPARTMENT OF ENVIRONMENTAL PROTECTION</td> <td></td><td></td> </tr> </table>	A	AMPS	AMP	AMP FRAME	AF	AMPS INTERRUPTING CURRENT	ALUM	ALUMINUM	AT	ALUMINUM	AT	AMP TRIP	ATS	AUTOMATIC TRANSFER SWITCH	AVAIL	AVAILABLE	AWG	AMERICAN WIRE GAUGE	C	CONDUIT	C	CONDUIT	CAB	CABINET	CAT	CATEGORY	CONV	CONVERSION	CRCC	CELLULAR ROUTER COMMUNICATION CABINET	CU	COPPER	D	DEPTH	DIA	DIAMETER	DIA	DIAMETER	DRGS	DRAWINGS	ENET	ETHERNET	EXT	EXTERNAL	FOCC	FIBER OPTIC CONVERSION CABINET	FPL	FLORIDA POWER AND LIGHT	GND OR GRD.	GROUND	HZ	HERTZ	I/O	INPUT/OUTPUT	I&C	INSTRUMENTATION AND CONTROLS	INT	INTERNAL	INST	INSTRUMENT	KVA	KILOVOLT-AMPERES (1VA*10 ⁻³)	LCU	LEE COUNTY UTILITIES	LCU	LEE COUNTY UTILITIES	LT	LIGHT	MA	MILLIAMPS (1A*10 ⁻³)	MCB	MAGNETIC CIRCUIT BREAKER	MIN	MINIMUM	NA	NOT APPLICABLE	NEC	NATIONAL ELECTRIC CODE	NTS	NOT TO SCALE	NEMA	NATIONAL ELECTRIC MANUFACTURERS ASSOCIATION	P	POLE	PH	PHASE	P&ID	PROPORTIONAL INTEGRAL DERIVATIVE	PLC	PROGRAMMABLE LOGIC CONTROLLER	PW	PRODUCTION WELL	MPZ	MINI POWER ZONE	SCH	SCHEDULE	SE	SERVICE ENTRANCE	SS	STAINLESS STEEL	SPD	SURGE PROTECTION DEVICE	TEMP	TEMPERATURE OR TEMPORARY	TSP	TEMPERATURE OR TEMPORARY	TYP	TYPICAL	U.G.	UNDERGROUND	UPS	UNINTERRUPTIBLE POWER SOURCE	V	VOLTS	VA	VOLT-AMPERES (APPARENT POWER)	VAC	VOLTS ALTERNATING CURRENT	VDC	VOLTS DIRECT CURRENT	VFD	VARIABLE FREQUENCY DRIVE	W	WATTS (REAL POWER)	W	WATTS (REAL POWER)	PCP	PUMP CONTROL PANEL	W/	WITH	XFMR	TRANSFORMER	"	INCHES	"	" OR FT	#	NUMBER	# OR NO.	# OR NO.	E#	11"X17" SHEET	E# OR I#	E# OR I#	FDEP	FLORIDA DEPARTMENT OF ENVIRONMENTAL PROTECTION		
A	AMPS	AMP	AMP FRAME																																																																																																																																																				
AF	AMPS INTERRUPTING CURRENT	ALUM	ALUMINUM																																																																																																																																																				
AT	ALUMINUM	AT	AMP TRIP																																																																																																																																																				
ATS	AUTOMATIC TRANSFER SWITCH	AVAIL	AVAILABLE																																																																																																																																																				
AWG	AMERICAN WIRE GAUGE	C	CONDUIT																																																																																																																																																				
C	CONDUIT	CAB	CABINET																																																																																																																																																				
CAT	CATEGORY	CONV	CONVERSION																																																																																																																																																				
CRCC	CELLULAR ROUTER COMMUNICATION CABINET	CU	COPPER																																																																																																																																																				
D	DEPTH	DIA	DIAMETER																																																																																																																																																				
DIA	DIAMETER	DRGS	DRAWINGS																																																																																																																																																				
ENET	ETHERNET	EXT	EXTERNAL																																																																																																																																																				
FOCC	FIBER OPTIC CONVERSION CABINET	FPL	FLORIDA POWER AND LIGHT																																																																																																																																																				
GND OR GRD.	GROUND	HZ	HERTZ																																																																																																																																																				
I/O	INPUT/OUTPUT	I&C	INSTRUMENTATION AND CONTROLS																																																																																																																																																				
INT	INTERNAL	INST	INSTRUMENT																																																																																																																																																				
KVA	KILOVOLT-AMPERES (1VA*10 ⁻³)	LCU	LEE COUNTY UTILITIES																																																																																																																																																				
LCU	LEE COUNTY UTILITIES	LT	LIGHT																																																																																																																																																				
MA	MILLIAMPS (1A*10 ⁻³)	MCB	MAGNETIC CIRCUIT BREAKER																																																																																																																																																				
MIN	MINIMUM	NA	NOT APPLICABLE																																																																																																																																																				
NEC	NATIONAL ELECTRIC CODE	NTS	NOT TO SCALE																																																																																																																																																				
NEMA	NATIONAL ELECTRIC MANUFACTURERS ASSOCIATION	P	POLE																																																																																																																																																				
PH	PHASE	P&ID	PROPORTIONAL INTEGRAL DERIVATIVE																																																																																																																																																				
PLC	PROGRAMMABLE LOGIC CONTROLLER	PW	PRODUCTION WELL																																																																																																																																																				
MPZ	MINI POWER ZONE	SCH	SCHEDULE																																																																																																																																																				
SE	SERVICE ENTRANCE	SS	STAINLESS STEEL																																																																																																																																																				
SPD	SURGE PROTECTION DEVICE	TEMP	TEMPERATURE OR TEMPORARY																																																																																																																																																				
TSP	TEMPERATURE OR TEMPORARY	TYP	TYPICAL																																																																																																																																																				
U.G.	UNDERGROUND	UPS	UNINTERRUPTIBLE POWER SOURCE																																																																																																																																																				
V	VOLTS	VA	VOLT-AMPERES (APPARENT POWER)																																																																																																																																																				
VAC	VOLTS ALTERNATING CURRENT	VDC	VOLTS DIRECT CURRENT																																																																																																																																																				
VFD	VARIABLE FREQUENCY DRIVE	W	WATTS (REAL POWER)																																																																																																																																																				
W	WATTS (REAL POWER)	PCP	PUMP CONTROL PANEL																																																																																																																																																				
W/	WITH	XFMR	TRANSFORMER																																																																																																																																																				
"	INCHES	"	" OR FT																																																																																																																																																				
#	NUMBER	# OR NO.	# OR NO.																																																																																																																																																				
E#	11"X17" SHEET	E# OR I#	E# OR I#																																																																																																																																																				
FDEP	FLORIDA DEPARTMENT OF ENVIRONMENTAL PROTECTION																																																																																																																																																						
	<p style="text-align: center;">LIGHTING FIXTURES SYMBOLS</p> <p> LED FIXTURE POLE MOUNTED SEE DETAIL </p>																																																																																																																																																						

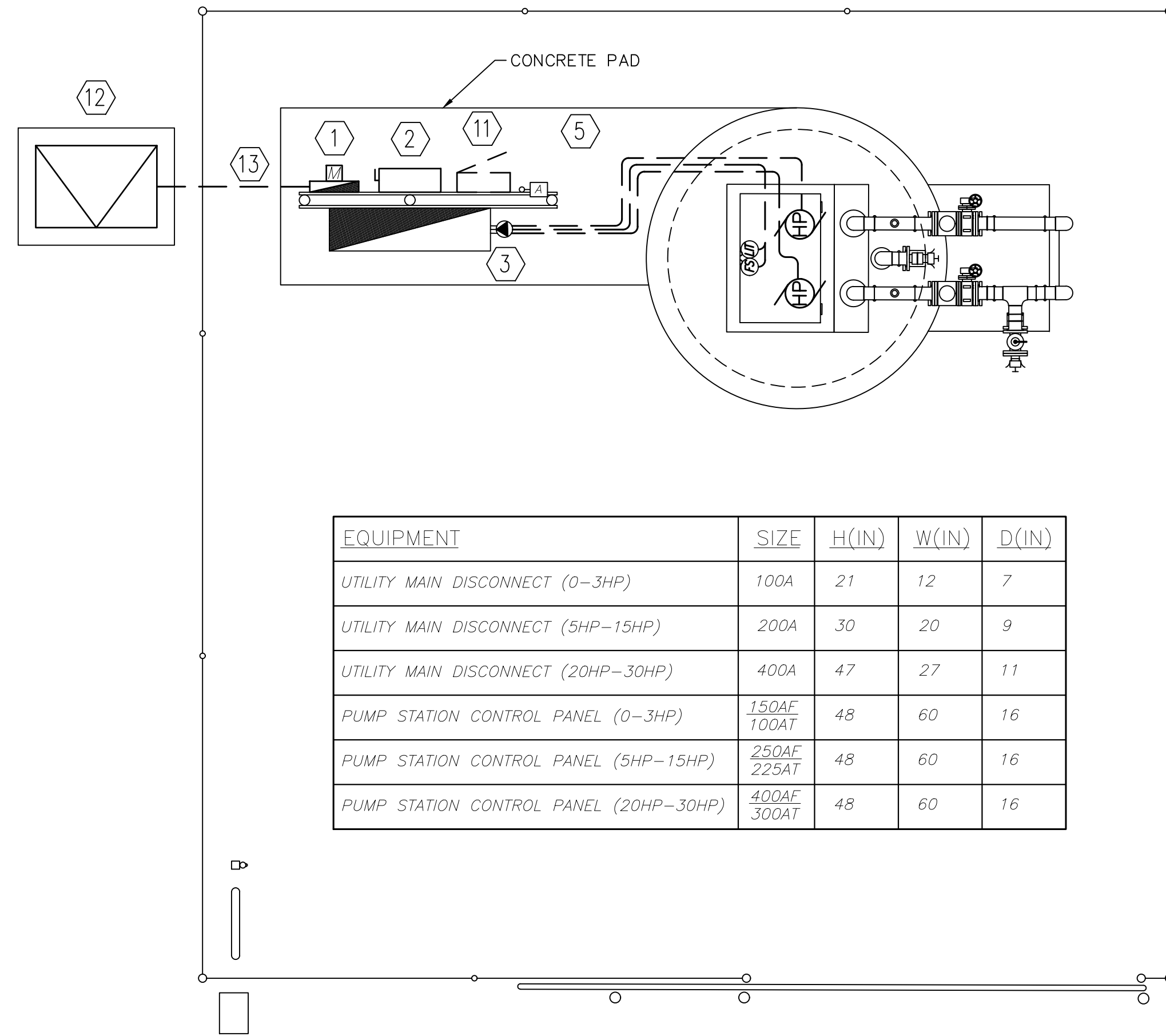
E-2

ELECTRICAL SYMBOLS LEGEND & ABBREVIATIONS

NOTE:
THIS DRAWING IS A LEE COUNTY STANDARD DETAIL AND THEREFORE DOES NOT NEED TO BE SIGNED AND SEALED

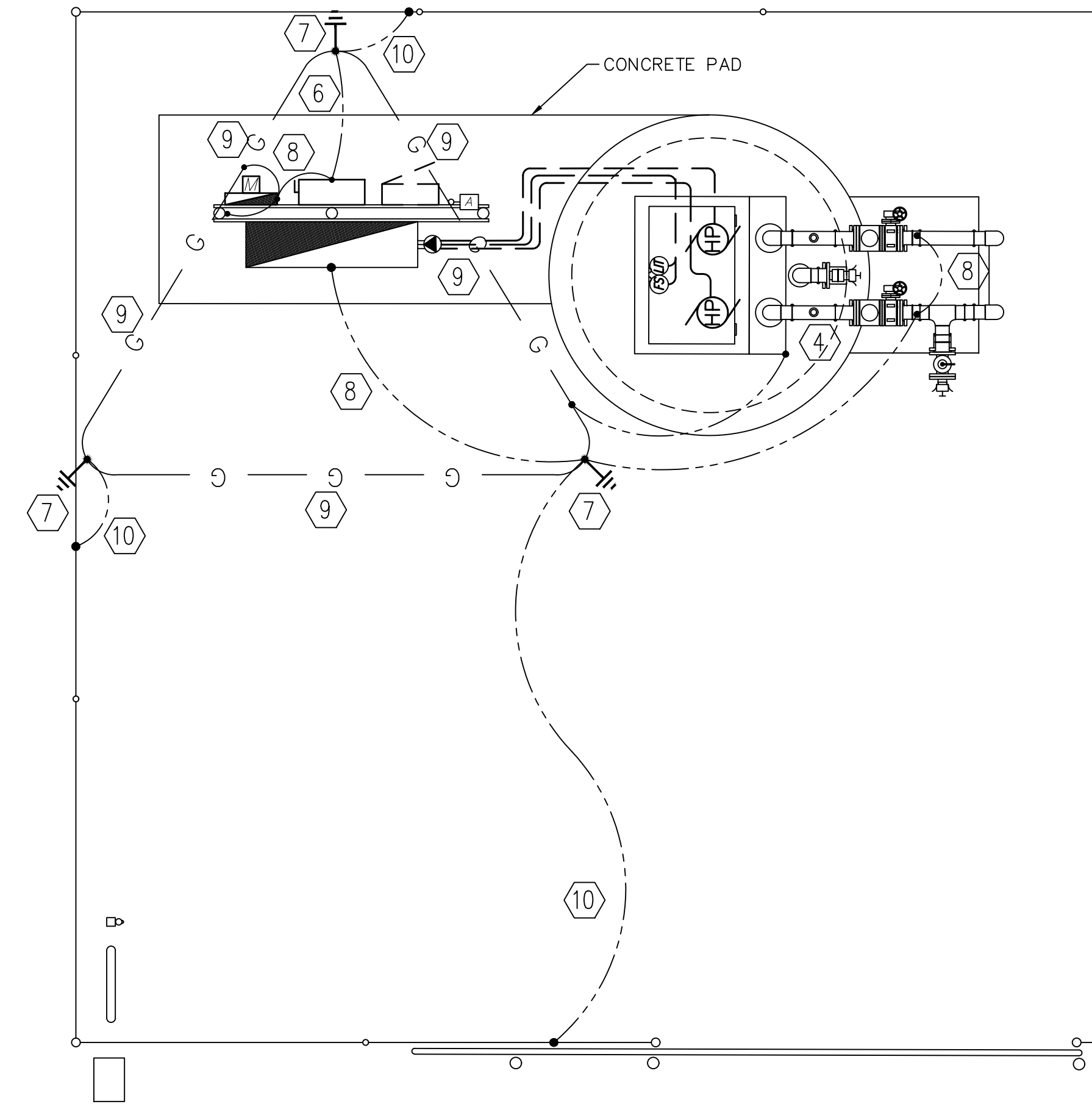
	LEE COUNTY SOUTHWEST FLORIDA <small>1500 MONROE STREET</small>	LEE COUNTY UTILITIES ENGINEERING <small>FORT MYERS, FLORIDA 33901</small>
	SHEET TITLE: DUPLEX PUMP STATION NOTES & ABBREVIATIONS	
TITLE: STANDARD 208V-30 (0-30HP) DUPLEX PUMP STATION		
PROJECT: WASTE WATER DUPLEX, TRIPLEX PUMP STA. MASTER PUMP STATION DESIGN STANDARD		
PROJECT NO.: 208V-30 DPS	FILE NAME: Duplex 208 3P	SHEET NUMBER: 2 OF 10

MINIMUM EQUIPMENT RACK LAYOUT BASED ON THE FOLLOWING:
 ADJUST EQUIPMENT RATINGS AND DIMENSIONS FOR SPECIFIC PUMP STATION
 HORSEPOWER AND SERVICE SIZE (MINIMUM 100A SERVICE SIZE). IN NO CASE SHALL
 DIMENSIONS BE PERMITTED TO BE REDUCED IN SIZE.



EQUIPMENT	SIZE	H(IN)	W(IN)	D(IN)
UTILITY MAIN DISCONNECT (0-3HP)	100A	21	12	7
UTILITY MAIN DISCONNECT (5HP-15HP)	200A	30	20	9
UTILITY MAIN DISCONNECT (20HP-30HP)	400A	47	27	11
PUMP STATION CONTROL PANEL (0-3HP)	150AF 100AT	48	60	16
PUMP STATION CONTROL PANEL (5HP-15HP)	250AF 225AT	48	60	16
PUMP STATION CONTROL PANEL (20HP-30HP)	400AF 300AT	48	60	16

POWER PLAN



BONDING & GROUNDING PLAN

GENERAL NOTES

- 1.) ALL EQUIPMENT SHALL BE HUNG ON EQUIPMENT RACK. OPEN WINDOW CUTTING OF ENCLOSURE BOTTOMS IS NOT PERMITTED.
- 2.) REFERENCE SINGLE LINE DRAWING FOR CONDUIT AND WIRE SIZE.
- 3.) ALL U.G. CONNECTIONS TO BE VIA EXOTHERMIC WELD (GADWELD) UNLESS INDICATED OTHERWISE.
- 4.) ALL REQUIRED BONDS MAY NOT BE SHOWN; PROVIDE ADDITIONAL BONDS TO ALL DEVICES, INSTRUMENTS, CABINETS, CONTROL VALVES, ETC. AS REQUIRED TO COMPLY WITH UL AND NEC.

KEYNOTES

- 1.) ALUMINUM DIRECT READING UTILITY METER.
- 2.) MAIN SERVICE DISCONNECT.
- 3.) DEP COMPLIANT PUMP CONTROL PANEL WITH PORTABLE GENERATOR RECEPTACLE.
- 4.) BOND TO HINGE CORNER OF HATCH FRAME. DRILL TAP AS REQUIRED.
- 5.) (3) MINIMUM 2" CONDUITS INTO WETWELL. (2) FOR SUBMERSIBLE PUMP CABLES, (1) FOR FLOATS AND LIT CABLES. CORE DRILL NEW PENETRATIONS THROUGH WETWELL. PATCH ALL WITH HYDROCEMENT.
- 6.) TINNED STRANDED COPPER ELECTRIC SERVICE MAIN GROUNDING ELECTRODE CONDUCTOR. SIZE PER SITE SPECIFIC SERVICE REQUIREMENTS.
- 7.) 20' DRIVEN GROUND ROD WITH INSPECTION TEST WELL (SEE DETAIL). TYPICAL.
- 8.) #2 TINNED SOLID COPPER BOND. TYPICAL.
- 9.) #2/0 TINNED STRANDED COPPER COUNTERPOISE LOOP GROUND. TYPICAL.
- 10.) #2/0 TINNED SOLID BARE BOND TO GROUND GRID.
- 11.) PROVIDE SPACE FOR FUTURE 120/208V 3PH-4WIRE PANELBOARD.


LIGHTNING PROTECTION LEGEND:

- LP — MAIN ROOF/DOWN CONDUCTOR TYPICAL
- G — #2/0 TINNED BARE COPPER COUNTERPOISE LOOP GROUND.
- #2 TINNED SOLID COPPER BOND TO EQUIPMENT/CABINETS ETC.

E-3

**STANDARD 208V-3Ø (0-30HP) DUPLEX PUMP STATION
 POWER, BONDING & GROUNDING PLAN**

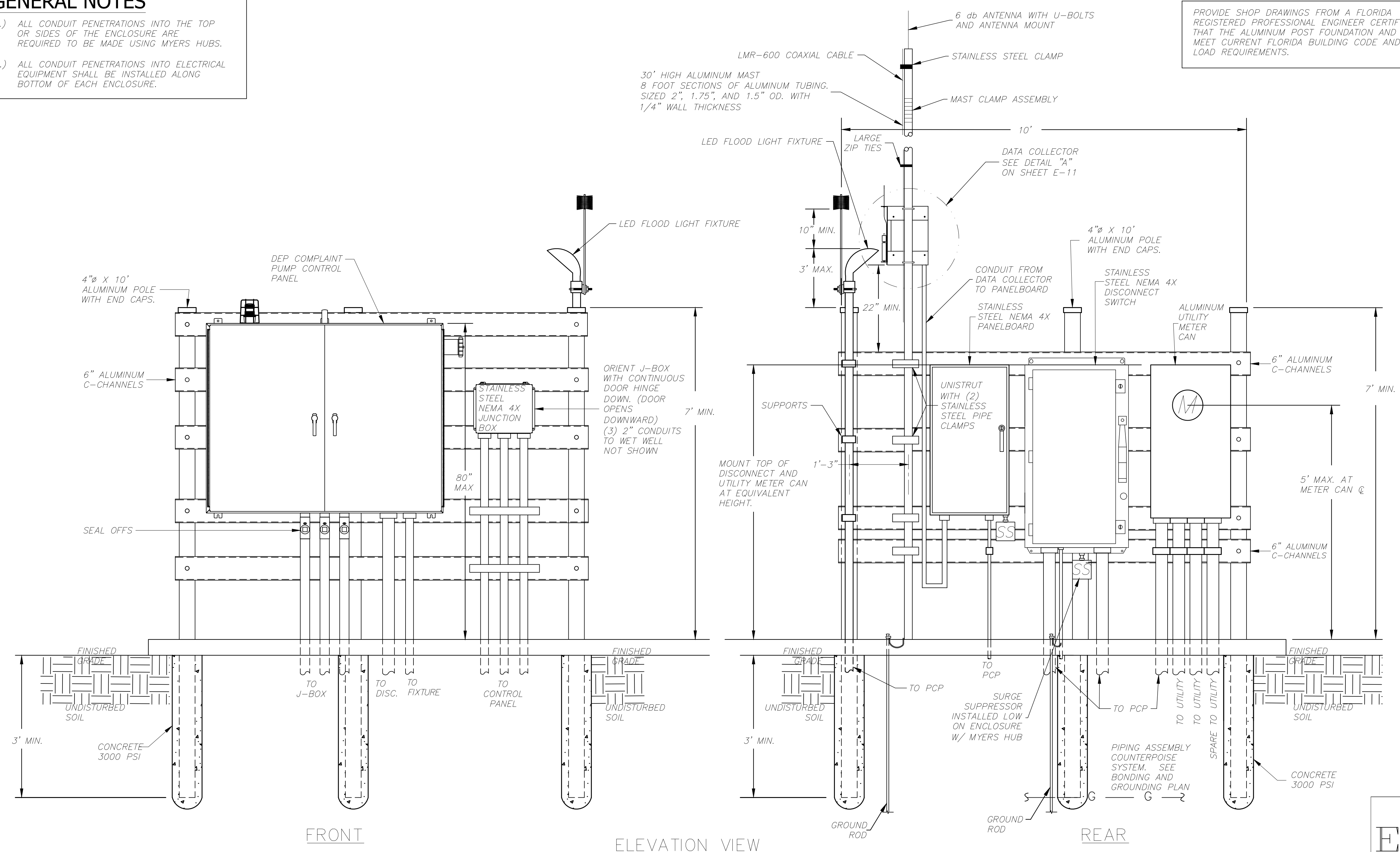
NOTE:
 THIS DRAWING IS A LEE COUNTY STANDARD DETAIL AND THEREFORE DOES NOT NEED TO BE SIGNED AND SEALED

	LEE COUNTY SOUTHWEST FLORIDA <small>1500 MONROE STREET</small>	LEE COUNTY UTILITIES ENGINEERING <small>FORT MYERS, FLORIDA 33901</small>
	SHEET TITLE: DUPLEX PUMP STATION POWER BONDING & GROUNDING PLAN	
TITLE: STANDARD 208V-3Ø (0-30HP) DUPLEX PUMP STATION		
PROJECT: WASTE WATER DUPLEX, TRIPLEX PUMP STA. MASTER PUMP STATION DESIGN STANDARD		
PROJECT NO: 208V-3Ø DPS	FILE NAME: Duplex 208 3P	SHEET NUMBER: 3 OF 10

GENERAL NOTES

- 1.) ALL CONDUIT PENETRATIONS INTO THE TOP OR SIDES OF THE ENCLOSURE ARE REQUIRED TO BE MADE USING MYERS HUBS.
- 2.) ALL CONDUIT PENETRATIONS INTO ELECTRICAL EQUIPMENT SHALL BE INSTALLED ALONG BOTTOM OF EACH ENCLOSURE.

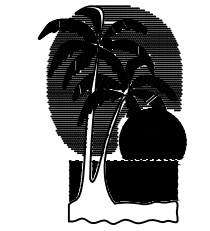
PROVIDE SHOP DRAWINGS FROM A FLORIDA REGISTERED PROFESSIONAL ENGINEER CERTIFYING THAT THE ALUMINUM POST FOUNDATION AND RACK MEET CURRENT FLORIDA BUILDING CODE AND WIND LOAD REQUIREMENTS.



STANDARD 208V-3Ø (0-30HP) DUPLEX PUMP STATION ELECTRICAL EQUIPMENT RACK ELEVATION

E-4

NOTE:
THIS DRAWING IS A LEE COUNTY STANDARD DETAIL AND THEREFORE DOES NOT NEED TO BE SIGNED AND SEALED

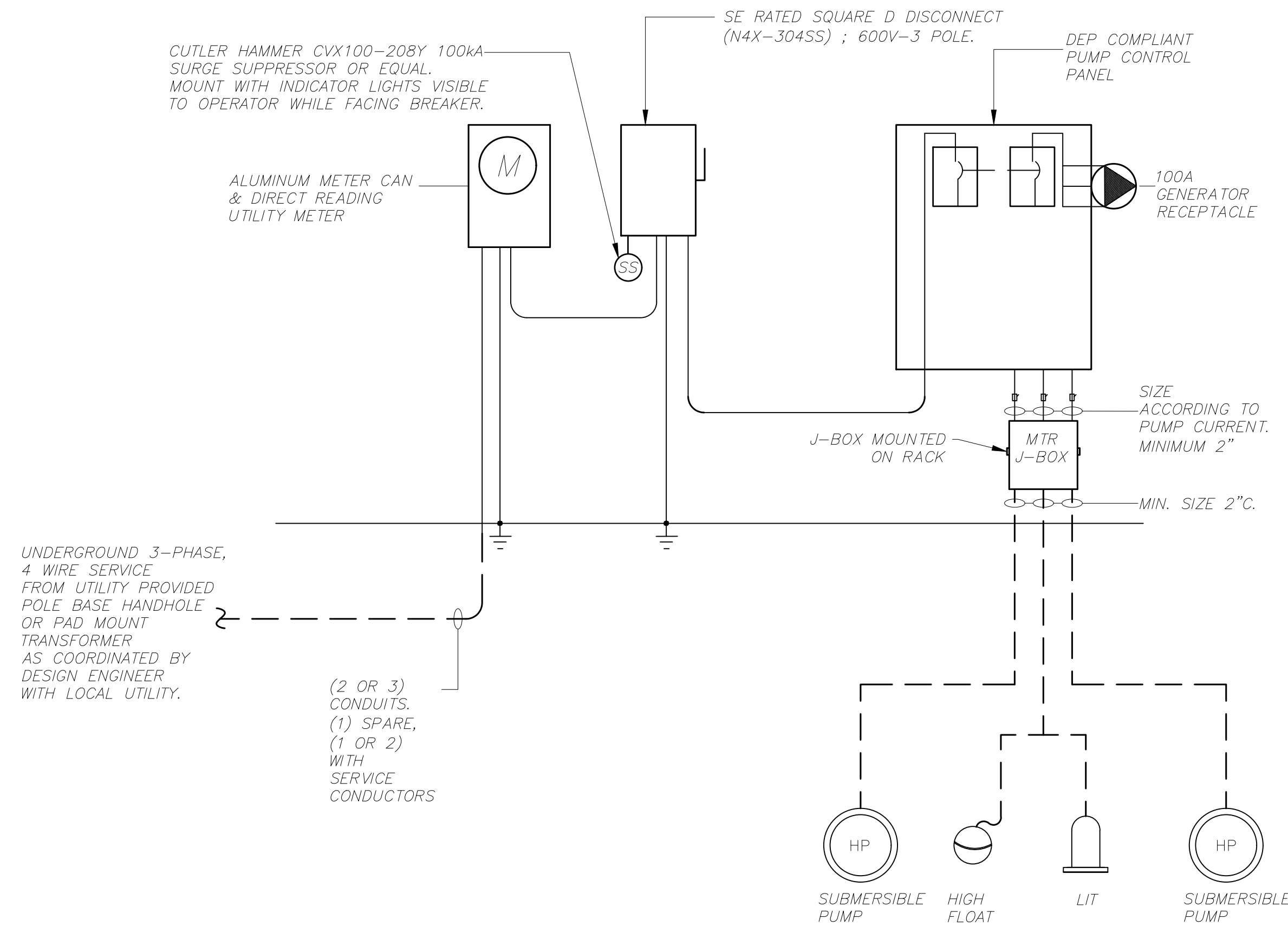
 <p>LEE COUNTY SOUTHWEST FLORIDA</p>	<p>LEE COUNTY UTILITIES ENGINEERING</p>
	<p>1500 MONROE STREET FORT MYERS, FLORIDA 33901</p>
<p>SHEET TITLE: DUPLEX PUMP STATION ELECTRICAL EQUIPMENT RACK ELEVATION</p>	
<p>TITLE: STANDARD 208V-3Ø (0-30HP) DUPLEX PUMP STATION</p>	
<p>PROJECT: WASTE WATER DUPLEX, TRIPLEX PUMP STA. MASTER PUMP STATION DESIGN STANDARD</p>	
<p>PROJECT NO.: 208V-3Ø DPS</p>	<p>FILE NAME: Duplex 208 3P</p>
<p>SHEET NUMBER: 4 OF 10</p>	

PROVIDE MINIMUM SERVICES UTILITY SIZES AS FOLLOWS:

SERVICE SIZE:	CONDUIT SIZE:	CONDUCTOR SIZE:	GROUND SIZE:
100A	(1)2"	(4)#3	(1)#8
200A	(1)2.5"	(4)#3/0	(1)#3
400A	(2)2.5"	(4)#3/0 IN EACH	(1)#3 IN EACH

GENERAL NOTES:

- MINIMUM EQUIPMENT AIC RATINGS:
 240V SERVICE 35,000AIC
 480V SERVICE 65,000AIC
 EQUIPMENT AIC RATINGS SHOWN TO ESTABLISH MINIMUM ACCEPTABLE RATING. DESIGNER TO COORDINATE REQUIRED AIC RATINGS WITH SITE SPECIFIC ELECTRICAL SERVICE CHARACTERISTICS AND IN NO CASE LOWER THEN ESTABLISHED MINIMUMS.
- THIS PLAN DOES NOT INDICATE ALL CONDUIT & WIRE REQUIRED; SEE ADDITIONAL REQUIREMENTS ON ELEMENTARY & PLAN DRAWINGS.



GENERIC SINGLE LINE DRAWING— REVISE ACCORDINGLY TO PROVIDE SITE SPECIFIC DETAILS INCLUDING UTILITY COORDINATION, SERVICE SIZE AND GENERATOR SIZE. SIZE SERVICE, GENERATOR, CONDUIT AND WIRE PER SITE SPECIFIC WELL HORSEPOWER.

ELECTRICAL RISER DIAGRAM (208V 3-PHASE)

N.T.S.

STANDARD 208V-3Ø (0-30HP) DUPLEX PUMP STATION ELECTRICAL RISER DIAGRAM

PANEL: LP	BUS: 100A, 60A MCB	VOLTAGE: 120/208V,3P,4W		
MOUNTING: WALL MOUNT	POLES: 18	35,000AIC MIN		
LOCATION: EQUIPMENT RACK	NEMA 4X SS ENCLOSURE			
CIR. NO.	DESCRIPTION	TRIP	POLES	REMARKS
1	DATA COLLECTOR HUB AMI	20	1	
2	SPARE	20	1	
3	SPARE	20	1	
4	SPARE	20	1	
5	SPARE	20	1	
6	SPARE	20	1	
7	SPARE	20	1	
8	SPARE	20	1	
9-17	SPACE	20	1	
10-12	SPACE	20	1	
14,16,18	SURGE SUPPRESSION	30	1	

PROVIDE PANEL WITH 35KAIC RATING.
 PROVIDE PANEL WITH EXTERNAL CUTLER HAMMER CVX100 SERIES SPD

PANEL SCHEDULE

N.T.S.

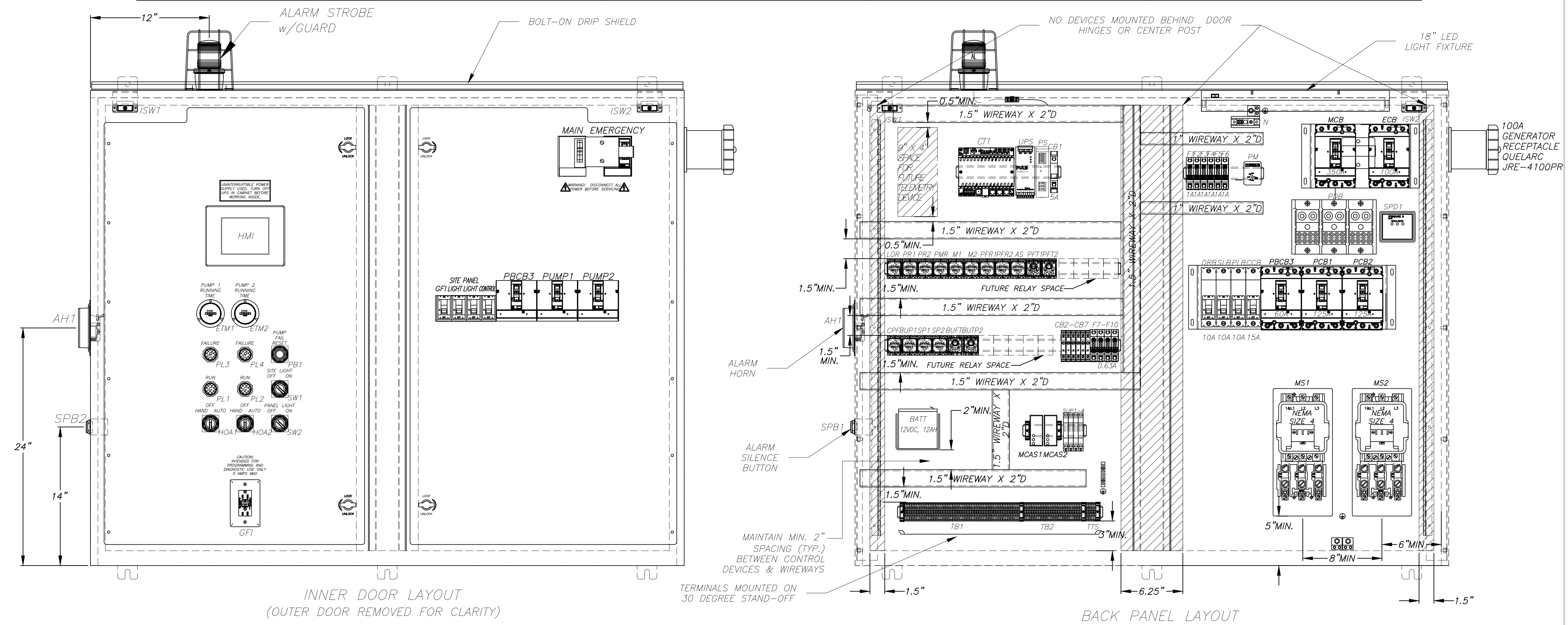
E-5

NOTE:
 THIS DRAWING IS A LEE COUNTY STANDARD DETAIL AND THEREFORE DOES NOT NEED TO BE SIGNED AND SEALED

	LEE COUNTY UTILITIES ENGINEERING 1500 MONROE STREET FORT MYERS, FLORIDA 33901
	SHEET TITLE: DUPLEX PUMP STATION ELECTRICAL RISER DIAGRAM
TITLE: STANDARD 208V-3Ø (0-30HP) DUPLEX PUMP STATION	PROJECT: WASTE WATER DUPLEX, TRIPLEX PUMP STA. MASTER PUMP STATION DESIGN STANDARD
PROJECT NO.: 208V-3Ø DPS	SHEET NUMBER: 5 OF 10

CONTROL WIRE COLOR CODE:

FUNCTION DESCRIPTION	WIRE COLOR	FUNCTION DESCRIPTION	WIRE COLOR	FUNCTION DESCRIPTION	WIRE COLOR	FUNCTION DESCRIPTION	WIRE COLOR	FUNCTION DESCRIPTION	WIRE COLOR
120VAC FEED	BLACK	H-O-A 1 SCADA	BROWN	PUMP 2 RUN SCADA	ORANGE/BLACK	PUMP 3 FAIL SCADA	BLUE/RED	START PUMP 3	BLACK/BLUE
120VAC LOAD	RED	H-O-A 1 COMMON SCADA	BROWN	PUMP 2 RUN COMMON SCADA	ORANGE/BLACK	PUMP 3 FAIL COMMON SCADA	BLUE/RED	START PUMP 3 COMMON	BLACK/BLUE
120VAC NEUTRAL	WHITE	H-O-A 2 SCADA	RED/BLACK	PUMP 3 RUN SCADA	YELLOW/BLACK	CONTROL POWER FAIL SCADA	YELLOW/RED	ALARM RESET	RED/BLUE
PHASE MONITOR FAIL	BLUE	H-O-A 2 COMMON SCADA	RED/BLACK	PUMP 3 RUN COMMON SCADA	YELLOW/BLACK	CONTROL POWER FAIL SCADA COMMON	YELLOW/RED	ALARM RESET COMMON	RED/BLUE
PHASE MONITOR COMMON	BLUE	H-O-A 3 SCADA	YELLOW	PUMP 1 FAIL SCADA	BROWN/BLACK	START PUMP 1	ORANGE/RED	ALARM LIGHT HORN	ORANGE/BLUE
24VDC POSITIVE (+)	BLUE	H-O-A 3 COMMON SCADA	YELLOW	PUMP 1 FAIL COMMON SCADA	BROWN/BLACK	START PUMP 1 COMMON	ORANGE/RED	ALARM LIGHT HORN COMMON	ORANGE/BLUE
24VDC NEGATIVE (-)	WHITE/BLUE	PUMP 1 RUN SCADA	BLUE/BLACK	PUMP 2 FAIL SCADA	BLACK/RED	START PUMP 2	BROWN/RED	SCADA HIGH LEVEL FLOAT	YELLOW/BLUE
GROUND	GREEN	PUMP 1 RUN COMMON SCADA	BLUE/BLACK	PUMP 2 FAIL COMMON SCADA	BLACK/RED	START PUMP 2 COMMON	BROWN/RED	SCADA HIGH LEVEL FLOAT COMMON	YELLOW/BLUE

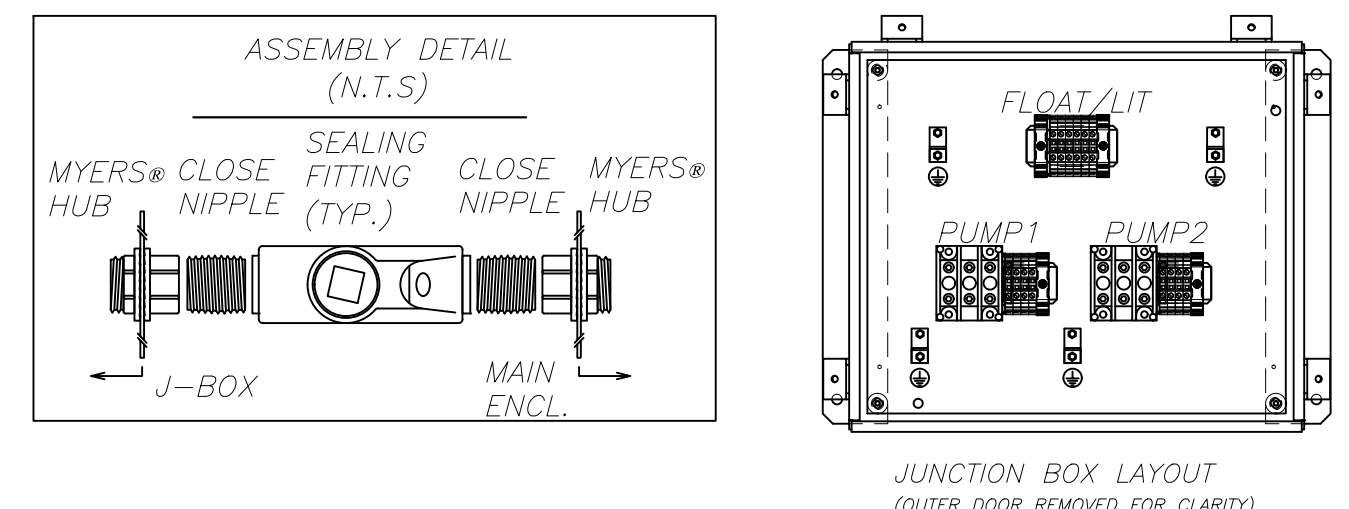


ENCLOSURE:
 MIN. SPN4DSS-486016 (48"H x 60"W x 16"D) NEMA 4X RATED, WITH BOLT-ON DRIP SHIELD AND REMOVABLE CENTER POST, FABRICATED FROM TYPE 304 STAINLESS STEEL, WITH POLISHED FINISH. OUTER DOORS HAVE 3-POINT PAD-LOCKABLE HANDLES, AND 90° STOPS.

BACK PANEL:
 SPPD-6048 (45"H x 57"W) FABRICATED FROM 12ga. CARBON STEEL PAINTED WHITE.

INNER DOOR:
 (2) HID-4830 FABRICATED FROM .125 BLACK ENGRAVED ALUMINUM.

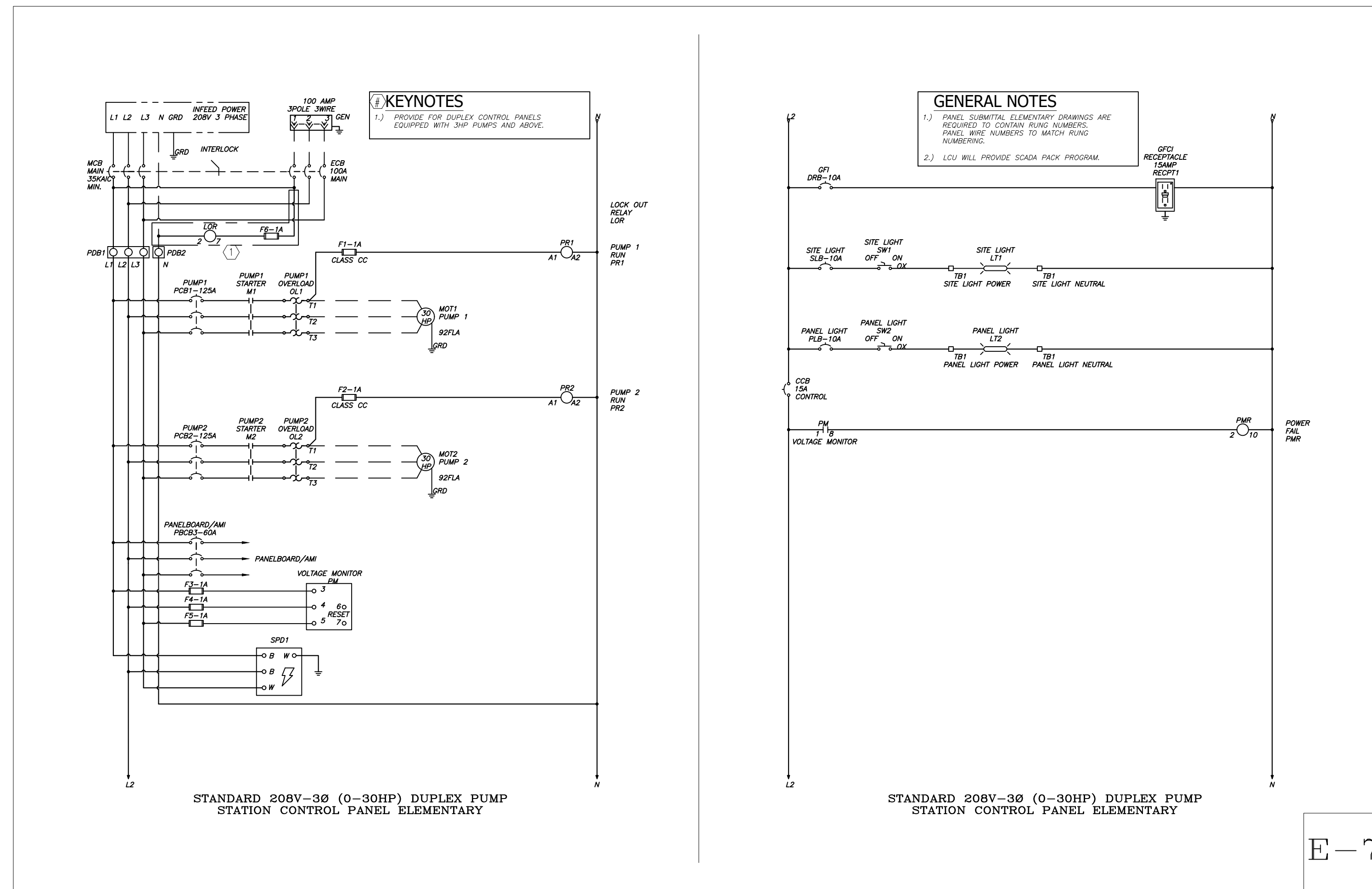
- NOTES:**
1. TB TERMINAL ON CONTROL CIRCUIT TERMINAL STRIP
 2. PD TERMINAL ON POWER DISTRIBUTION BLOCK
 3. N NEUTRAL AND GROUND LUGS
 4. - FIELD WIRING (EXTERNAL TO CONTROL PANEL)
 5. - PANEL WIRING
 6. SEAL ALL CONDUITS ENTERING CONTROL PANEL
 7. CONTROL PANEL IS UL508A LABELED
 8. INSTALL IN ACCORDANCE WITH ARTICLE 504 OF THE N.E.C.
 9. MINIMUM #14 AWG WIRE AT 600V
 10. MAINTAIN MIN. 2" SPACE BETWEEN CONTROL DEVICES & WIREWAYS
 11. MAINTAIN MAX. 6" EXTRA LENGTH ON CONTROL WIRES
 12. ALL BREAKERS MUST BE ACCESSIBLE FROM DEAD-FRONT



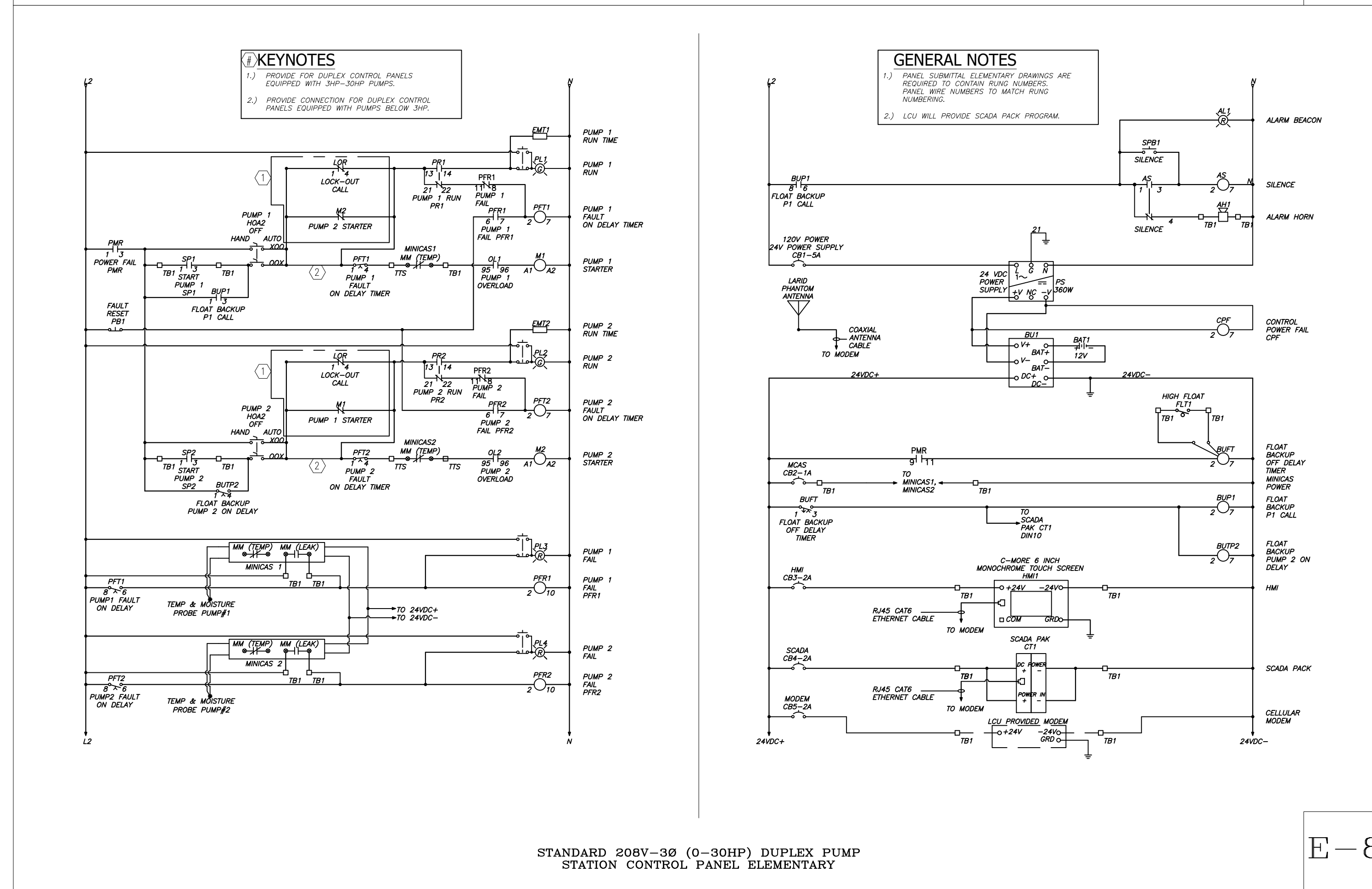
STANDARD 208V-3Ø (0-30HP) DUPLEX PUMP STATION CONTROL PANEL ELEVATION

NOTE:
 THIS DRAWING IS A LEE COUNTY STANDARD DETAIL AND THEREFORE DOES NOT NEED TO BE SIGNED AND SEALED

<p>LEE COUNTY SOUTHWEST FLORIDA</p>	<p>LEE COUNTY UTILITIES ENGINEERING</p> <p>1500 MONROE STREET FORT MYERS, FLORIDA 33901</p>	
	<p>SHEET TITLE: DUPLEX PUMP STATION CONTROL PANEL ELEVATION</p> <p>TITLE: STANDARD 208V-3Ø (0-30HP) DUPLEX PUMP STATION</p> <p>PROJECT: WASTE WATER DUPLEX, TRIPLEX PUMP STA. MASTER PUMP STATION DESIGN STANDARD</p>	
<p>PROJECT NO.: 208V-3Ø DPS</p>	<p>FILE NAME: Duplex 208 3P</p>	<p>SHEET NUMBER: 6 OF 10</p>

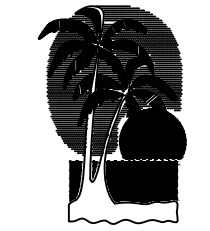


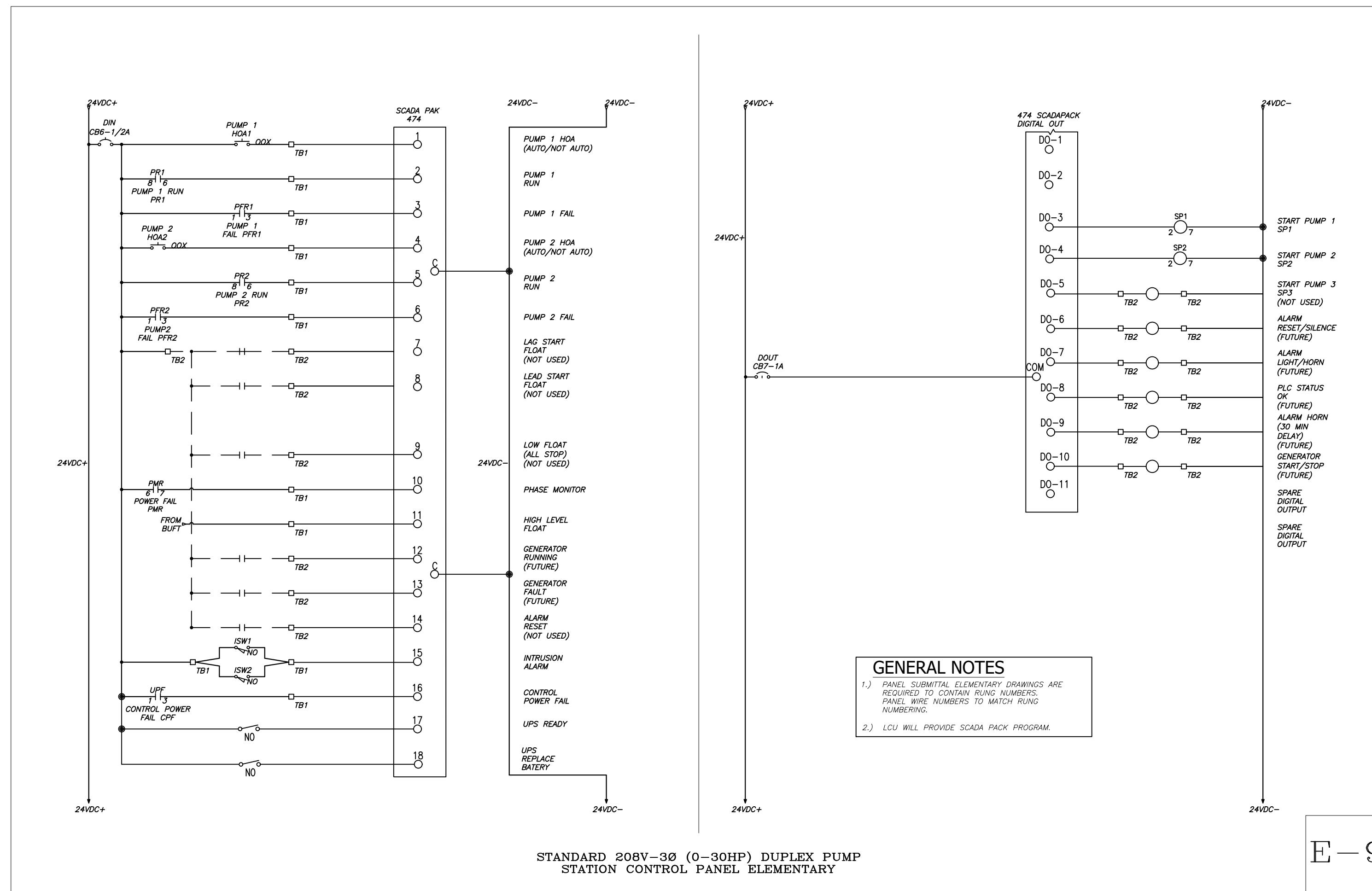
E-7



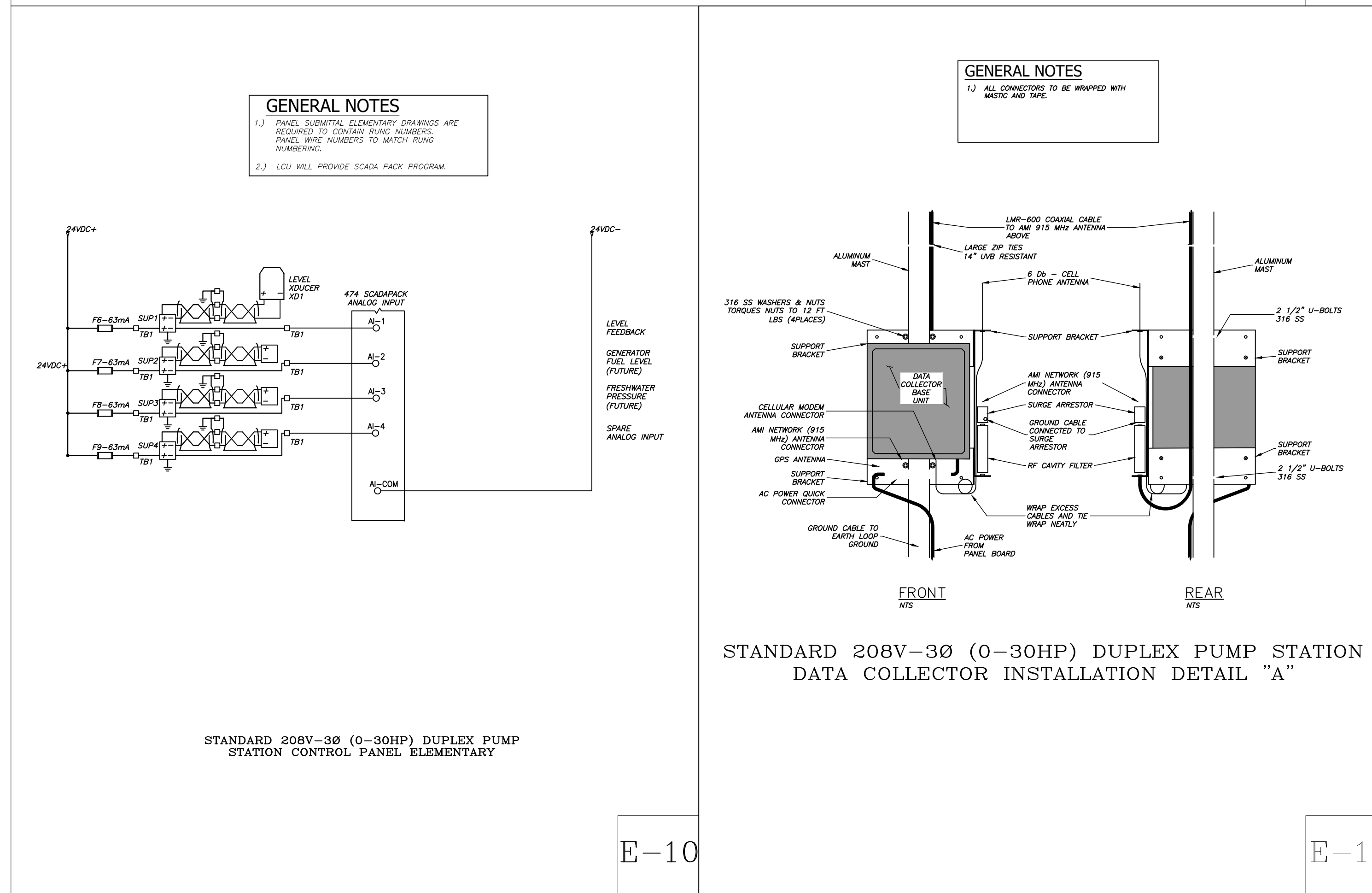
E-8

NOTE:
THIS DRAWING IS A LEE COUNTY STANDARD DETAIL AND THEREFORE DOES NOT NEED TO BE SIGNED AND SEALED

 LEE COUNTY SOUTHWEST FLORIDA 1500 MONROE STREET FORT MYERS, FLORIDA 33901		LEE COUNTY UTILITIES ENGINEERING
SHEET TITLE: DUPLEX PUMP STATION ELECTRICAL DIAGRAMS		
TITLE: STANDARD 208V-3Ø (0-30HP) DUPLEX PUMP STATION		
PROJECT: WASTE WATER DUPLEX, TRIPLEX PUMP STA. MASTER PUMP STATION DESIGN STANDARD		
PROJECT NO.: 208V-3Ø DPS	FILE NAME: Duplex 208 3P	SHEET NUMBER: 7 OF 10



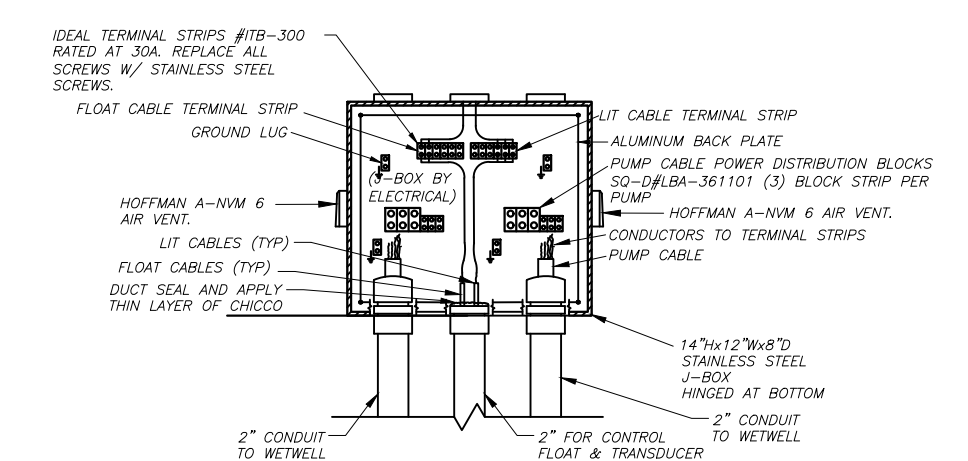
E-9



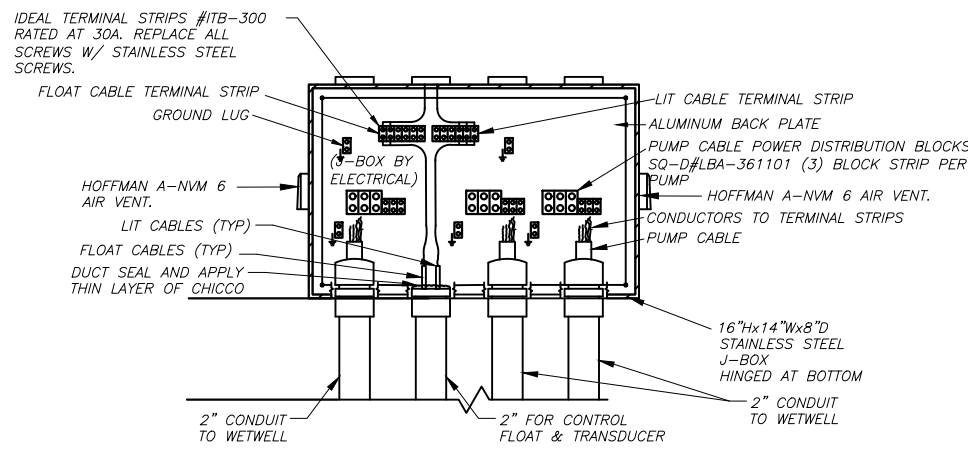
E-11

NOTE:
THIS DRAWING IS A LEE COUNTY STANDARD DETAIL AND THEREFORE DOES NOT NEED TO BE SIGNED AND SEALED

	LEE COUNTY SOUTHWEST FLORIDA 1500 MONROE STREET FORT MYERS, FLORIDA 33901	LEE COUNTY UTILITIES ENGINEERING 1500 MONROE STREET FORT MYERS, FLORIDA 33901
	SHEET TITLE: DUPLEX PUMP STATION ELEVATION & ELECTRICAL DIAGRAMS	
TITLE: STANDARD 208V-3Ø (0-30HP) DUPLEX PUMP STATION		
PROJECT: WASTE WATER DUPLEX, TRIPLEX PUMP STA. MASTER PUMP STATION DESIGN STANDARD		
PROJECT NO.: 208V-3Ø DPS	FILE NAME: Duplex 208 3P	SHEET NUMBER: 8 OF 10



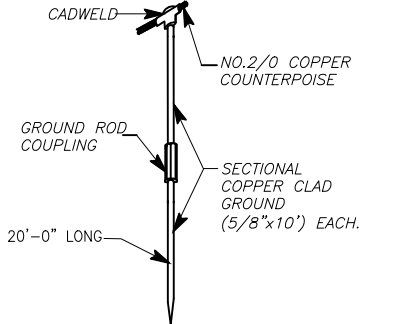
DUPLEX JUNCTION BOX
N.T.S.



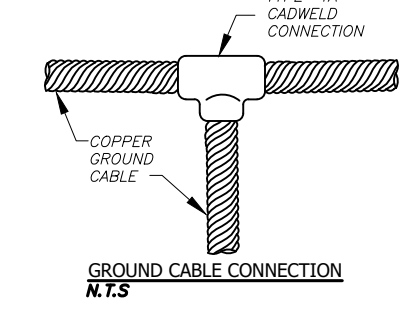
TRIPLEX JUNCTION BOX
N.T.S.

**JUNCTION BOX & TERMINAL STRIP INSTALLATION AT
CONTROL PANEL LOCATION**

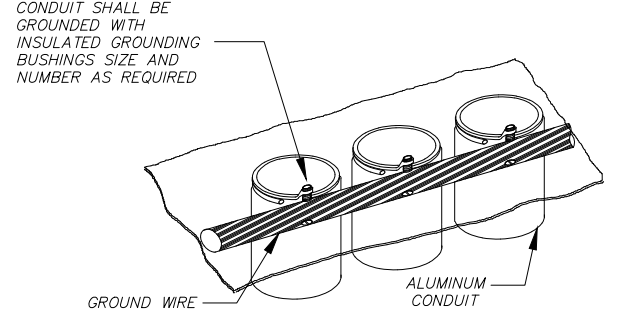
ES-1



TYPICAL GROUND ROD CONNECTION DETAIL
N.T.S.



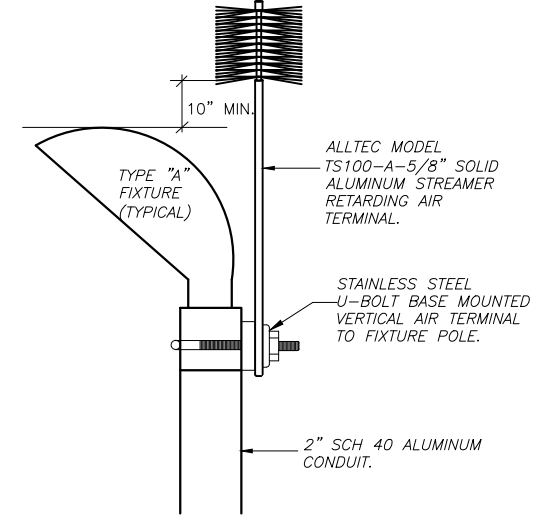
GROUND CABLE CONNECTION
N.T.S.



PANEL CONDUIT GROUNDING DETAIL
N.T.S.

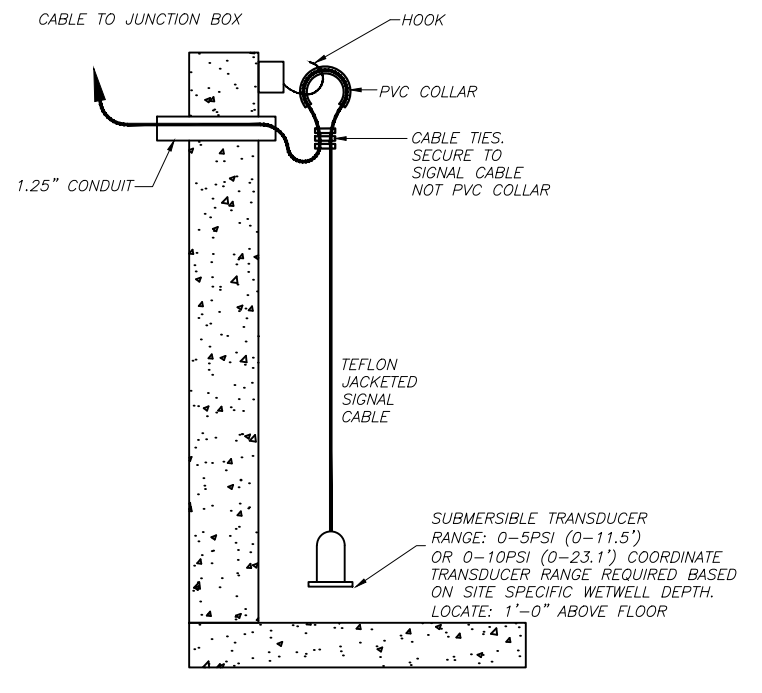
GROUNDING DETAILS

ES-2



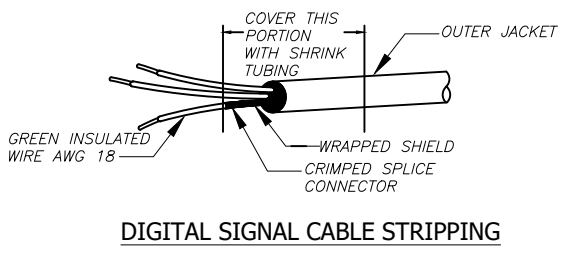
**STREAMER RETARDING AIR TERMINAL FIXTURE POLE
DETAIL**

ES-3

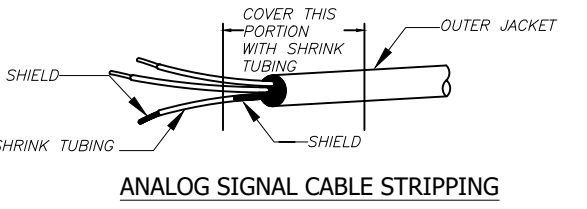


LEVEL TRANSMITTER DETAIL

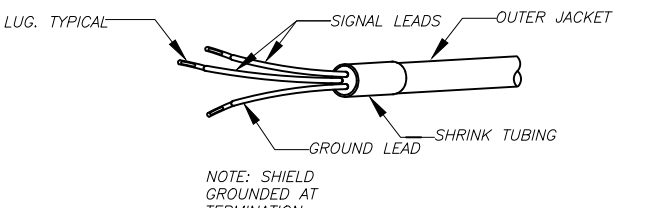
ES-4



DIGITAL SIGNAL CABLE STRIPPING



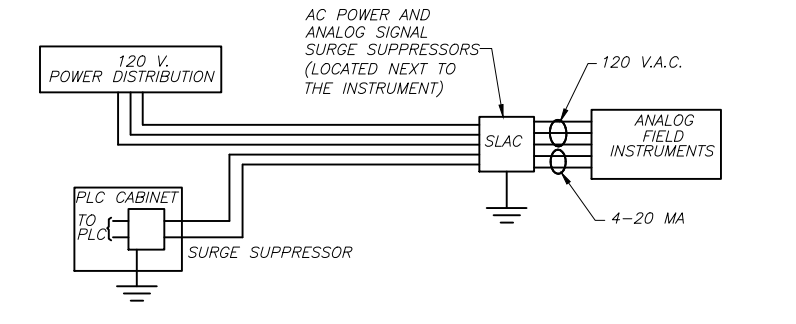
ANALOG SIGNAL CABLE STRIPPING



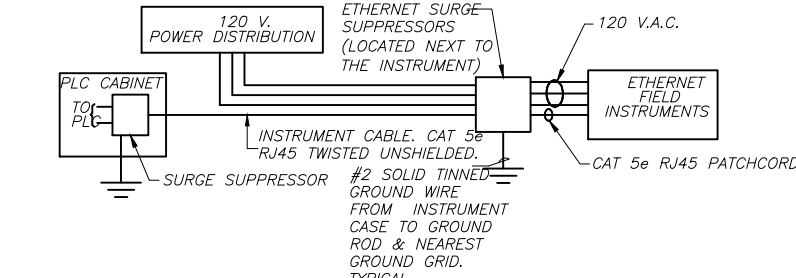
SIGNAL CABLE SHRINK TUBING

**TERMINATION OF SIGNALS INSTRUMENT CONTROL
CABLE DETAIL**

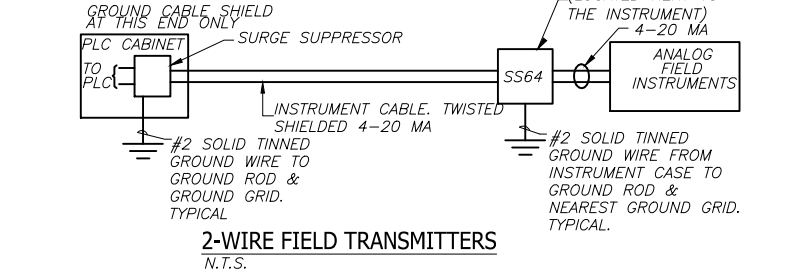
ES-5



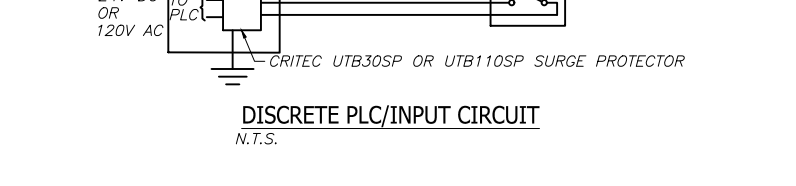
4-WIRE FIELD TRANSMITTERS
N.T.S.



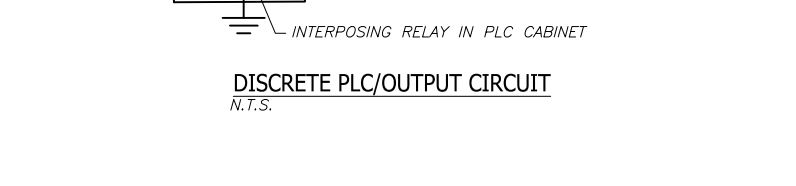
ETHERNET FIELD TRANSMITTERS
N.T.S.



2-WIRE FIELD TRANSMITTERS
N.T.S.



DISCRETE PLC/INPUT CIRCUIT
N.T.S.



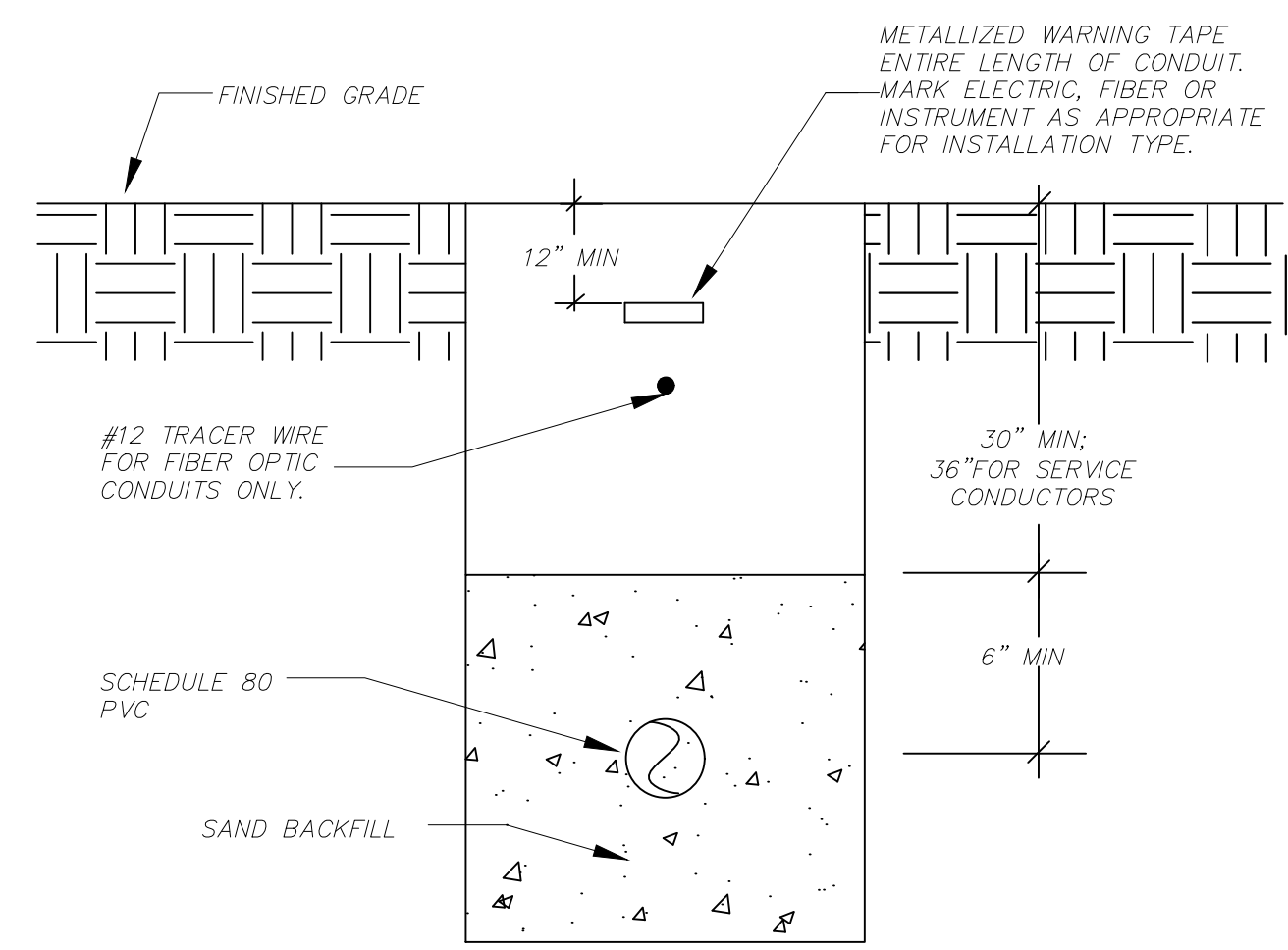
DISCRETE PLC/OUTPUT CIRCUIT
N.T.S.

**INSTRUMENTATION GROUNDING & SURGE PROTECTION
DETAIL**

ES-6

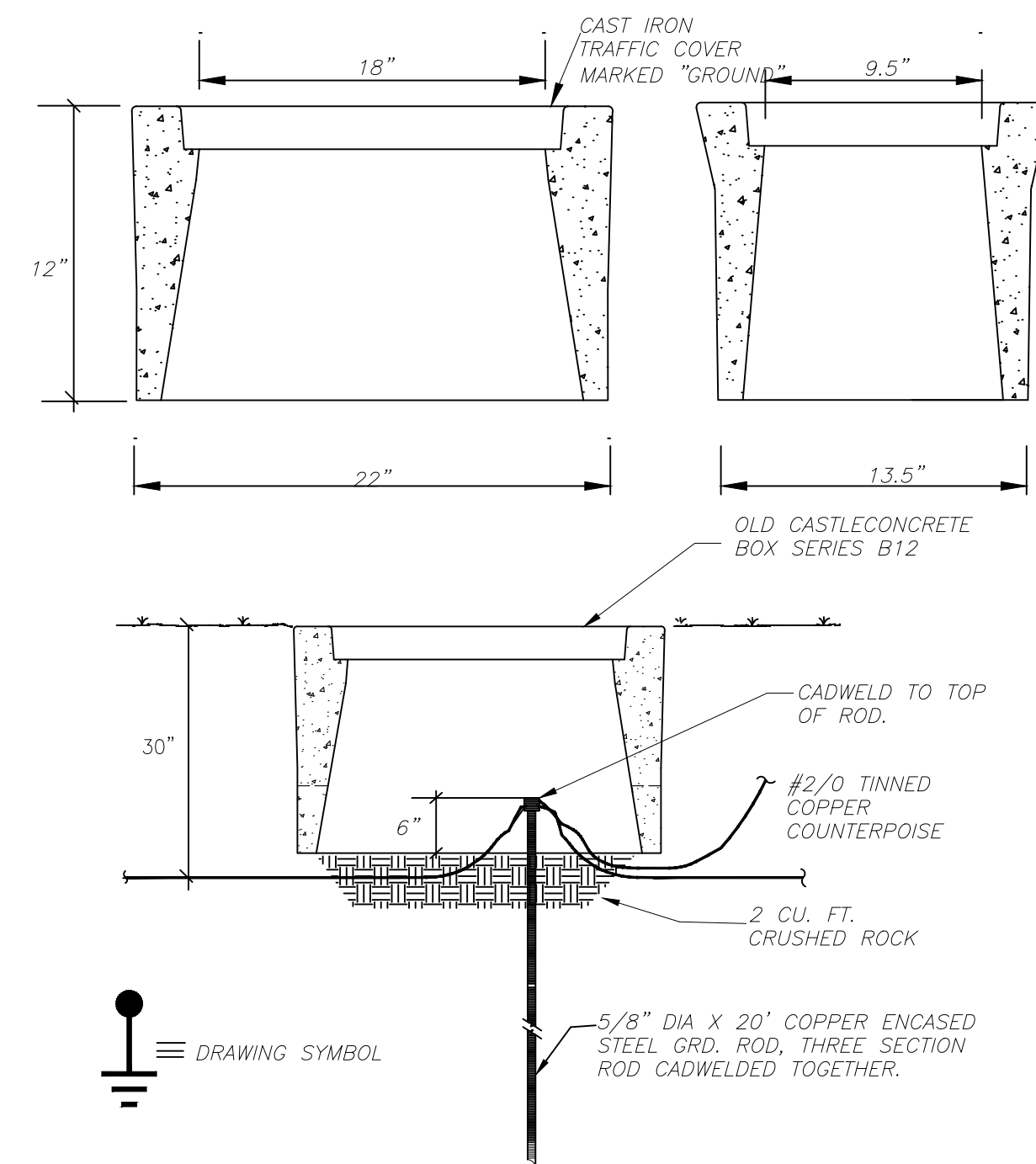
NOTE:
THIS DRAWING IS A LEE
COUNTY STANDARD DETAIL
AND THEREFORE DOES NOT
NEED TO BE SIGNED AND
SEALED

	LEE COUNTY SOUTHWEST FLORIDA	LEE COUNTY UTILITIES ENGINEERING
	1500 MONROE STREET FORT MYERS, FLORIDA 33901	
SHEET TITLE: DUPLEX PUMP STATION TYPICAL DETAILS		
TITLE: STANDARD 208V-30 (0-30HP) DUPLEX PUMP STATION		
PROJECT: WASTE WATER DUPLEX, TRIPLEX PUMP STA. MASTER PUMP STATION DESIGN STANDARD		
PROJECT NO: 208V-30 DPS	FILE NAME: Duplex 208 3P	SHEET NUMBER: 9 OF 10



UNDERGROUND CONDUIT INSTALLATION DETAIL


ES-7



GROUND ROD INSTALLATION DETAIL

ES-8

NOTE:
THIS DRAWING IS A LEE COUNTY STANDARD DETAIL AND THEREFORE DOES NOT NEED TO BE SIGNED AND SEALED

	LEE COUNTY SOUTHWEST FLORIDA 1500 MONROE STREET	LEE COUNTY UTILITIES ENGINEERING FORT MYERS, FLORIDA 33901
	SHEET TITLE: DUPLEX PUMP STATION TYPICAL DETAILS	
TITLE: STANDARD 208V-30 (0-30HP) DUPLEX PUMP STATION		
PROJECT: WASTE WATER DUPLEX, TRIPLEX PUMP STA. MASTER PUMP STATION DESIGN STANDARD		
PROJECT NO.: 208V-30 DPS	FILE NAME: Duplex 208 3P	SHEET NUMBER: 10 OF 10