

**DUPLEX PUMP STATION  
ELECTRICAL DRAWING INDEX**

STANDARD DRAWINGS  
E-1 ELECTRICAL DRAWING INDEX  
E-2 ELECTRICAL SYMBOLS LEGEND & ABBREVIATIONS

DUPLEX PUMP STATION SITES  
E-3 STANDARD 240V-3Ø (0-30HP) DUPLEX PUMP STATION POWER, BONDING & GROUNDING PLAN  
E-4 STANDARD 240V-3Ø (0-30HP) DUPLEX PUMP STATION ELECTRICAL EQUIPMENT RACK ELEVATION  
E-5 STANDARD 240V-3Ø (0-30HP) DUPLEX PUMP STATION ELECTRICAL RISER DIAGRAM

STANDARD DETAIL DRAWINGS  
ES-1 JUNCTION BOX AND TERMINAL STRIP INSTALLATION AT CONTROL PANEL LOCATION  
ES-2 GROUNDING DETAILS  
ES-3 STREAMER RETARDING FIXTURE AIR TERMINAL FIXTURE POLE MOUNTED  
ES-4 LEVEL TRANSMITTER DETAIL  
ES-5 TERMINATION OF SHIELDED INSTRUMENT CONTROL CABINET DETAIL  
ES-6 INSTRUMENT GROUNDING & SURGE PROTECTION DETAIL  
ES-7 UNDERGROUND CONDUIT INSTALLATION  
ES-8 GROUND ROD INSTALLATION DETAIL

**GENERAL NOTE:**

SITE SPECIFIC CONDITIONS DETERMINE THE CLASSIFICATION OF PUMP STATION IN ACCORDANCE WITH FDEP STANDARDS AND MUST BE DETERMINED BY THE DESIGN ENGINEER FOR EACH SPECIFIC PROJECT.


**SUBMITTAL REQUIREMENT:**

LEE COUNTY UTILITIES REQUIRES PUMP STATION SUBMITTALS BE PROVIDED FOR THEIR REVIEW TO ENSURE COMPLIANCE WITH THE LCU PUMP STATION STANDARDS.

ELECTRICAL DRAWING  
INDEX

E - 1

**NOTE:**  
THIS DRAWING IS A LEE COUNTY STANDARD DETAIL AND THEREFORE DOES NOT NEED TO BE SIGNED AND SEALED


	LEE COUNTY SOUTHWEST FLORIDA 1500 MONROE STREET	LEE COUNTY UTILITIES ENGINEERING FORT MYERS, FLORIDA 33901
	SHEET TITLE: <b>DUPLEX PUMP STATION DRAWING INDEX</b>	
TITLE: <b>STANDARD 240V 3PH PUMP STATION</b>		
PROJECT: <b>WASTE WATER DUPLEX, TRIPLEX PUMP STA. MASTER PUMP STATION DESIGN STANDARD</b>		
PROJECT NO: 240V 3PH PS	FILE NAME: 240V 3PH	SHEET NUMBER: 1 OF 10

CONTROL/ELEMENTARY SYMBOLS	ELECTRICAL PLAN SYMBOLS	SYSTEM SYMBOL LEGEND	ABBREVIATIONS LIST
<p>NORMALLY OPEN CONTACT</p> <p>NORMALLY CLOSED CONTACT</p> <p>LIMIT SWITCH, NORMALLY OPEN</p> <p>LIMIT SWITCH, NORMALLY CLOSED</p> <p>PRESSURE SWITCH, NORMALLY OPEN</p> <p>PRESSURE SWITCH, NORMALLY CLOSED</p> <p>FLOAT SWITCH, NORMALLY OPEN</p> <p>FLOAT SWITCH, NORMALLY CLOSED</p> <p>FLOW SWITCH, NORMALLY OPEN</p> <p>FLOW SWITCH, NORMALLY CLOSED</p> <p>TEMPERATURE SWITCH, NORMALLY OPEN</p> <p>TEMPERATURE SWITCH, NORMALLY CLOSED</p> <p>NORMALLY OPEN, TIMED TO CLOSE CONTACT</p> <p>NORMALLY CLOSED, TIMED TO OPEN CONTACT</p> <p>NORMALLY CLOSED, TIMED TO CLOSE CONTACT</p> <p>NORMALLY OPEN, TIMED TO OPEN CONTACT</p> <p>ANALYZER INDICATOR TRANSMITTER</p> <p>ALARM RELAY</p> <p>ALARM TIMER</p> <p>CONTROL RELAY</p> <p>FLOW INDICATOR TRANSMITTER (TOTALIZER)</p> <p>FLOW SWITCH HIGH/LOW</p> <p>LIQUID LEVEL SWITCH</p> <p>LEVEL INDICATOR TRANSMITTER</p> <p>LIMIT SWITCH OR LEVEL SWITCH</p> <p>MOTOR SWITCH MANUAL</p> <p>MOTOR STARTER</p> <p>PRESSURE GAUGE</p> <p>PROCESS FLOW TIMER</p> <p>PRESSURE SWITCH</p> <p>TEMPERATURE SWITCH</p> <p>TIMING RELAY</p> <p>SURGE SUPPRESSION DEVICE</p> <p>SOLENOID VALVE</p> <p>VIBRATION SWITCH</p> <p>TORQUE SWITCH</p> <p>ZERO SPEED SWITCH</p> <p>ALARM INDICATING LIGHT</p> <p>RUN INDICATING LIGHT</p> <p>MOMENTARY CONTACT PUSHBUTTON</p> <p>MOMENTARY BREAK PUSHBUTTON OR RESET KEYSWITCH</p> <p>MAINTAINED CONTACT ON-OFF SWITCH</p> <p>START/STOP (S/S) CONTROL SWITCH</p> <p>MAINTAINED CONTACT</p> <p>FUSE</p> <p>MOLDED CASE CIRCUIT BREAKER</p> <p>CONTROL POWER TRANSFORMER</p> <p>REMOTE TERMINAL BLOCK POINT</p> <p>COPPERWELD GRD. ROD</p> <p>HAND OFF REMOTE CONTROL STATION</p> <p>HAND OFF AUTO CONTROL STATION</p> <p>MOTOR STRIP HEATER</p>	<p>WALL OUTLET BOX AND 20 AMP SINGLE POLE SWITCH ('o' INDICATES SWITCHES) 48" TO CENTERLINE</p> <p>WALL OUTLET BOX AND 20 AMP 3-WAY SWITCH ('o' INDICATES SWITCHES) 48" TO CTR LINE.</p> <p>MANUAL MOTOR STARTING SWITCH WITH OVERLOADS AND PILOT LIGHT. NEMA 4X TYPICAL</p> <p>WALL OUTLET BOX AND 20 AMP SWITCH WITH WEATHERPROOF COVER OR ENCLOSURE.</p> <p>WALL OUTLET BOX AND 20 AMP DUPLEX RECEPTACLE 18" TO CENTERLINE</p> <p>WALL OUTLET BOX AND 20 AMP DUPLEX RECEPTACLE MOUNTED 48" AFF OR AS NOTED.</p> <p>WALL OUTLET BOX AND 20 AMP GFCI DUPLEX RECEPTACLE AT 18" TO CENTERLINE. WP INDICATES WEATHERPROOF COVER PLATE.</p> <p>WALL OUTLET BOX AND 20 AMP GFCI RECEPTACLE MOUNTED 48" AFF OR AS NOTED.</p> <p>WALL OUTLET BOX AND DOUBLE 20 AMP DUPLEX RECEPTACLES 18" TO CENTERLINE</p> <p>FLUSH MOUNTED JUNCTION BOX ( SURFACE IN MECH/ELEC SPACES OR ABOVE CEILINGS).</p> <p>BRANCH CIRCUIT CONDUIT AND WIRE GENERALLY SURFACE MOUNTED, CONCEALED ABOVE CEILINGS SLASH MARKS INDICATE NUMBER OF CONDUCTORS; (MARKS SHOWN TO AID CONTRACTOR IN BIDDING, THE CONTRACTOR SHALL PROVIDE THE REQUIRED CONDUCTORS UNDER THE CONTRACT SUM WHETHER OR NOT SHOWN). SHORT SLASHES INDICATE PHASE CONDUCTOR OR SWITCH LEG, LONG INDICATE NEUTRAL CONDUCTOR. GREEN GROUND CONDUCTOR NOT SHOWN; ALL CONDUITS REQUIRE COPPER GROUND CONDUCTOR. TWO CONDUCTORS PLUS GROUND REQUIRED, MINIMUM.</p> <p>CONDUIT AND WIRE CONCEALED IN FLOOR SLAB OR UNDERGROUND.</p> <p>BRANCH CIRCUIT PANELBOARD AS NOTED; SEE PANEL SCHEDULES</p> <p>DISCONNECT SWITCH SIZE PER EQUIPMENT NAME PLATE OR AS NOTED; FOR DISCONNECTS SERVING MOTOR LOADS OF 10HP OR GREATER AND FOR ALL MOTOR LOADS SERVED THROUGH VARIABLE FREQUENCY DRIVES; PROVIDE SURGE SUPPRESSION DEVICE EQUAL TO SQ.-D. SP3650 OR EQUAL AT DISCONNECT.</p> <p>MOTOR CONNECTION</p> <p>MANUAL TRANSFER SWITCH OR REVERSING SWITCH</p>	<p>SYSTEMS CABINET AS NOTED OR MARKED.</p> <p>LIGHTNING PROTECTION AIR TERMINAL STREAMER RETARDING TYPE.</p> <p>STREAMER RETARDING AIR TERMINAL MOUNTED TO LIGHT POLE.</p> <p><b>SINGLE LINE DIAGRAM SYMBOLS</b></p> <p>VOLTMETER</p> <p>POWER FACTOR METER</p> <p>KILOWATT METER</p> <p>AMMETER</p> <p>THREE PHASE VOLT SWITCH</p> <p>THREE PHASE AMP SWITCH</p> <p>CURRENT TRANSMITTER</p> <p>KILOWATT TRANSMITTER</p> <p>POWER FACTOR TRANSMITTER</p> <p>LOCAL CONTROL PANEL</p> <p>GROUND FAULT INTERRUPTER</p> <p>WATT HOUR METER</p> <p>FUSE</p> <p>CAPACITOR</p> <p>DRAW-OUT CIRCUIT BREAKER</p> <p>MOLDED CASE CIRCUIT BREAKER</p> <p>TYPICAL STARTER CONTROL. SEE SWITCHGEAR CONTROL DIAGRAMS FOR EXACT TYPE.</p> <p>ELECTRIC A.C. MOTOR, NO. INDICATES HORSEPOWER.</p> <p>ELECTRIC D.C. MOTOR, NO. INDICATES HORSEPOWER.</p> <p>SERVICE OR EQUIPMENT GROUND.</p> <p>NON-FUSIBLE DISCONNECT SWITCH, 30A,3P UNLESS OTHERWISE INDICATED.</p> <p>NON-FUSIBLE DISCONNECT SWITCH, 30A,3P UNLESS OTHERWISE INDICATED, WITH REMOTE CONTROL STATION AS REQUIRED BY ELEMENTARY DIAGRAMS OR SPECS.</p> <p>LIGHTING PANELBOARD</p> <p>POWER PANELBOARD</p> <p>KIRK KEY INTERLOCK</p> <p>CURRENT TRANSFORMERS</p> <p>POTENTIAL TRANSFORMERS</p> <p>MANUAL OR AUTOMATIC TRANSFER SWITCH</p>	<p>A AMPS</p> <p>AF AMP FRAME</p> <p>AIC AMPS INTERRUPTING CURRENT</p> <p>ALUM ALUMINUM</p> <p>AT AMP TRIP</p> <p>ATS AUTOMATIC TRANSFER SWITCH</p> <p>AVAIL AVAILABLE</p> <p>AWG AMERICAN WIRE GAUGE</p> <p>C CONDUIT</p> <p>CAB CABINET</p> <p>CAT CATEGORY</p> <p>CONV CONVERSION</p> <p>CRCC CELLULAR ROUTER COMMUNICATION CABINET</p> <p>CU COPPER</p> <p>D DEPTH</p> <p>DIA DIAMETER</p> <p>DRGS DRAWINGS</p> <p>ENET ETHERNET</p> <p>EXT EXTERNAL</p> <p>FOCC FIBER OPTIC CONVERSION CABINET</p> <p>FPL FLORIDA POWER AND LIGHT</p> <p>GND OR GRD. OR G. GROUND</p> <p>H HERTZ</p> <p>I&amp;C INSTRUMENTATION AND CONTROLS</p> <p>I/O INPUT/OUTPUT</p> <p>INST INSTRUMENT</p> <p>INT INTERNAL</p> <p>KVA KILOVOLT-AMPERES (1VA*10<sup>-3</sup>)</p> <p>LCU LEE COUNTY UTILITIES</p> <p>LT LIGHT</p> <p>MA MILLIAMPS (1A*10<sup>-3</sup>)</p> <p>MCB MAGNETIC CIRCUIT BREAKER</p> <p>MIN MINIMUM</p> <p>NA NOT APPLICABLE</p> <p>NEC NATIONAL ELECTRIC CODE</p> <p>NEMA NATIONAL ELECTRIC MANUFACTURERS ASSOCIATION</p> <p>NTS NOT TO SCALE</p> <p>P POLE</p> <p>PH PHASE</p> <p>P&amp;ID PROPORTIONAL INTEGRAL DERIVATIVE</p> <p>PLC PROGRAMMABLE LOGIC CONTROLLER</p> <p>PW PRODUCTION WELL</p> <p>MPZ MINI POWER ZONE</p> <p>SCH SCHEDULE</p> <p>SE SERVICE ENTRANCE</p> <p>SPD SURGE PROTECTION DEVICE</p> <p>SS STAINLESS STEEL</p> <p>TEMP TEMPERATURE OR TEMPORARY</p> <p>TSP TWISTED SHIELDED PAIR</p> <p>TYP TYPICAL</p> <p>U.G. UNDERGROUND</p> <p>UPS UNINTERRUPTIBLE POWER SOURCE</p> <p>V VOLTS</p> <p>VA VOLT-AMPERES (APPARENT POWER)</p> <p>VAC VOLTS ALTERNATING CURRENT</p> <p>VDC VOLTS DIRECT CURRENT</p> <p>VFD VARIABLE FREQUENCY DRIVE</p> <p>W WATTS (REAL POWER)</p> <p>PCP PUMP CONTROL PANEL</p> <p>W/ WITH</p> <p>XFMR TRANSFORMER</p> <p>" INCHES</p> <p>' OR FT FEET</p> <p># OR NO. NUMBER</p> <p>E# OR I# 11"X17" SHEET</p> <p>ES-# 8.5"X11" SHEET</p> <p>FDEP FLORIDA DEPARTMENT OF ENVIRONMENTAL PROTECTION</p>
	LIGHTING FIXTURES SYMBOLS		
	<p>LED FIXTURE POLE MOUNTED SEE DETAIL</p>		

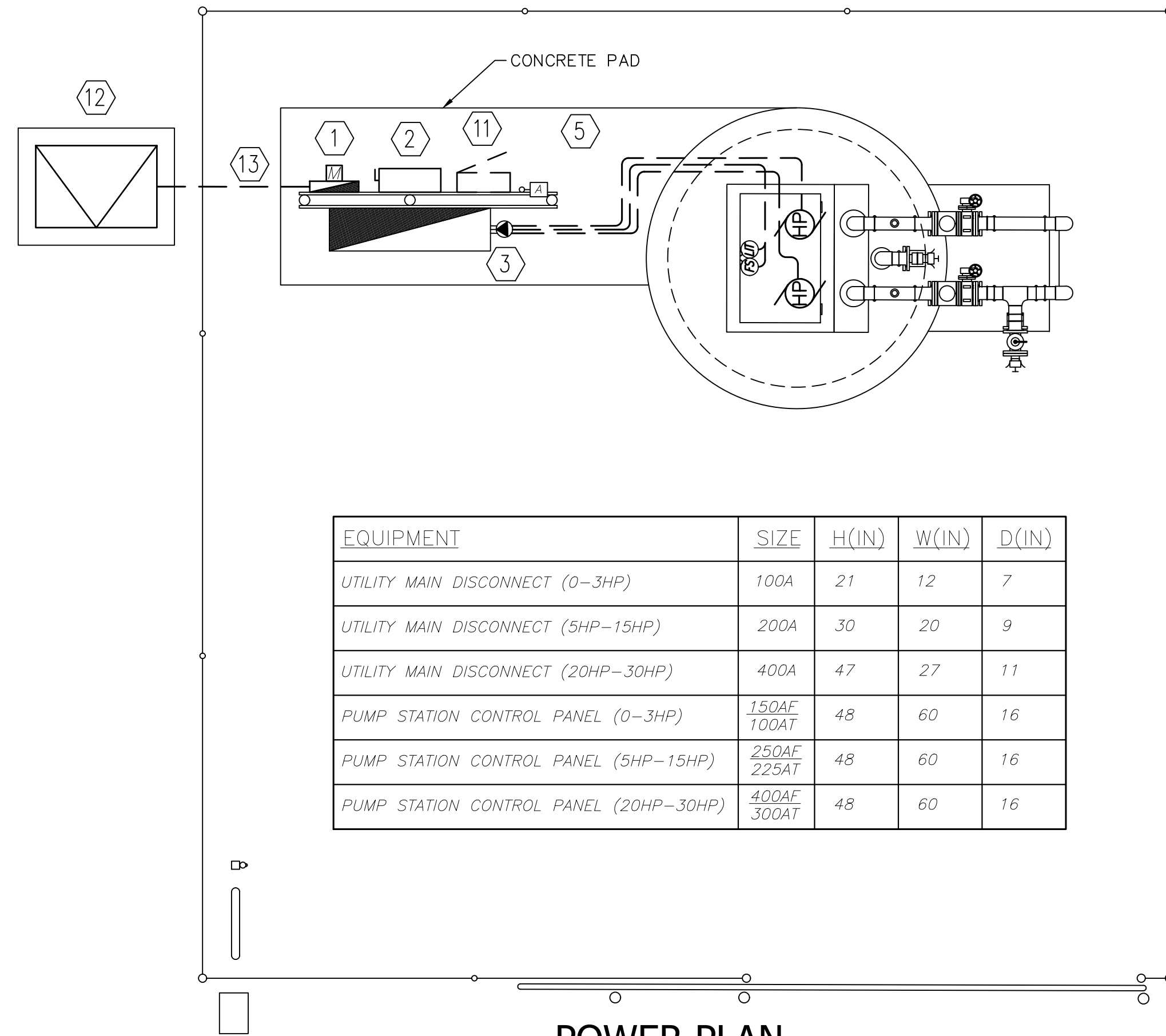
E-2

ELECTRICAL SYMBOLS LEGEND & ABBREVIATIONS

**NOTE:**  
THIS DRAWING IS A LEE COUNTY STANDARD DETAIL AND THEREFORE DOES NOT NEED TO BE SIGNED AND SEALED

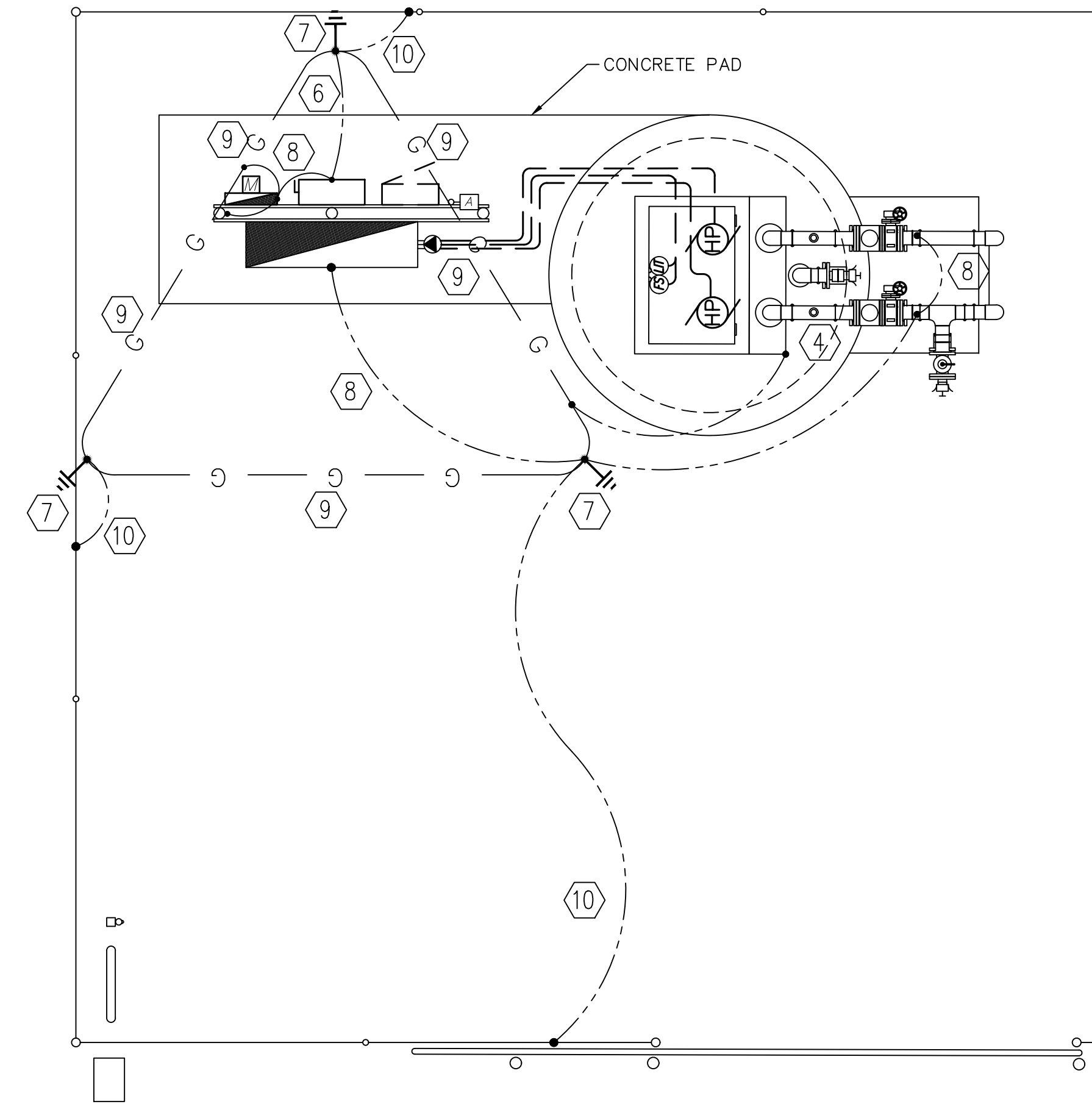
 <p>LEE COUNTY SOUTHWEST FLORIDA</p> <p>1500 MONROE STREET</p>	<p>LEE COUNTY UTILITIES ENGINEERING</p> <p>FORT MYERS, FLORIDA 33901</p>
	<p>SHEET TITLE: DUPLEX PUMP STATION NOTES &amp; ABBREVIATIONS</p>
<p>TITLE: STANDARD 240V 3PH PUMP STATION</p>	<p>PROJECT: WASTE WATER DUPLEX, TRIPLEX PUMP STA. MASTER PUMP STATION DESIGN STANDARD</p>
<p>PROJECT NO.: 240V 3PH PS</p>	<p>FILE NAME: 240V 3PH</p>
<p>SHEET NUMBER: 2 OF 10</p>	

MINIMUM EQUIPMENT RACK LAYOUT BASED ON THE FOLLOWING:  
 ADJUST EQUIPMENT RATINGS AND DIMENSIONS FOR SPECIFIC PUMP STATION  
 HORSEPOWER AND SERVICE SIZE (MINIMUM 100A SERVICE SIZE). IN NO CASE SHALL  
 DIMENSIONS BE PERMITTED TO BE REDUCED IN SIZE.



**POWER PLAN**

EQUIPMENT	SIZE	H(IN)	W(IN)	D(IN)
UTILITY MAIN DISCONNECT (0-3HP)	100A	21	12	7
UTILITY MAIN DISCONNECT (5HP-15HP)	200A	30	20	9
UTILITY MAIN DISCONNECT (20HP-30HP)	400A	47	27	11
PUMP STATION CONTROL PANEL (0-3HP)	150AF 100AT	48	60	16
PUMP STATION CONTROL PANEL (5HP-15HP)	250AF 225AT	48	60	16
PUMP STATION CONTROL PANEL (20HP-30HP)	400AF 300AT	48	60	16



**BONDING & GROUNDING PLAN**

**GENERAL NOTES**

- 1.) ALL EQUIPMENT SHALL BE HUNG ON EQUIPMENT RACK. OPEN WINDOW CUTTING OF ENCLOSURE BOTTOMS IS NOT PERMITTED.
- 2.) REFERENCE SINGLE LINE DRAWING FOR CONDUIT AND WIRE SIZE.
- 3.) ALL U.G. CONNECTIONS TO BE VIA EXOTHERMIC WELD (GADWELD) UNLESS INDICATED OTHERWISE.
- 4.) ALL REQUIRED BONDS MAY NOT BE SHOWN; PROVIDE ADDITIONAL BONDS TO ALL DEVICES, INSTRUMENTS, CABINETS, CONTROL VALVES, ETC. AS REQUIRED TO COMPLY WITH UL AND NEC.

**KEYNOTES**

- 1.) ALUMINUM DIRECT READING UTILITY METER.
- 2.) MAIN SERVICE DISCONNECT.
- 3.) DEP COMPLIANT PUMP CONTROL PANEL WITH PORTABLE GENERATOR RECEPTACLE.
- 4.) BOND TO HINGE CORNER OF HATCH FRAME. DRILL TAP AS REQUIRED.
- 5.) (3) MINIMUM 2" CONDUITS INTO WETWELL. (2) FOR SUBMERSIBLE PUMP CABLES, (1) FOR FLOATS AND LIT CABLES. CORE DRILL NEW PENETRATIONS THROUGH WETWELL. PATCH ALL WITH HYDROCEMENT.
- 6.) TINNED STRANDED COPPER ELECTRIC SERVICE MAIN GROUNDING ELECTRODE CONDUCTOR. SIZE PER SITE SPECIFIC SERVICE REQUIREMENTS.
- 7.) 20' DRIVEN GROUND ROD WITH INSPECTION TEST WELL (SEE DETAIL). TYPICAL.
- 8.) #2 TINNED SOLID COPPER BOND. TYPICAL.
- 9.) #2/0 TINNED STRANDED COPPER COUNTERPOISE LOOP GROUND. TYPICAL.
- 10.) #2/0 TINNED SOLID BARE BOND TO GROUND GRID.
- 11.) PROVIDE SPACE FOR 120/208V 3PH-4WIRE PANELBOARD.


**LIGHTNING PROTECTION LEGEND:**

- LP — MAIN ROOF/DOWN CONDUCTOR TYPICAL
- G — #2/0 TINNED BARE COPPER COUNTERPOISE LOOP GROUND.
- #2 TINNED SOLID COPPER BOND TO EQUIPMENT/CABINETS ETC.

E-3

STANDARD 240V-3Ø (0-30HP) DUPLEX PUMP STATION  
 POWER, BONDING & GROUNDING PLAN

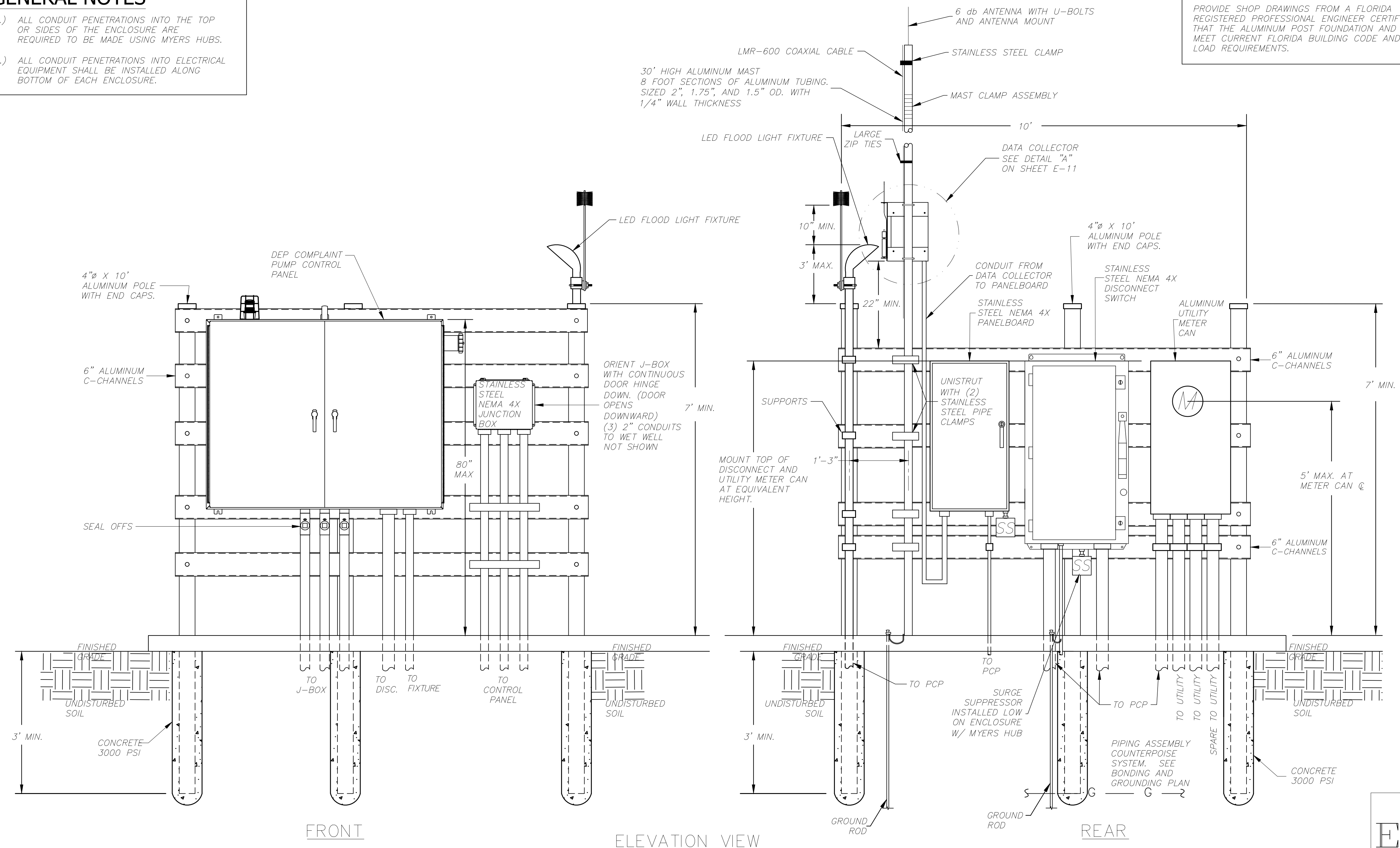
**NOTE:**  
 THIS DRAWING IS A LEE COUNTY STANDARD DETAIL AND THEREFORE DOES NOT NEED TO BE SIGNED AND SEALED

	<b>LEE COUNTY SOUTHWEST FLORIDA</b> 1500 MONROE STREET	<b>LEE COUNTY UTILITIES ENGINEERING</b> FORT MYERS, FLORIDA 33901
	SHEET TITLE: <b>DUPLEX PUMP STATION POWER BONDING &amp; GROUNDING PLAN</b>	
TITLE: <b>STANDARD 240V 3PH PUMP STATION</b>		
PROJECT: <b>WASTE WATER DUPLEX, TRIPLEX PUMP STA. MASTER PUMP STATION DESIGN STANDARD</b>		
PROJECT NO: 240V 3PH PS	FILE NAME: 240V 3PH	SHEET NUMBER: 3 OF 10

**GENERAL NOTES**

- 1.) ALL CONDUIT PENETRATIONS INTO THE TOP OR SIDES OF THE ENCLOSURE ARE REQUIRED TO BE MADE USING MYERS HUBS.
- 2.) ALL CONDUIT PENETRATIONS INTO ELECTRICAL EQUIPMENT SHALL BE INSTALLED ALONG BOTTOM OF EACH ENCLOSURE.

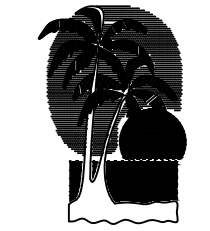
PROVIDE SHOP DRAWINGS FROM A FLORIDA REGISTERED PROFESSIONAL ENGINEER CERTIFYING THAT THE ALUMINUM POST FOUNDATION AND RACK MEET CURRENT FLORIDA BUILDING CODE AND WIND LOAD REQUIREMENTS.



STANDARD 240V-3Ø (0-30HP) DUPLEX PUMP STATION ELECTRICAL EQUIPMENT RACK ELEVATION

E-4

**NOTE:**  
THIS DRAWING IS A LEE COUNTY STANDARD DETAIL AND THEREFORE DOES NOT NEED TO BE SIGNED AND SEALED

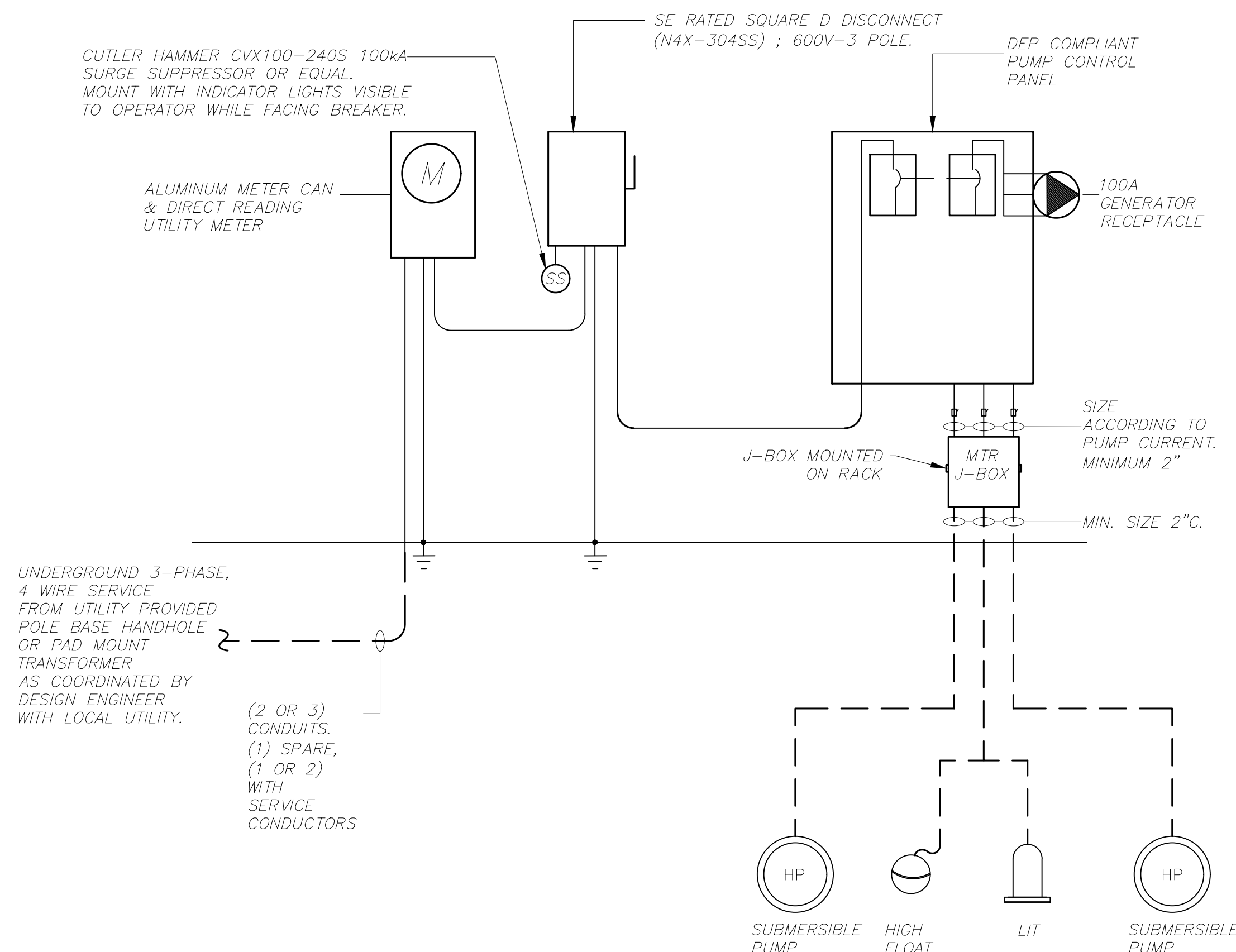
 <p>LEE COUNTY SOUTHWEST FLORIDA</p>	<p>LEE COUNTY UTILITIES ENGINEERING</p>
	<p>1500 MONROE STREET FORT MYERS, FLORIDA 33901</p>
<p>SHEET TITLE: <b>DUPLEX PUMP STATION ELECTRICAL EQUIPMENT RACK ELEVATION</b></p>	
<p>TITLE: <b>STANDARD 240V 3PH PUMP STATION</b></p>	
<p>PROJECT: <b>WASTE WATER DUPLEX, TRIPLEX PUMP STA. MASTER PUMP STATION DESIGN STANDARD</b></p>	
<p>PROJECT NO.: 240V 3PH PS</p>	<p>FILE NAME: 240V 3PH</p>
<p>SHEET NUMBER: 4 OF 10</p>	

PROVIDE MINIMUM SERVICES UTILITY SIZES AS FOLLOWS:

SERVICE SIZE:	CONDUIT SIZE:	CONDUCTOR SIZE:	GROUND SIZE:
100A	(1)2"	(4)#3	(1)#8
200A	(1)2.5"	(4)#3/0	(1)#3
400A	(2)2.5"	(4)#3/0 IN EACH	(1)#3 IN EACH

**GENERAL NOTES:**

- MINIMUM EQUIPMENT AIC RATINGS:  
240V SERVICE 35,000AIC  
480V SERVICE 65,000AIC  
EQUIPMENT AIC RATINGS SHOWN TO ESTABLISH MINIMUM ACCEPTABLE RATING. DESIGNER TO COORDINATE REQUIRED AIC RATINGS WITH SITE SPECIFIC ELECTRICAL SERVICE CHARACTERISTICS AND IN NO CASE LOWER THEN ESTABLISHED MINIMUMS.
- THIS PLAN DOES NOT INDICATE ALL CONDUIT & WIRE REQUIRED; SEE ADDITIONAL REQUIREMENTS ON ELEMENTARY & PLAN DRAWINGS.



GENERIC SINGLE LINE DRAWING-- REVISE ACCORDINGLY TO PROVIDE SITE SPECIFIC DETAILS INCLUDING UTILITY COORDINATION, SERVICE SIZE AND GENERATOR SIZE, SIZE SERVICE, GENERATOR, CONDUIT AND WIRE PER SITE SPECIFIC WELL HORSEPOWER.

**ELECTRICAL RISER DIAGRAM (240V 3-PHASE)**

N.T.S.

STANDARD 240V-3Ø (0-30HP) DUPLEX PUMP STATION ELECTRICAL RISER DIAGRAM

PANEL: LP	BUS: 100A, 60A MCB	VOLTAGE: 120/240V,1P,3W		
MOUNTING: WALL MOUNT	POLES: 18	35,000AIC MIN		
LOCATION: EQUIPMENT RACK	NEMA 4X SS ENCLOSURE			
CIR. NO.	DESCRIPTION	TRIP	POLES	REMARKS
1	DATA COLLECTOR HUB	20	1	
2	SPARE	20	1	
3	SPARE	20	1	
4	SPARE	20	1	
5	SPARE	20	1	
6	SPARE	20	1	
7	SPARE	20	1	
8	SPARE	20	1	
9-17	SPACE	20	1	
10-12	SPACE	20	1	
14,16,18	SURGE SUPPRESSION	30	1	

PROVIDE PANEL WITH 35KAIC RATING.  
PROVIDE PANEL WITH EXTERNAL CUTLER HAMMER CVX100 SERIES SPD

**PANEL SCHEDULE**

N.T.S.

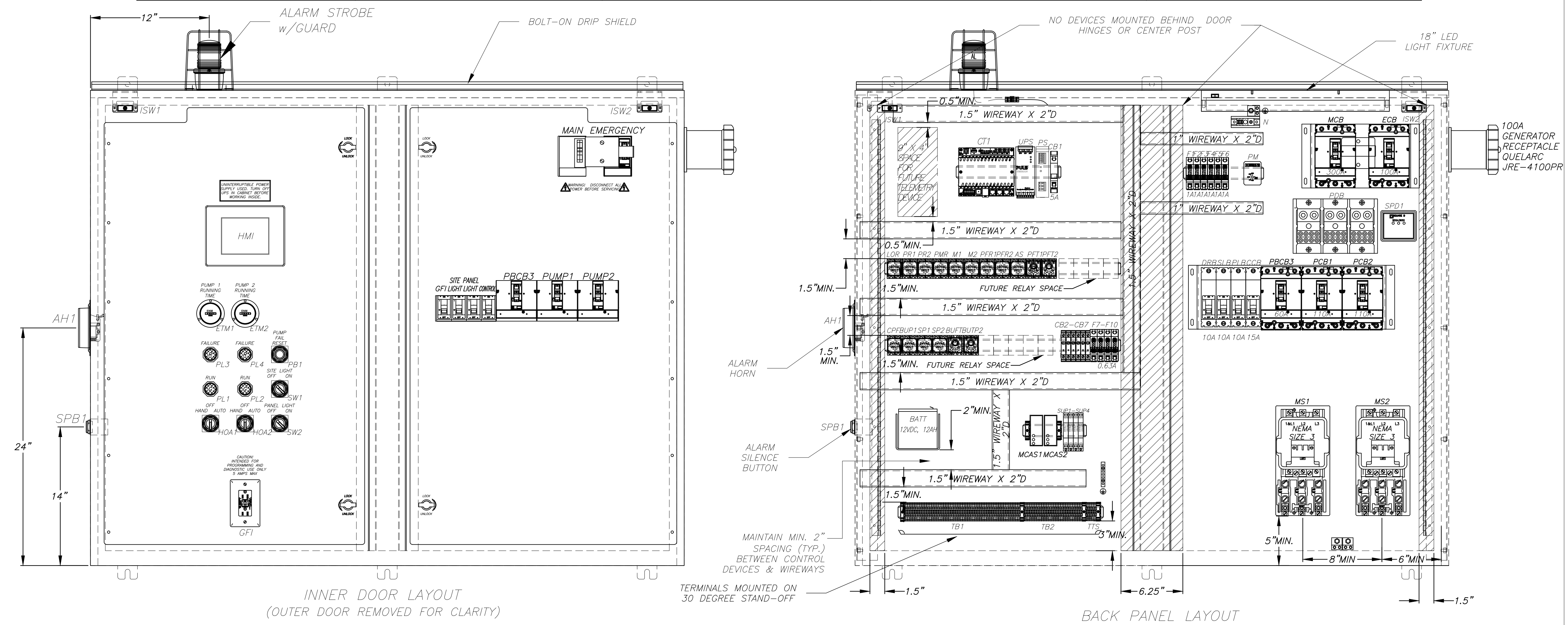
E-5

**NOTE:**  
THIS DRAWING IS A LEE COUNTY STANDARD DETAIL AND THEREFORE DOES NOT NEED TO BE SIGNED AND SEALED

	LEE COUNTY UTILITIES ENGINEERING 1500 MONROE STREET FORT MYERS, FLORIDA 33901
	SHEET TITLE: <b>DUPLEX PUMP STATION ELECTRICAL RISER DIAGRAM</b>
TITLE: <b>STANDARD 240V 3PH PUMP STATION</b>	PROJECT: <b>WASTE WATER DUPLEX, TRIPLEX PUMP STA. MASTER PUMP STATION DESIGN STANDARD</b>
PROJECT NO.: 240V 3PH PS	FILE NAME: 240V 3PH
SHEET NUMBER: 5 OF 10	

CONTROL WIRE COLOR CODE:

FUNCTION DESCRIPTION	WIRE COLOR	FUNCTION DESCRIPTION	WIRE COLOR	FUNCTION DESCRIPTION	WIRE COLOR	FUNCTION DESCRIPTION	WIRE COLOR	FUNCTION DESCRIPTION	WIRE COLOR
120VAC FEED	BLACK	H-O-A 1 SCADA	BROWN	PUMP 2 RUN SCADA	ORANGE/BLACK	PUMP 3 FAIL SCADA	BLUE/RED	START PUMP 3	BLACK/BLUE
120VAC LOAD	RED	H-O-A 1 COMMON SCADA	BROWN	PUMP 2 RUN COMMON SCADA	ORANGE/BLACK	PUMP 3 FAIL COMMON SCADA	BLUE/RED	START PUMP 3 COMMON	BLACK/BLUE
120VAC NEUTRAL	WHITE	H-O-A 2 SCADA	RED/BLACK	PUMP 3 RUN SCADA	YELLOW/BLACK	CONTROL POWER FAIL SCADA	YELLOW/RED	ALARM RESET	RED/BLUE
PHASE MONITOR FAIL	BLUE	H-O-A 2 COMMON SCADA	RED/BLACK	PUMP 3 RUN COMMON SCADA	YELLOW/BLACK	CONTROL POWER FAIL SCADA COMMON	YELLOW/RED	ALARM RESET COMMON	RED/BLUE
PHASE MONITOR COMMON	BLUE	H-O-A 3 SCADA	YELLOW	PUMP 1 FAIL SCADA	BROWN/BLACK	START PUMP 1	ORANGE/RED	ALARM LIGHT HORN	ORANGE/BLUE
24VDC POSITIVE (+)	BLUE	H-O-A 3 COMMON SCADA	YELLOW	PUMP 1 FAIL COMMON SCADA	BROWN/BLACK	START PUMP 1 COMMON	ORANGE/RED	ALARM LIGHT HORN COMMON	ORANGE/BLUE
24VDC NEGATIVE (-)	WHITE/BLUE	PUMP 1 RUN SCADA	BLUE/BLACK	PUMP 2 FAIL SCADA	BLACK/RED	START PUMP 2	BROWN/RED	SCADA HIGH LEVEL FLOAT	YELLOW/BLUE
GROUND	GREEN	PUMP 1 RUN COMMON SCADA	BLUE/BLACK	PUMP 2 FAIL COMMON SCADA	BLACK/RED	START PUMP 2 COMMON	BROWN/RED	SCADA HIGH LEVEL FLOAT COMMON	YELLOW/BLUE

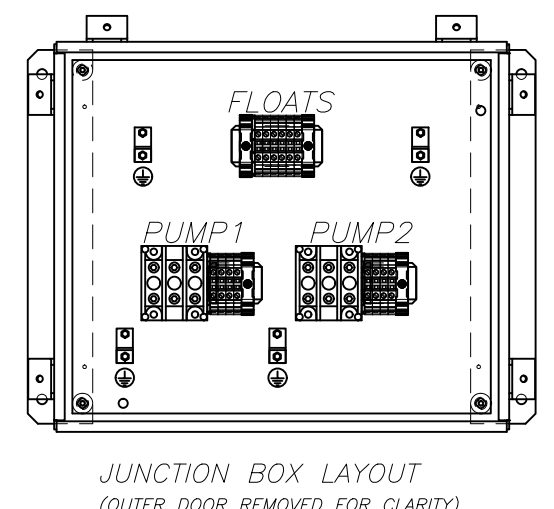
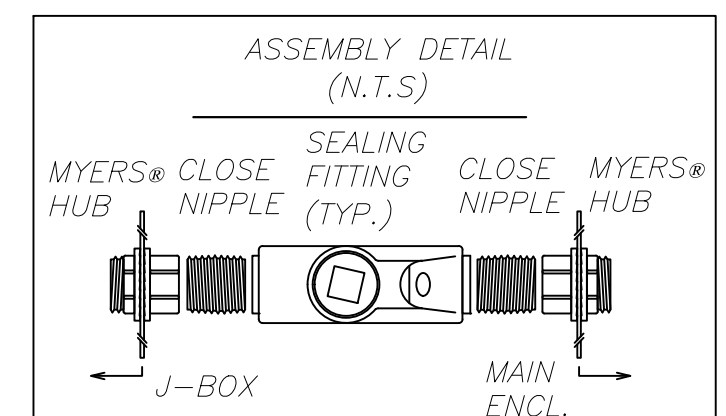


**ENCLOSURE:**  
 MIN. SPN4DSS-486016 (48"H x 60"W x 16"D) NEMA 4X RATED, WITH BOLT-ON DRIP SHIELD AND REMOVABLE CENTER POST. FABRICATED FROM TYPE 304 STAINLESS STEEL, WITH POLISHED FINISH. OUTER DOORS HAVE 3-POINT PAD-LOCKABLE HANDLES, AND 90° STOPS.

**BACK PANEL:**  
 SPPD-6048 (45"H x 57"W) FABRICATED FROM 12ga. CARBON STEEL PAINTED WHITE.

**INNER DOOR:**  
 (2) HID-4830 FABRICATED FROM .125 BLACK ENGRAVED ALUMINUM.

- NOTES:**
1. TERMINAL ON CONTROL CIRCUIT TERMINAL STRIP
  2. TERMINAL ON POWER DISTRIBUTION BLOCK
  3. NEUTRAL AND GROUND LUGS
  4. FIELD WIRING (EXTERNAL TO CONTROL PANEL)
  5. PANEL WIRING
  6. SEAL ALL CONDUITS ENTERING CONTROL PANEL
  7. CONTROL PANEL IS UL508A LABELED
  8. INSTALL IN ACCORDANCE WITH ARTICLE 504 OF THE N.E.C.
  9. MINIMUM #14 AWG WIRE AT 600V
  10. MAINTAIN MIN. 2" SPACE BETWEEN CONTROL DEVICES & WIREWAYS
  11. MAINTAIN MAX. 6" EXTRA LENGTH ON CONTROL WIRES
  12. ALL BREAKERS MUST BE ACCESSIBLE FROM DEAD-FRONT



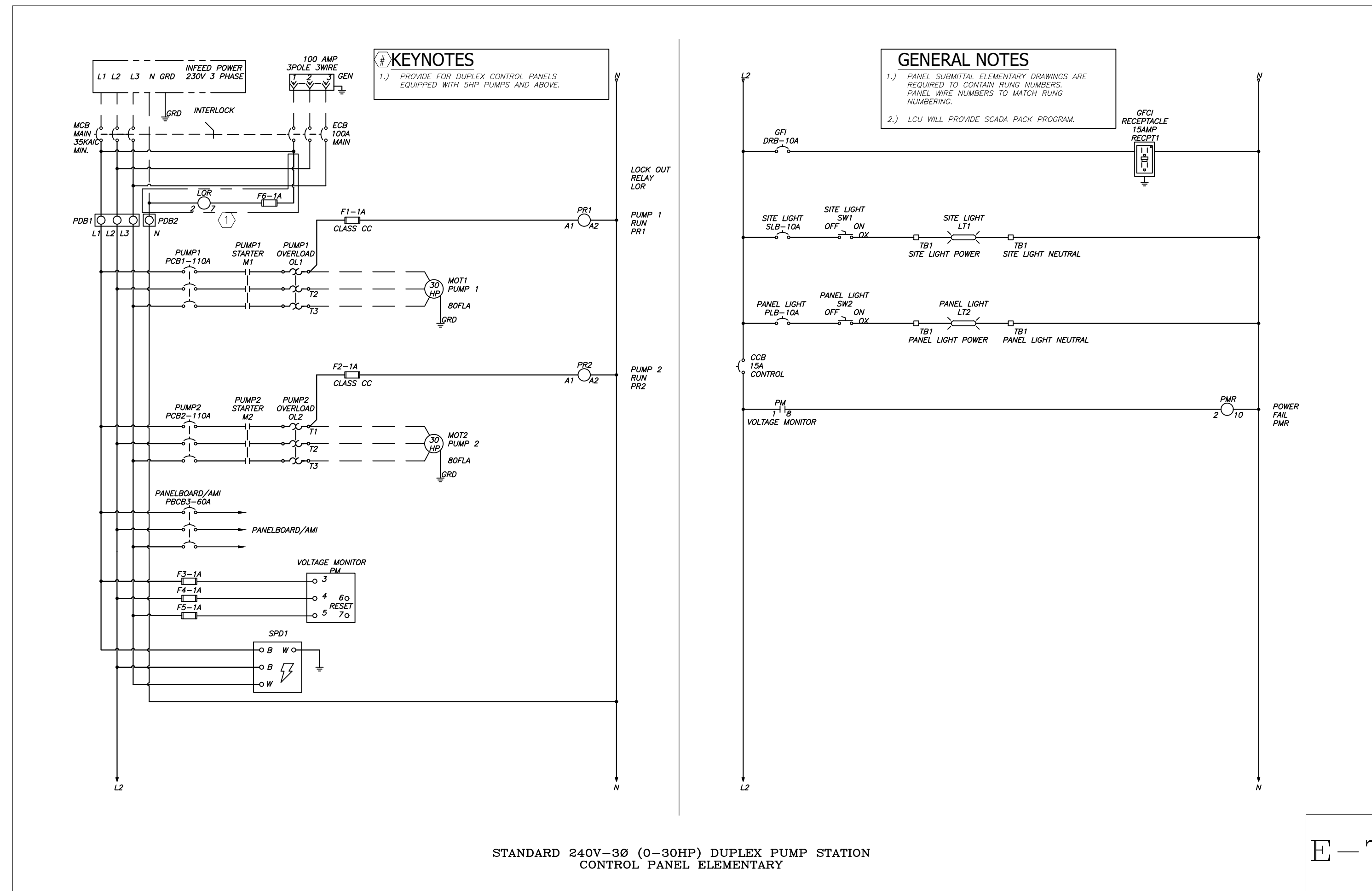
**JUNCTION BOX ENCLOSURE:**  
 SPJH4SS-14128 (14"H x 12"W x 8"D) NEMA 4X RATED, JIC TYPE, FABRICATED FROM TYPE 304 STAINLESS STEEL, POLISHED FINISH. OUTER DOOR HAS JIC CLAMPS.

**BACK PANEL:**  
 SPPJ-1412 (12.88"H x 10.88"W) FABRICATED FROM 12ga. CARBON STEEL PAINTED WHITE.

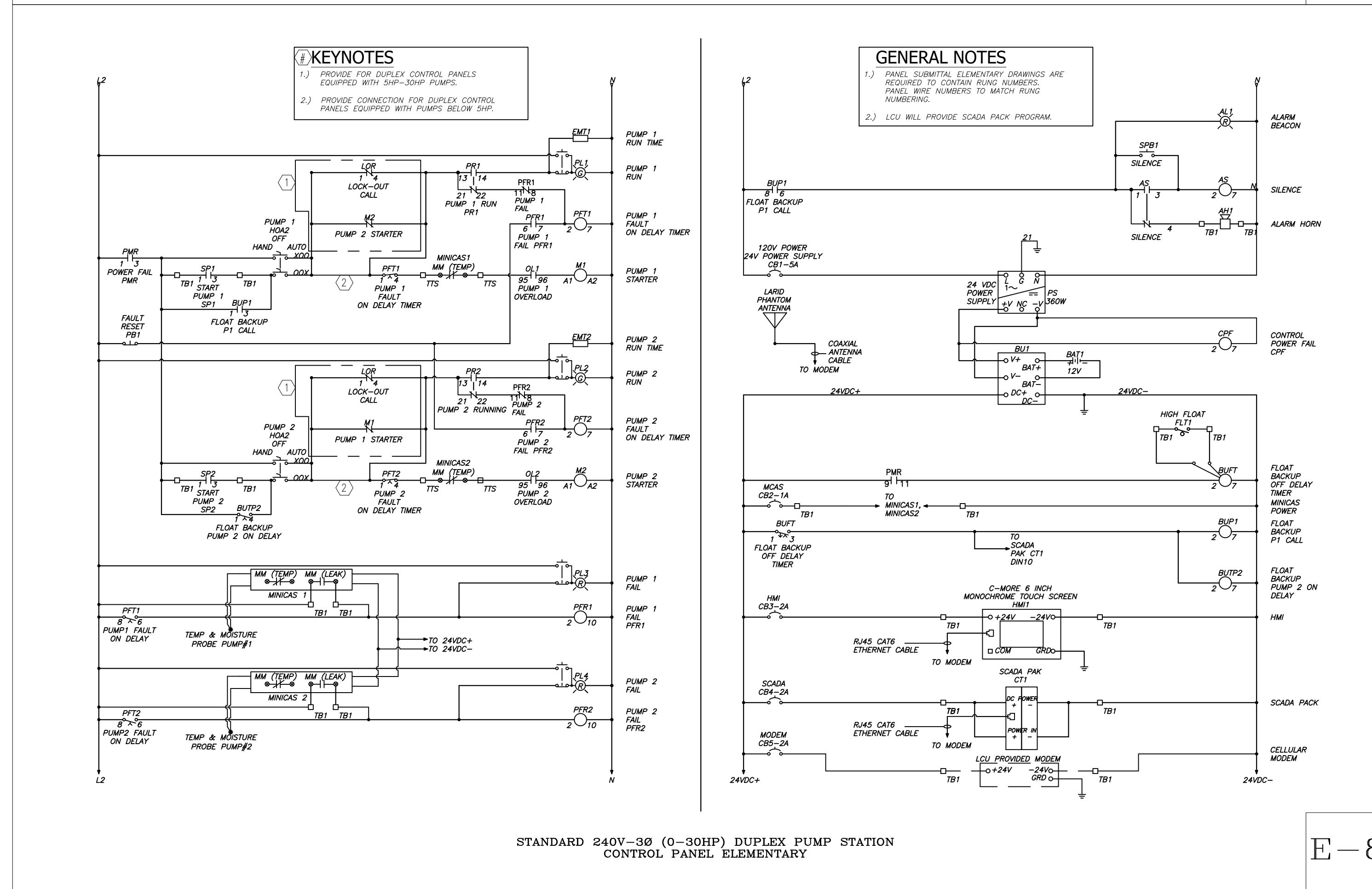
E-6

**NOTE:**  
 THIS DRAWING IS A LEE COUNTY STANDARD DETAIL AND THEREFORE DOES NOT NEED TO BE SIGNED AND SEALED

<p>LEE COUNTY SOUTHWEST FLORIDA</p>	<p>LEE COUNTY UTILITIES ENGINEERING</p>
	<p>1500 MONROE STREET FORT MYERS, FLORIDA 33901</p>
<p>SHEET TITLE: <b>DUPLEX PUMP STATION CONTROL PANEL ELEVATION</b></p>	
<p>TITLE: <b>STANDARD 240V 3PH PUMP STATION</b></p>	
<p>PROJECT: <b>WASTE WATER DUPLEX, TRIPLEX PUMP STA. MASTER PUMP STATION DESIGN STANDARD</b></p>	
<p>PROJECT NO: 240V 3PH PS</p>	<p>FILE NAME: 240V 3PH</p>
<p>SHEET NUMBER: 6 OF 10</p>	




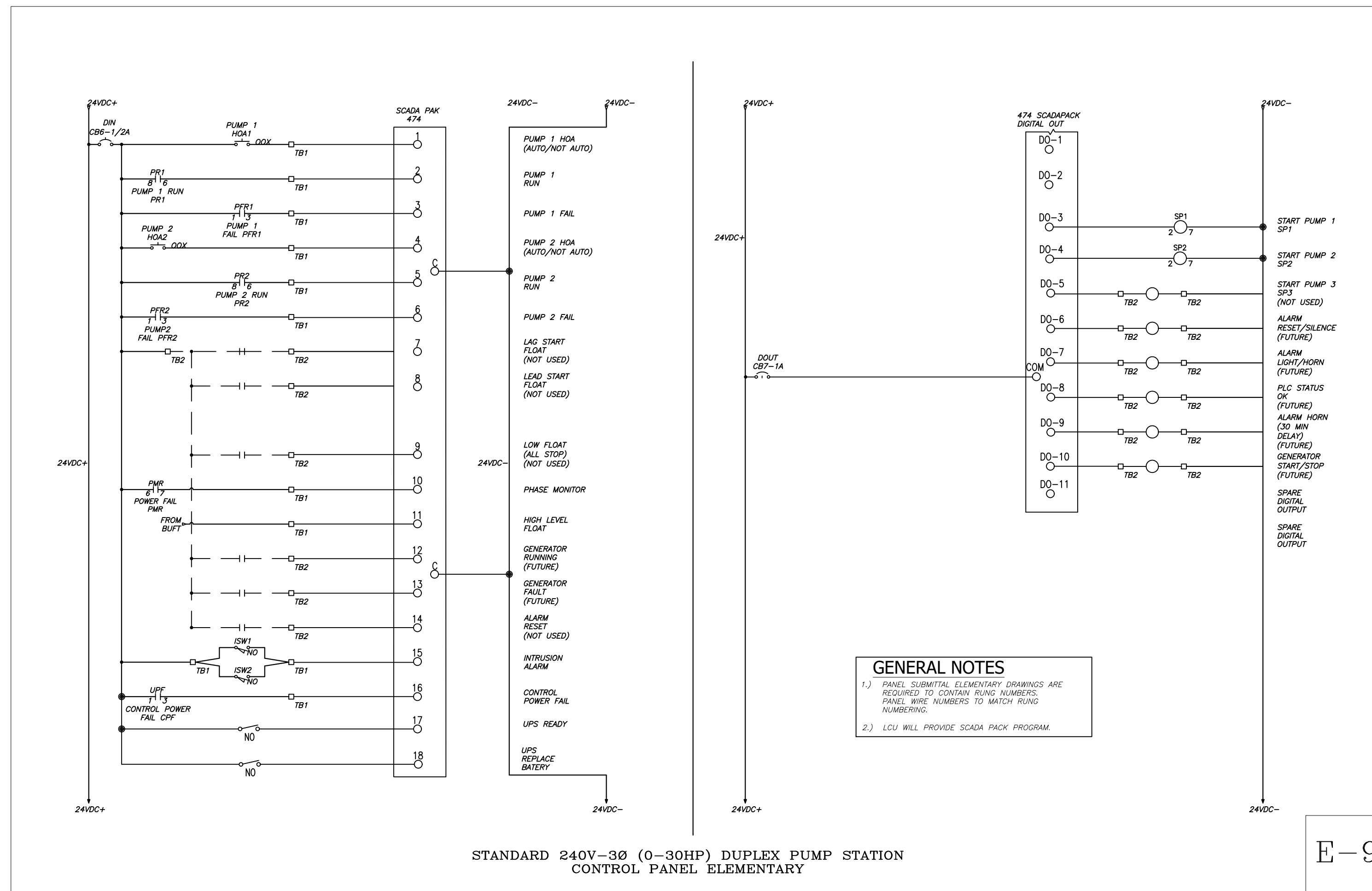
E-7



E-8

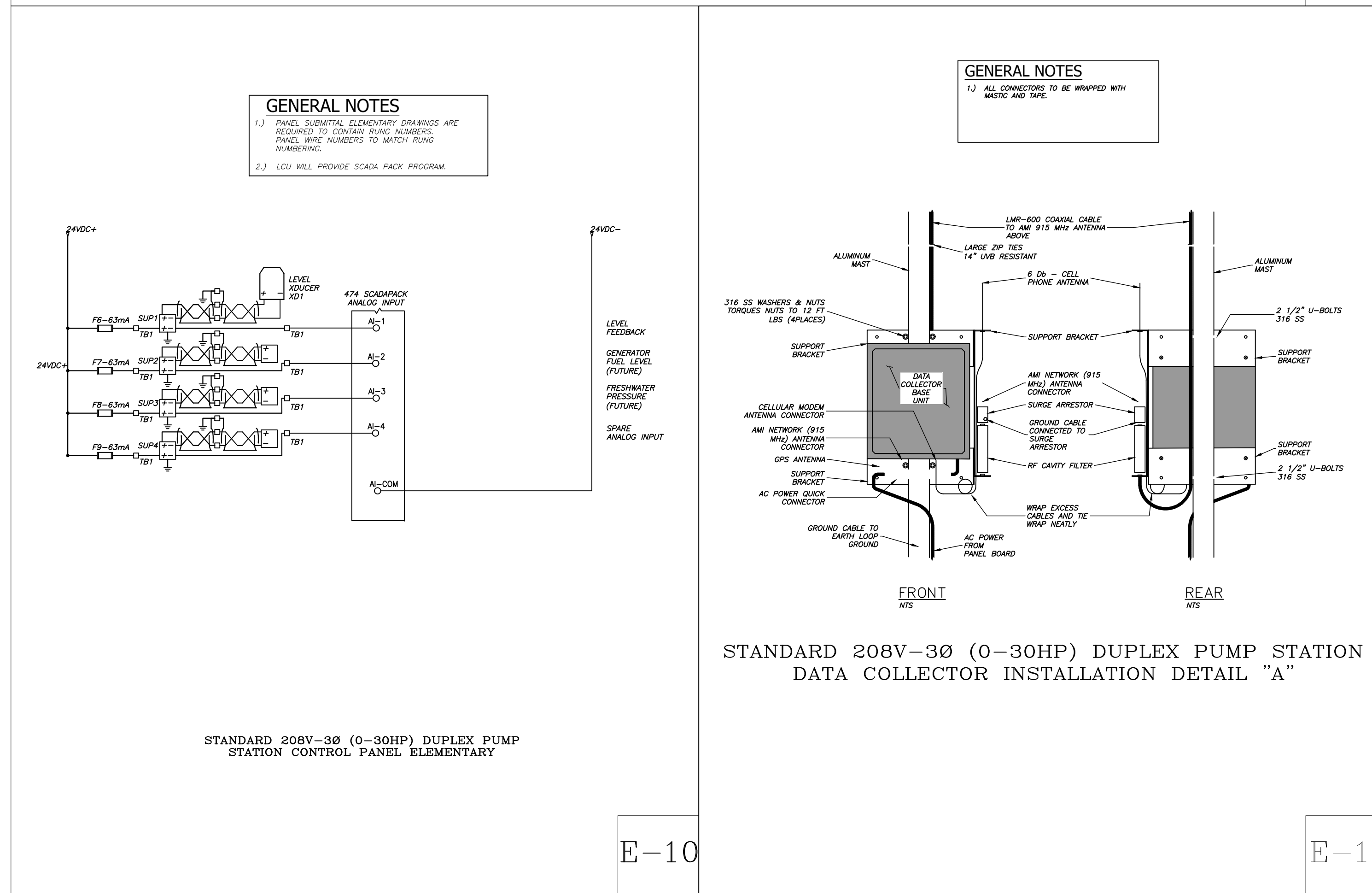
**NOTE:**  
THIS DRAWING IS A LEE COUNTY STANDARD DETAIL AND THEREFORE DOES NOT NEED TO BE SIGNED AND SEALED

	<b>LEE COUNTY SOUTHWEST FLORIDA</b> 1500 MONROE STREET FORT MYERS, FLORIDA 33901	<b>LEE COUNTY UTILITIES ENGINEERING</b>
	SHEET TITLE: <b>DUPLEX PUMP STATION ELECTRICAL DIAGRAMS</b>	
TITLE: <b>STANDARD 240V 3PH PUMP STATION</b>		
PROJECT: <b>WASTE WATER DUPLEX, TRIPLEX PUMP STA. MASTER PUMP STATION DESIGN STANDARD</b>		
PROJECT NO: 240V 3PH PS	FILE NAME: 240V 3PH	SHEET NUMBER: 7 OF 10



**GENERAL NOTES**  
 1.) PANEL SUBMITTAL ELEMENTARY DRAWINGS ARE REQUIRED TO CONTAIN RUNG NUMBERS. PANEL WIRE NUMBERS TO MATCH RUNG NUMBERING.  
 2.) LCU WILL PROVIDE SCADA PAK PROGRAM.

E-9



**GENERAL NOTES**  
 1.) ALL CONNECTORS TO BE WRAPPED WITH MASTIC AND TAPE.

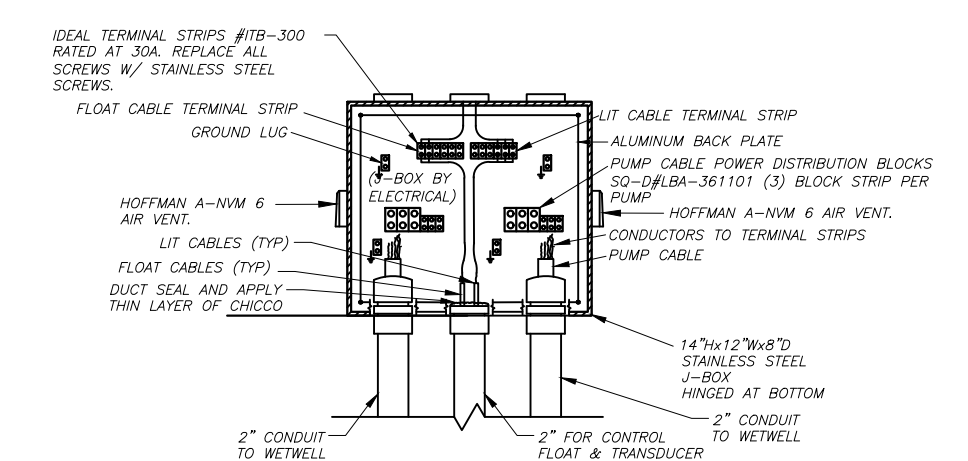
**GENERAL NOTES**  
 1.) PANEL SUBMITTAL ELEMENTARY DRAWINGS ARE REQUIRED TO CONTAIN RUNG NUMBERS. PANEL WIRE NUMBERS TO MATCH RUNG NUMBERING.  
 2.) LCU WILL PROVIDE SCADA PAK PROGRAM.

E-11

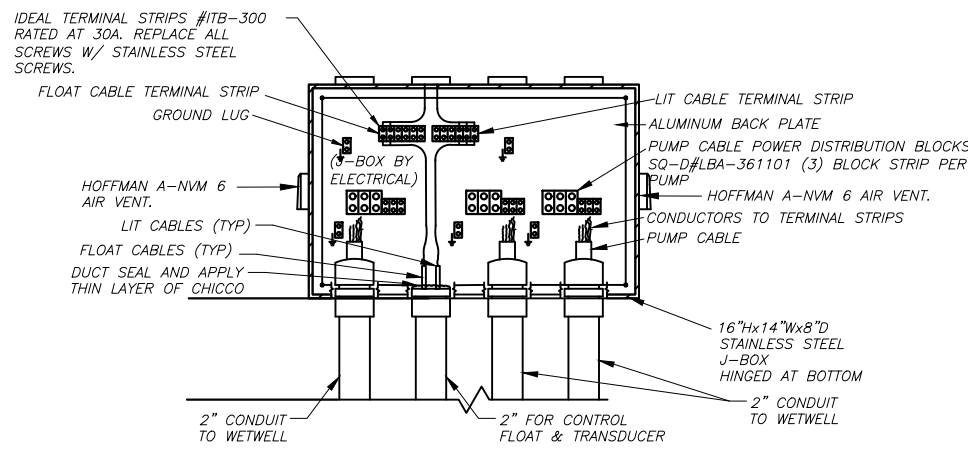
**NOTE:**  
 THIS DRAWING IS A LEE COUNTY STANDARD DETAIL AND THEREFORE DOES NOT NEED TO BE SIGNED AND SEALED

	<b>LEE COUNTY SOUTHWEST FLORIDA</b> 1500 MONROE STREET	<b>LEE COUNTY UTILITIES ENGINEERING</b> FORT MYERS, FLORIDA 33901
	SHEET TITLE: <b>DUPLEX PUMP STATION ELEVATION &amp; ELECTRICAL DIAGRAMS</b>	
TITLE: <b>STANDARD 240V 3PH PUMP STATION</b>		
PROJECT: <b>WASTE WATER DUPLEX, TRIPLEX PUMP STA. MASTER PUMP STATION DESIGN STANDARD</b>		
PROJECT NO.: 240V 3PH PS	FILE NAME: 240V 3PH	SHEET NUMBER: 8 OF 10





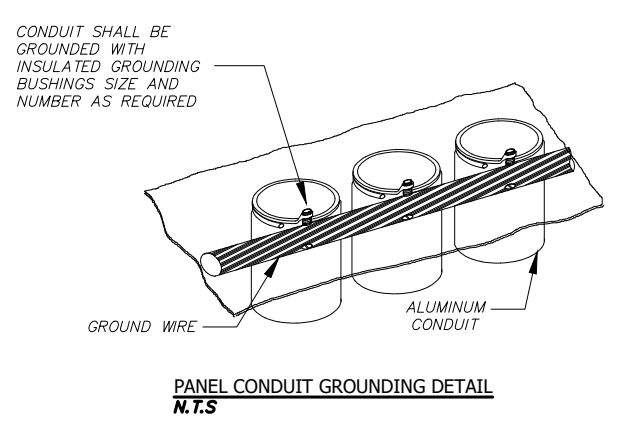
**DUPLEX JUNCTION BOX**  
N.T.S.



**TRIPLEX JUNCTION BOX**  
N.T.S.

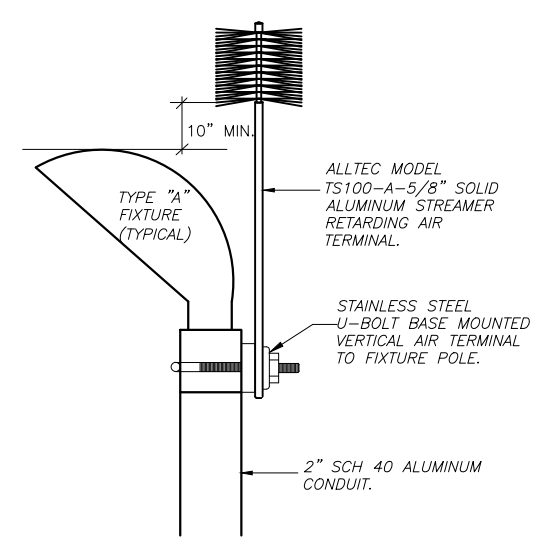
**JUNCTION BOX & TERMINAL STRIP INSTALLATION AT  
CONTROL PANEL LOCATION**

ES-1



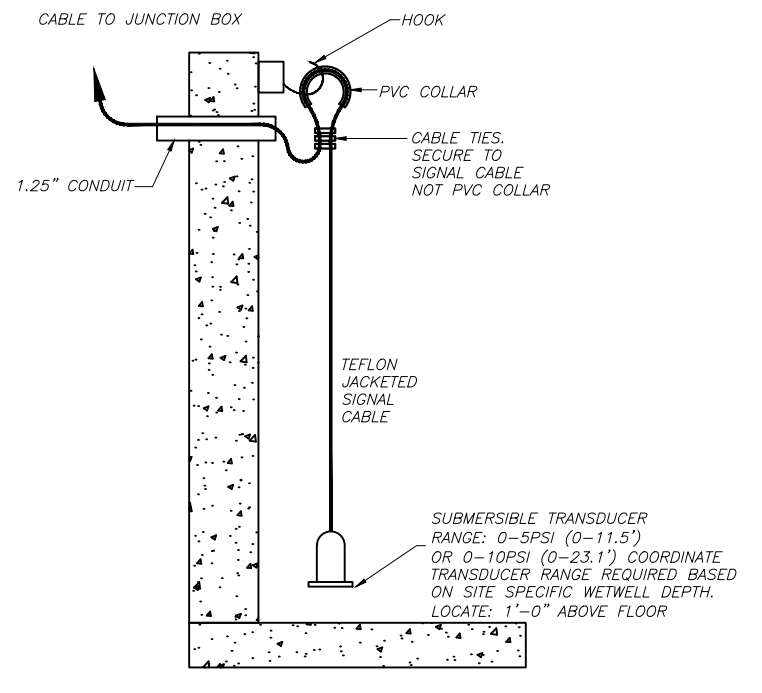
**GROUNDING DETAILS**

ES-2



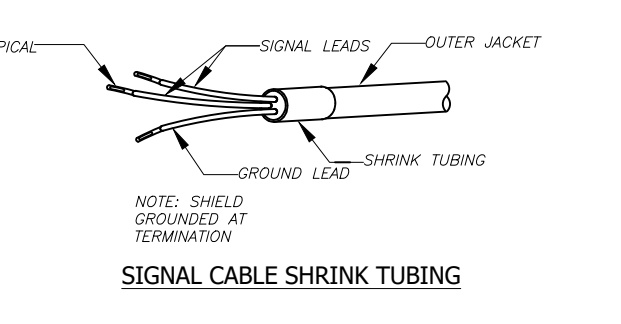
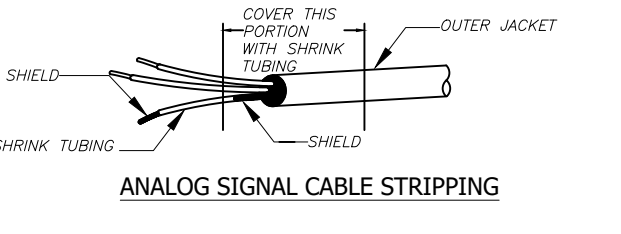
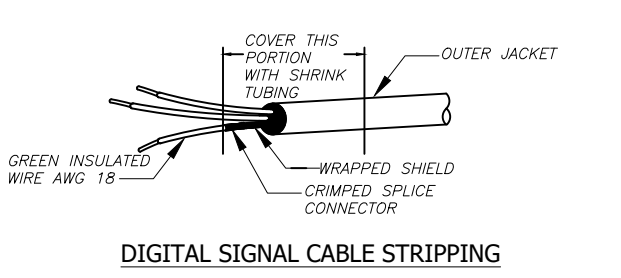
**STREAMER RETARDING AIR TERMINAL FIXTURE POLE  
DETAIL**

ES-3



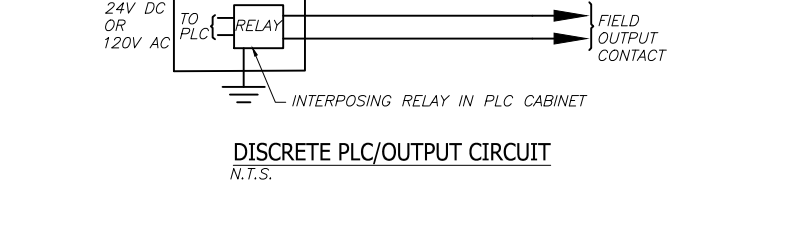
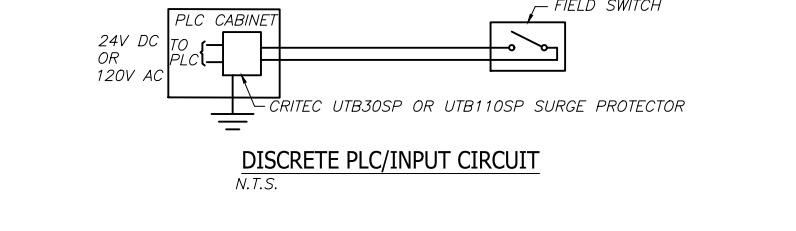
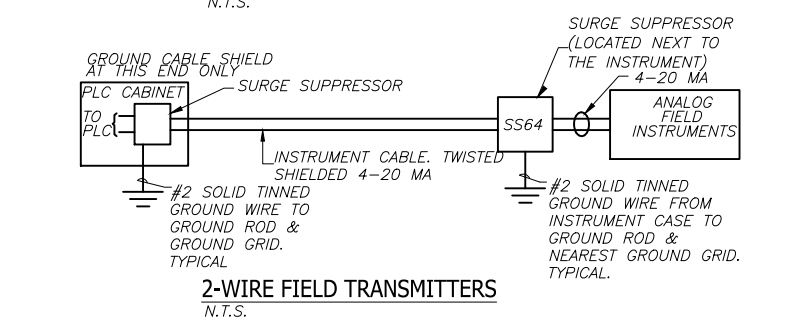
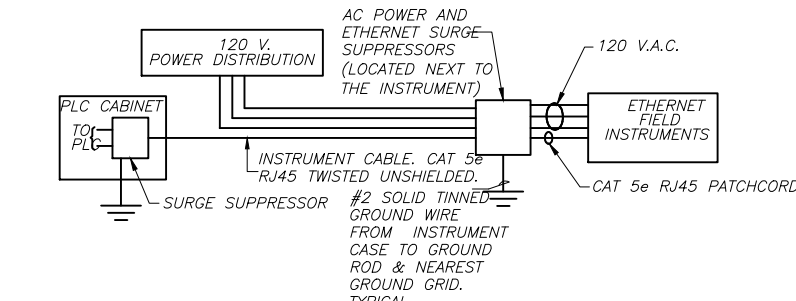
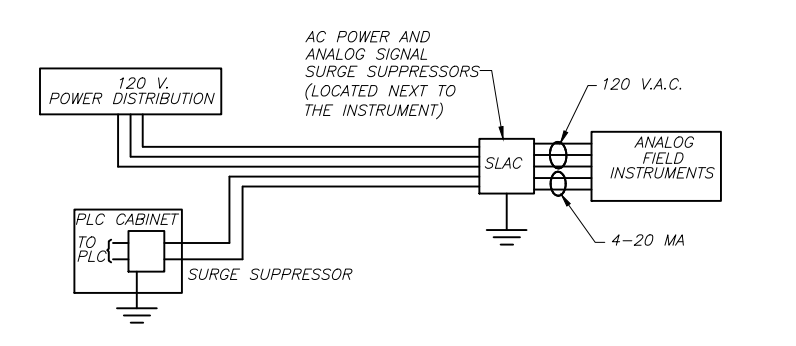
**LEVEL TRANSMITTER DETAIL**

ES-4



**TERMINATION OF SIGNAL CABLE CONTROL  
CABLE DETAIL**

ES-5

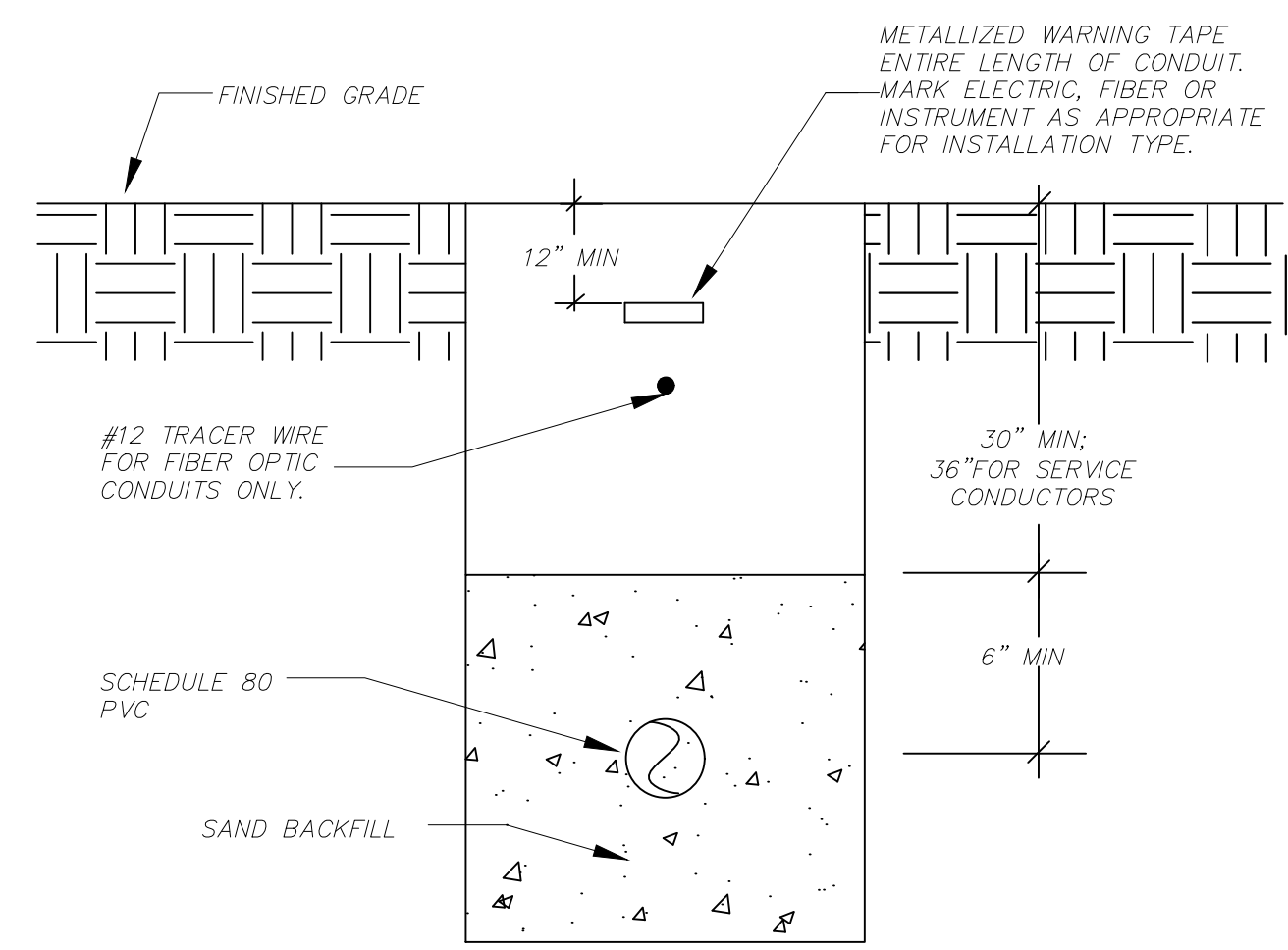


**INSTRUMENTATION GROUNDING & SURGE PROTECTION  
DETAIL**

ES-6

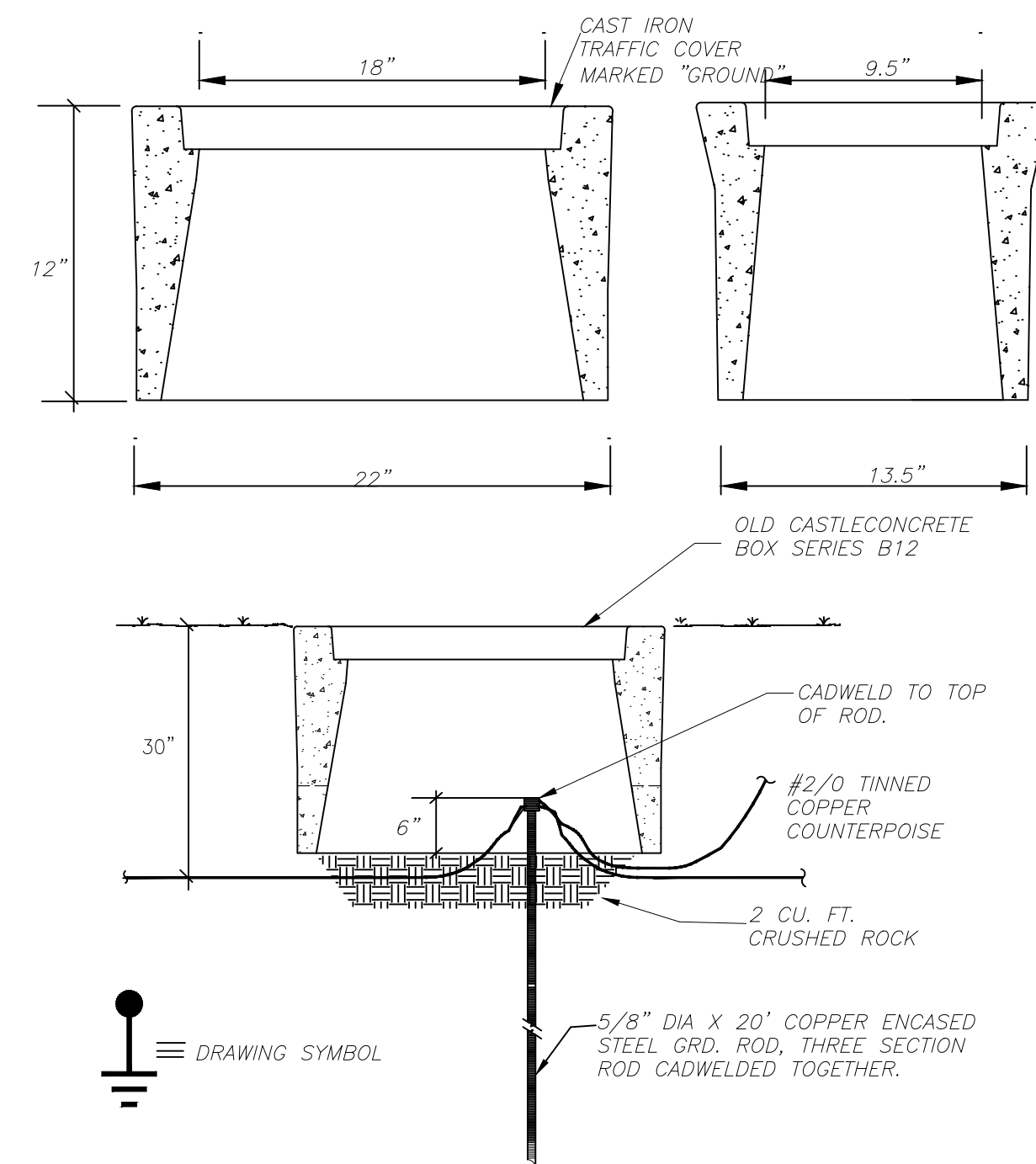
**NOTE:**  
THIS DRAWING IS A LEE  
COUNTY STANDARD DETAIL  
AND THEREFORE DOES NOT  
NEED TO BE SIGNED AND  
SEALED

	<b>LEE COUNTY SOUTHWEST FLORIDA</b>	<b>LEE COUNTY UTILITIES ENGINEERING</b>
	1500 MONROE STREET FORT MYERS, FLORIDA 33901	
<b>SHEET TITLE: DUPLEX PUMP STATION TYPICAL DETAILS</b>		
<b>TITLE: STANDARD 240V 3PH PUMP STATION</b>		
<b>PROJECT: WASTE WATER DUPLEX, TRIPLEX PUMP STA. MASTER PUMP STATION DESIGN STANDARD</b>		
<b>PROJECT NO:</b> 240V 3PH PS	<b>FILE NAME:</b> 240V 3PH	<b>SHEET NUMBER:</b> 9 OF 10



UNDERGROUND CONDUIT INSTALLATION DETAIL

ES-7



GROUND ROD INSTALLATION DETAIL

ES-8

**NOTE:**  
THIS DRAWING IS A LEE COUNTY STANDARD DETAIL AND THEREFORE DOES NOT NEED TO BE SIGNED AND SEALED

	LEE COUNTY UTILITIES ENGINEERING 1500 MONROE STREET FORT MYERS, FLORIDA 33901
	SHEET TITLE: <b>DUPLEX PUMP STATION TYPICAL DETAILS</b>
TITLE: <b>STANDARD 240V 3PH PUMP STATION</b>	PROJECT: <b>WASTE WATER DUPLEX, TRIPLEX PUMP STA. MASTER PUMP STATION DESIGN STANDARD</b>
PROJECT NO.: 240V 3PH PS	SHEET NUMBER: 10 OF 10