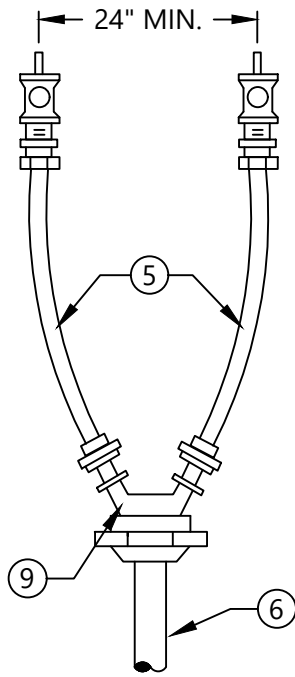
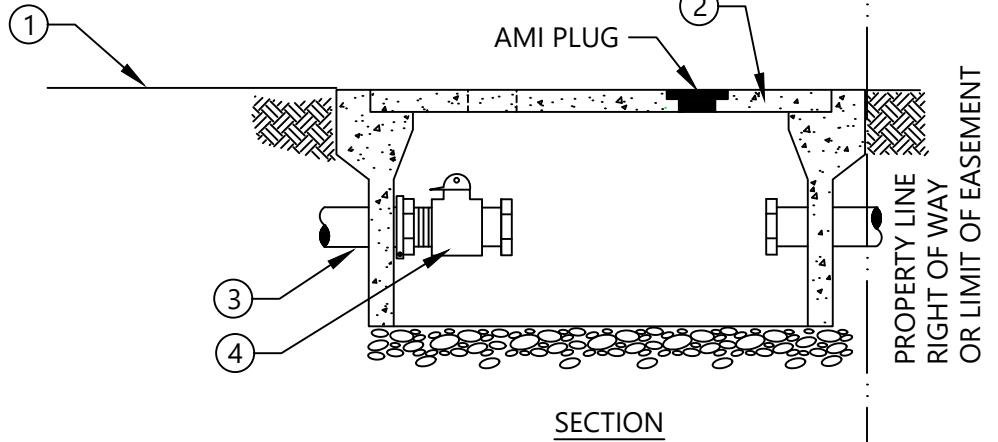


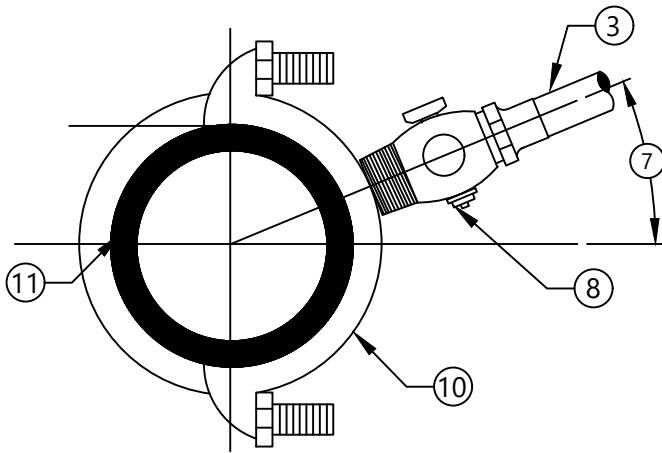
QUAZITE B001118501 METER BOX WITH
QUAZITE C00111802P050 COVER OR
CDR B001118501 METER BOX WITH CDR
C00111802P050X COVER.



PLAN VIEW



SECTION




SECTION

NOTES:

1. TUBING UNDER ROADWAY SHALL BE ENCASED IN 2" P.V.C. PIPE SCHEDULE 40 MINIMUM AND EXTEND 4 FEET BEYOND THE EDGES OF PAVEMENT OR BACK OF CURB.
2. ANY SERVICE TAPS THAT ARE APPROVED WITHIN PAVEMENT SHALL INCLUDE THE USE OF A 2" CAST IRON GATE VALE IN LIEU OF THE CORPORATION STOP.

- ①. FINISHED GRADE
- ②. METER BOX AND PREDRILLED COVER WITH PLUG TO BE LOCATED INSIDE ROW @ PROPERTY LINE
- ③. POLYETHELENE TUBING, PE 3408, 200 PSI, SDR 9, BLUE (SEE APPROVED MATERIAL LIST)
- ④. STRAIGHT CURB STOP WITH PADLOCK WINGS CONNECTED TO LEE COUNTY WATER METER (SEE APPROVED MATERIAL LIST)
- ⑤. $\frac{3}{4}$ " POLYETHELENE, PE 3408, 200 PSI, SDR 9, BLUE (SEE APPROVED MATERIAL LIST) WITH LOCATING WIRE
- ⑥. 1" POLYETHELENE TUBING, PE 3408, SDR 9, BLUE (SEE APPROVED MATERIALS LIST) WITH LOCATING WIRE
- ⑦. MIN. 22 $\frac{1}{2}$ " NOT TO EXCEED 45"
- ⑧. BALL CORPORATION STOP (SEE APPROVED MATERIAL LIST)
- ⑨. BRASS "Y" OR "T" CONNECT (SEE APPROVED MATERIAL LIST)
- ⑩. DOUBLE STRAP SERVICE SADDLE PROVIDE SPRING LOADED TAPPING SADDLE WHEN TAPPING HDPE (SEE APPROVED MATERIAL LIST)
- ⑪. WATER MAIN

	LEE COUNTY UTILITIES ENGINEERING 1500 MONROE STREET FORT MYERS, FLORIDA 33901	
	TITLE: WATER SERVICE INSTALL 5/8" THROUGH 1"	
REVISION: 2/28/24	DETAIL NO: W-05.dwg	

NOT TO SCALE