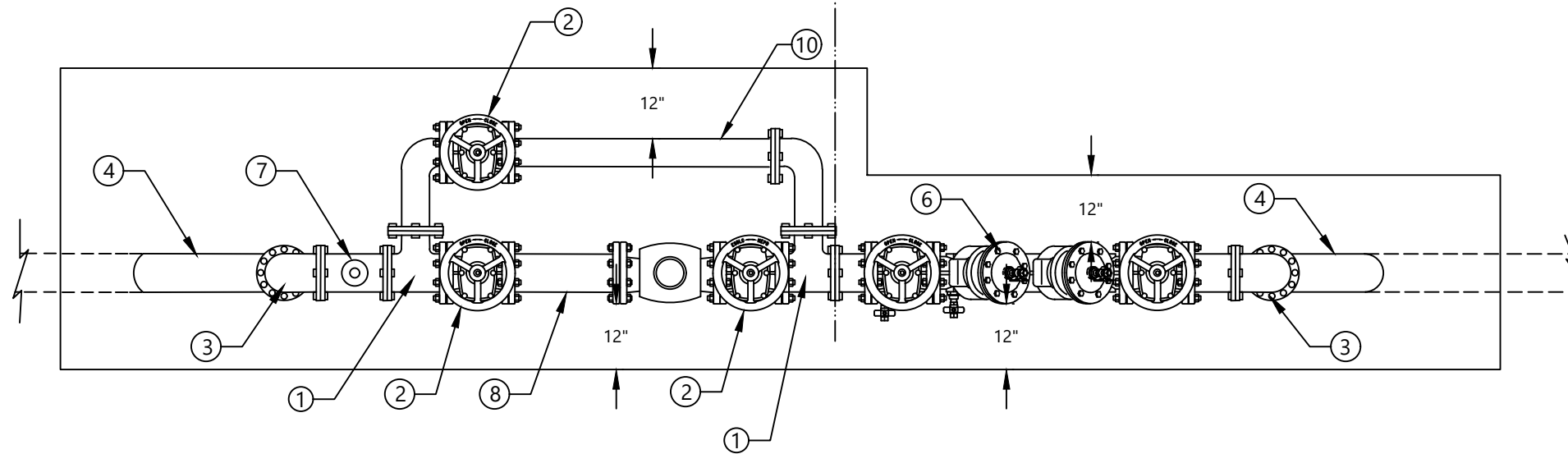


METER SIZE	SPOOL LENGTH
3"	15"
4"	20"
6"	30"
8"	40"
10"	50"



- ① TEE
- ② OS & Y GATE VALVE
- ③ 45° OR 90° BEND M.J. W/RETAINER GLANDS ABOVE GROUND FITTINGS TO BE FLANGED
- ④ ALL PIPING D.I.P.
- ⑤ FINISH GRADE
- ⑥ REDUCED PRESSURE BACKFLOW ASSY. (LEAD FREE)
- ⑦ AIR PRESSURE VALVE
- ⑧ SPOOL PIECE (VARIES BY METER SIZE, SEE TABLE)
- ⑨ METER
- ⑩ BY-PASS LINE (FULL SIZE)
- ⑪ 4" THICK CONCRETE PAD 3000 PSI MIN ADD MESH OR REBAR
- ⑫ STAINLESS STEEL OR HOT DIPPED GALVANIZED ADJUSTABLE PIPE STANDS (SEE LCU STANDARD DETAIL G-11)
- ⑬ 18" MIN. TO 24" MAX. FROM FINISH GRADE TO LOWEST POINT ALL FITTINGS
- ⑭ 20" MIN. TO 30" MAX. FROM FINISH GRADE TO LOWEST POINT ALL FITTINGS
- ⑮ D.I.P. TO POINT OF CONNECTION

PLAN VIEW

NOTES:

- A. USE COMPOUND METER IF FOR POTABLE WATER ONLY
- B. USE FIRELINE METER IF FOR POTABLE AND FIRE HYDRANTS (NON-SPRINKLERED)
- C. PAINT IN ACCORDANCE WITH LCU STANDARDS (SEE GENERAL CONDITIONS SECTION)
- D. ALL PIPING FROM CONNECTION AND THROUGH THE ASSEMBLY SHALL BE DIP, PRESSURE CLASS 350
- E. ALL PLANTING SHALL BE A MINIMUM OF 1.5' FROM THE EDGE OF SLAB AND SHALL PROVIDE A 3' ACCESS OPENING
- F. TRACER WIRE REQUIRED FROM VALVE @ WM EXITING THROUGH CONCRETE SLAB NEXT TO RISER PIPE

NOT TO SCALE



LEE COUNTY UTILITIES ENGINEERING
1500 MONROE STREET
FORT MYERS, FLORIDA 33901

TITLE: 3" OR LARGER METER AND CROSS CONNECTION CONTROL ASSY

REVISION: 3/5/24

DETAIL NO: W-09.dwg